

High-Performance Low-Profile Termination

DryerWallVent® Lasting Beauty

Well-built Aesthetics

Low profile and clean lines help enhance exterior beauty. With a heavy gauge Galvalume® and powder coated steel body, the DryerWallVent is made to last.

Ease of Installation

Engineered for a quick, perfect fit in both retrofit and new construction, total replacement time can be as low as four minutes.

Airflow Efficiency

The lightweight Galvalume® damper and clean opening maximize efficiency and exceed all code requirements. Less airflow restriction helps save on energy bills, and drying time.



DWV4K

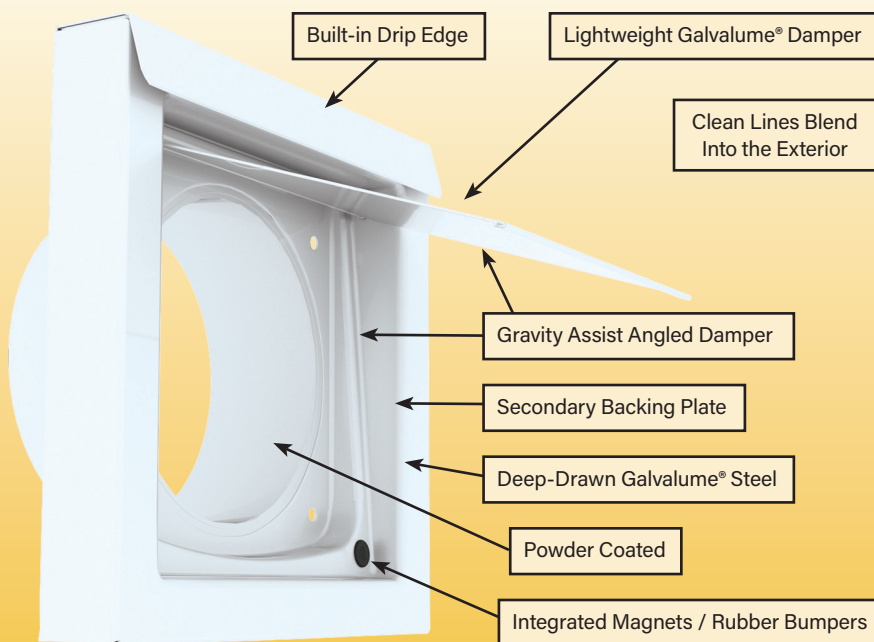
DWV4B

DWV4T

DWV4W

Efficient, Low Profile Termination

- Lightweight Damper Reduces Airflow Restriction
- Integrated Magnets Deter Bird and Rodent Intrusion
- Damper Easily Accommodates Cleaning Equipment
- Gravity-Assist Damper Provides Extra Protection



Clean Lines Blend Into the Exterior



INOVATE®

888-443-7937

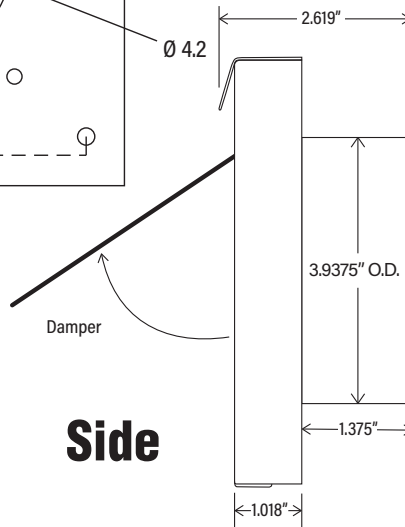
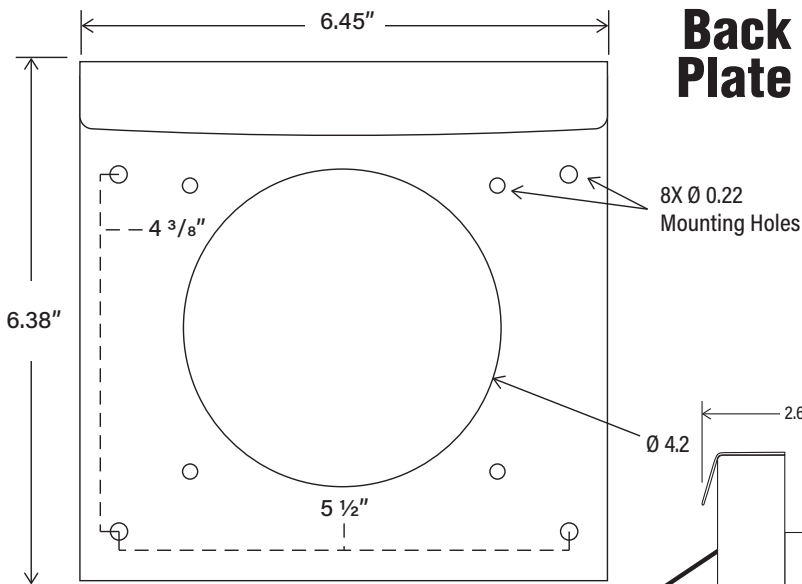
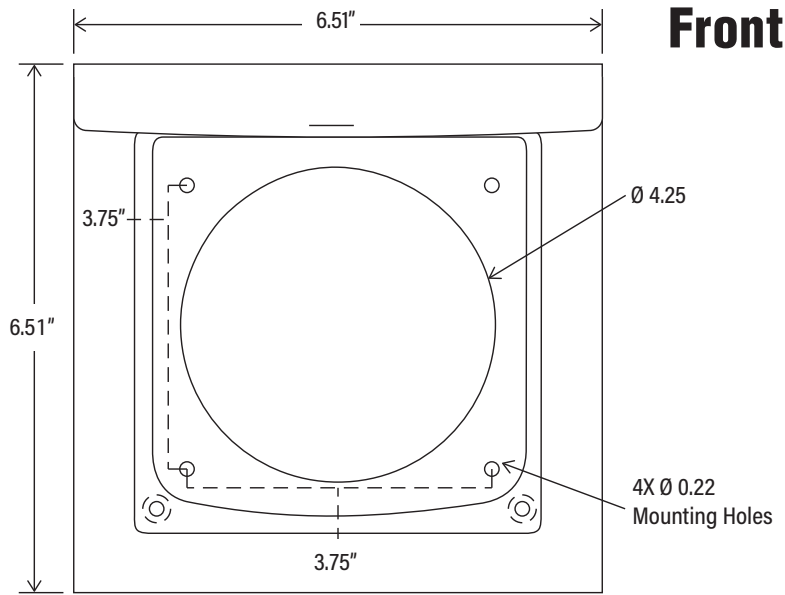
*The Dryerbox®
People*

DryerWallVent.com

250 South Central Boulevard • Suite 207 • Jupiter FL 33458-8812 • Fax: 561-745-9723



Technical Product Specifications



Model Number	Color
DWV4W	White
DWV4T	Tan
DWV4B	Brown
DWV4K	Black

Performance Data

Product Use:

- Venting Dryer Exhaust Systems Through Exterior Walls
- Complies w/ IMC 504.4 & IRC 1502.3

Materials:

- Heavy Gauge Galvalume® Steel Housing
- Lighterweight Gauge Galvalume® Damper
- Polyester TGIC Weather Resistant Powder Coating

Carton Weight:

DWV4: 10 lbs. (8/carton) | DWV-NC: 18 lbs. (16/carton)

General Information

Benefits:

- Improves Aesthetics with Flush Installation
- Installs Easily in New and Existing Construction
- Simplifies Duct Cleaning with Easy Accessibility
- Deters Bird and Rodent Entry
- Maximizes Airflow Efficiency
- Helps Minimize Dryer Cycle Times
- Extra Protection Against the Elements

Features:

- Deep Drawn Manufacturing Process
- Galvalume® & Powder Coated Steel Construction
- Lightweight Damper and Heavier Frame
- Recessed Gravity Damper & Integrated Magnets
- Integrated Secondary Back Plate with Wider Mounting Holes
- Built-in Drip Edge
- Damper Opens Freely to 110°
- Low Strength Closure Magnets
- Rubber Bumpers Support Quiet Closing Damper
- Eight Built-in Mounting Holes
- Stocked in 4 Colors: White, Tan, Brown and Black

Manufactured By

InOvate®

250 S. Central Blvd. Suite 207

Jupiter, FL 33458

Phone: (888) 443-7937

Fax: (561) 745-9723

<https://dryerwallvent.com>



Made in the USA

NOTE: If the DryerWallVent will be used to vent bathroom or non-dryer exhaust, a screen is available

USPTO Patents 11,953,230 – 12,038,202 – 12,385,656