



Rugged, Safe and Efficient Roof Venting

Flat Roof Model 486U

NEW

**Model
DJK486U**



Ultimate Water Protection Model

Laboratory tested to less than 0.01 water column inches of airflow restriction, DryerJacks are efficient. Better airflow performance is achieved through attention to engineering detail including damper curvature, hood size and collar placement.

This model DryerJack is built tough in the U.S. from heavy gauge galvanized steel.

Key DryerJack 486U Benefits

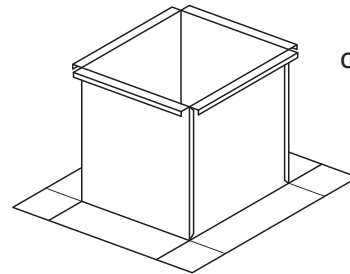
- Flapper Closure Deters Bird and Rodent Entry
- Collar and Curved Damper Maximize Airflow
- Water-tight Collar Doubles Weather Protection
- Taller Profile Provides Extra Clearance
- Easy Access For Cleaning Tools
- Built in Curb Mount for Flat Roof Installs

Advanced Weather Protection

Select the DJK486U for flat or tapered insulation roofs where curb installs are ideal or specified for the project.

Curb installs provide ultimate water penetration protection and offer the convenience of easy removal, if needed.

IMC 504.4 & IRC 1502.3 Compliant



Build your own wood curb or install a prefab unit that many sheet metal supply houses offer.



**Made in
the USA**



Model 486U Bottom View

INOVATE®

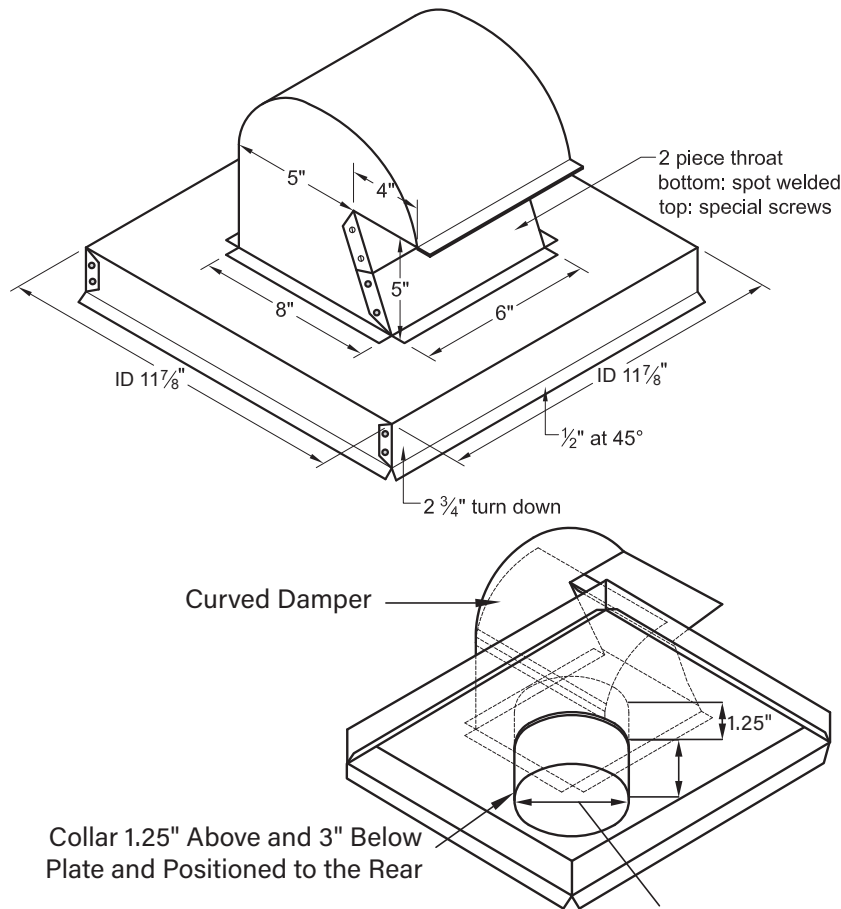
888-443-7937

*The Dryerbox®
People*

DryerJack.com

250 South Central Boulevard • Suite 207 • Jupiter FL 33458-8812 • Fax: 561-745-9723

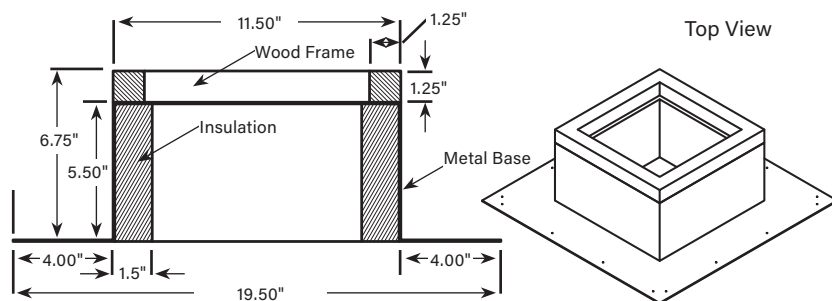
DryerJack Model 486U



Model	Applications
DJK486U	Extra clearance model with curb for flat roof
Performance Data	
For Use:	
<ul style="list-style-type: none"> • Non-restrictive dryer roof vent termination • Complies with IMC 504.4 & IRC 1502.3 	
Material:	
<ul style="list-style-type: none"> • 26 gauge Galvalume® • Single Unit Weight: 7 lbs. 	
General Information	
Benefits:	
<ul style="list-style-type: none"> • Rooftop venting can shorten the duct length • Zero back pressure lengthens appliance life • Improved efficiency shortens cycles, saves energy • Damper design deters bird and rodent entry • Access features provide easy access for cleaning and maintenance 	
Features:	
<ul style="list-style-type: none"> • Heavy gauge Galvalume® • 2 3/4" curb for flat roof elements protection • Suitable for new and retrofit construction • Watertight extended collar for secure docking 	
Manufactured By	
InOvate® 250 S. Central Blvd. Suite 207 Jupiter, FL 33458 Telephone: 561-743-8696 Fax: 561-745-9723 www.DryerJack.com	

CURB 115

Sold Separately



 **Made in the USA**

Airflow Restriction Comparison (Back Pressure Measured in Water Column Inches)



DryerJack
Model 466
0.001



DryerJack
Model 486
0.02



Low Profile
Plastic
.35



Low Profile
Metal
.30



Four Inch
Gooseneck
.45