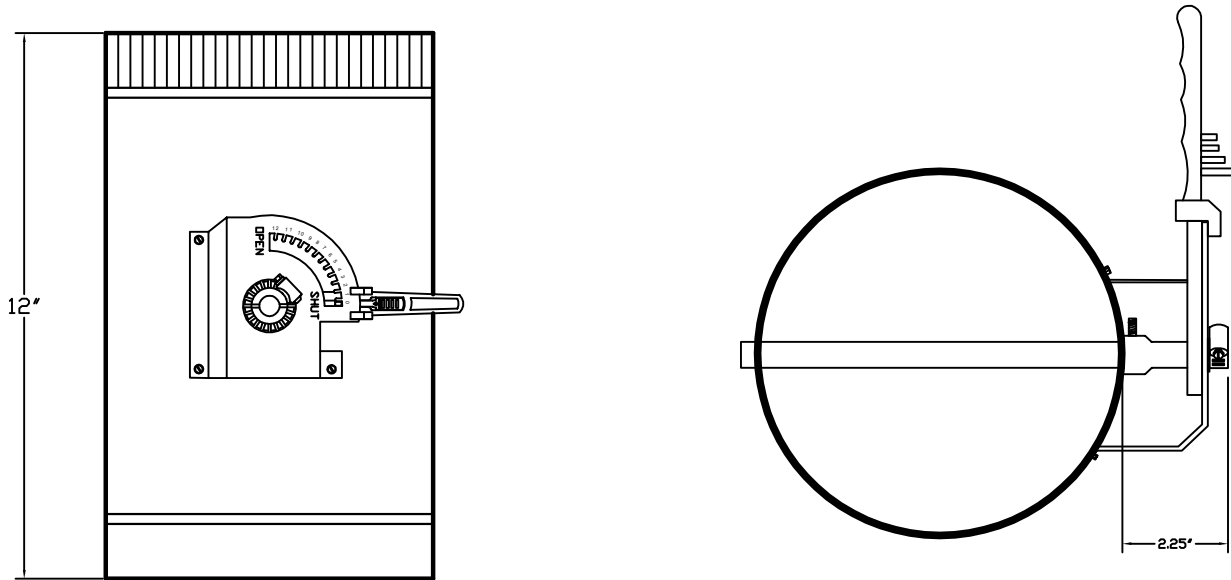


SPECIFICATION SHEET

MBD-XX Manual Balancing Damper with Locking Quadrant



SPECIFICATIONS

DIMENSIONS:

Damper Models MBD-XX are available in the following sizes: 6", 7", 8", 9", 10", 12", 14", 16", 18"

APPLICATION:

Air balancing applications having static pressures less than 2.0" w.c.

DAMPER CONSTRUCTION:

- 24 gauge steel shell
- 22 gauge steel blade
- 1/2" aluminum shaft
- Nylon bushings
- Airtight blade seals

LOCKING QUADRANT:

- Prime galvanized steel body
- Flame retardant polymer handle with spring locking mechanism
- Steel retaining ring to prevent slippage on shaft
- Stamped position markings on quadrant plate