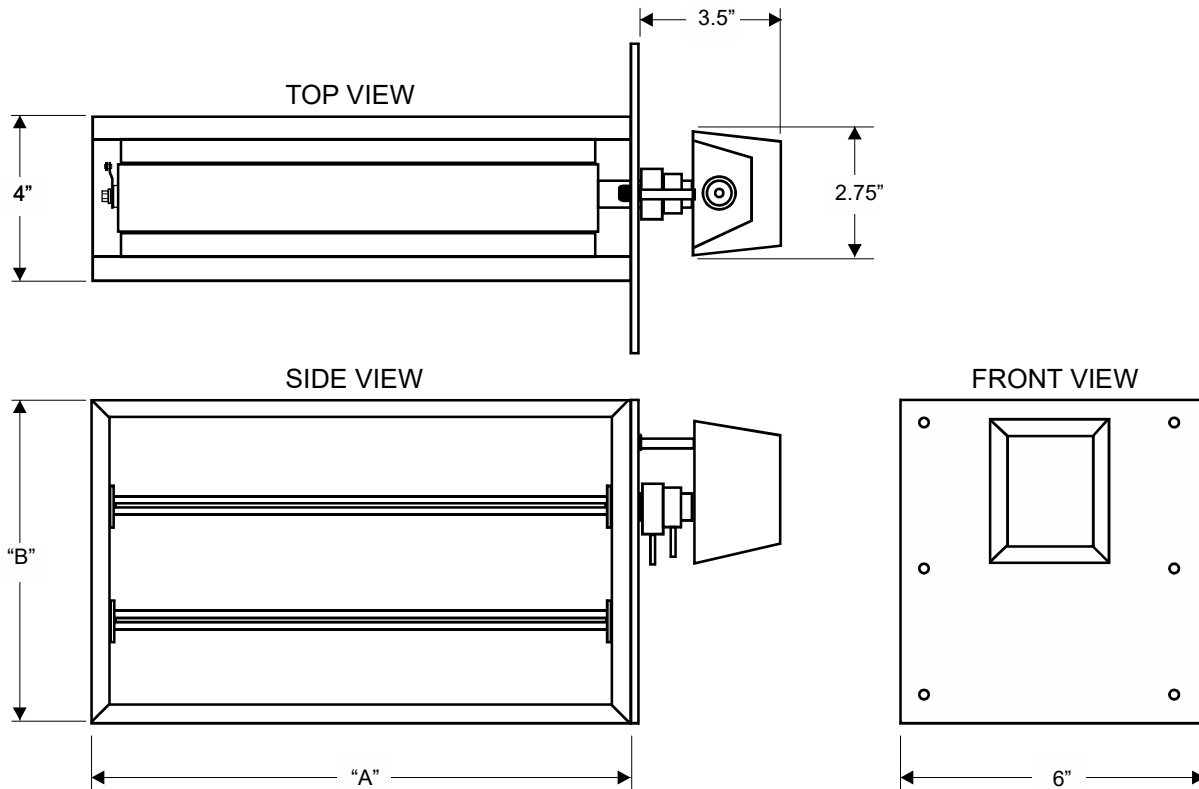


# SPECIFICATION SHEET

## HD-XXXX Rectangular, 2 Position, 2-wire, Motorized Zone Control Dampers



### SPECIFICATIONS

**DIMENSIONS:**

Damper models HD-XXXX are sized width (A) by height (B) with actuator on the (B) dimension.  
 Bottom mount models HD-XXXX-BM are sized width (A) by height (B) with actuator on the (A) dimension.  
 Actual (A) and (B) dimensions are undercut 1/4".  
 Standard sizes range from 8" x 8" up to 36" x 24" in 2" increments.

**APPLICATION:**

Compatible for zone control and other HVAC applications with static pressures less than 1.0" w.c.

**CONSTRUCTION:**

- 1/16" extruded aluminum frame
- 1/16" extruded aluminum parallel blades
- 1/16" aluminum mounting flange
- Nylon bushings
- Minimum position adjustment

**ELECTRICAL:**

- 24 Volt, 10 VA, 0.43 Amp powered closed, spring return open actuator
- Also available in powered open, spring return closed
- Motor is impedance protected with no end switches

Drawings are intended to show general, overall product dimensions and provide guidance for installation clearance. Drawings are not to scale.  
 iO HVAC Controls reserves the right to make product changes without notification or obligation.