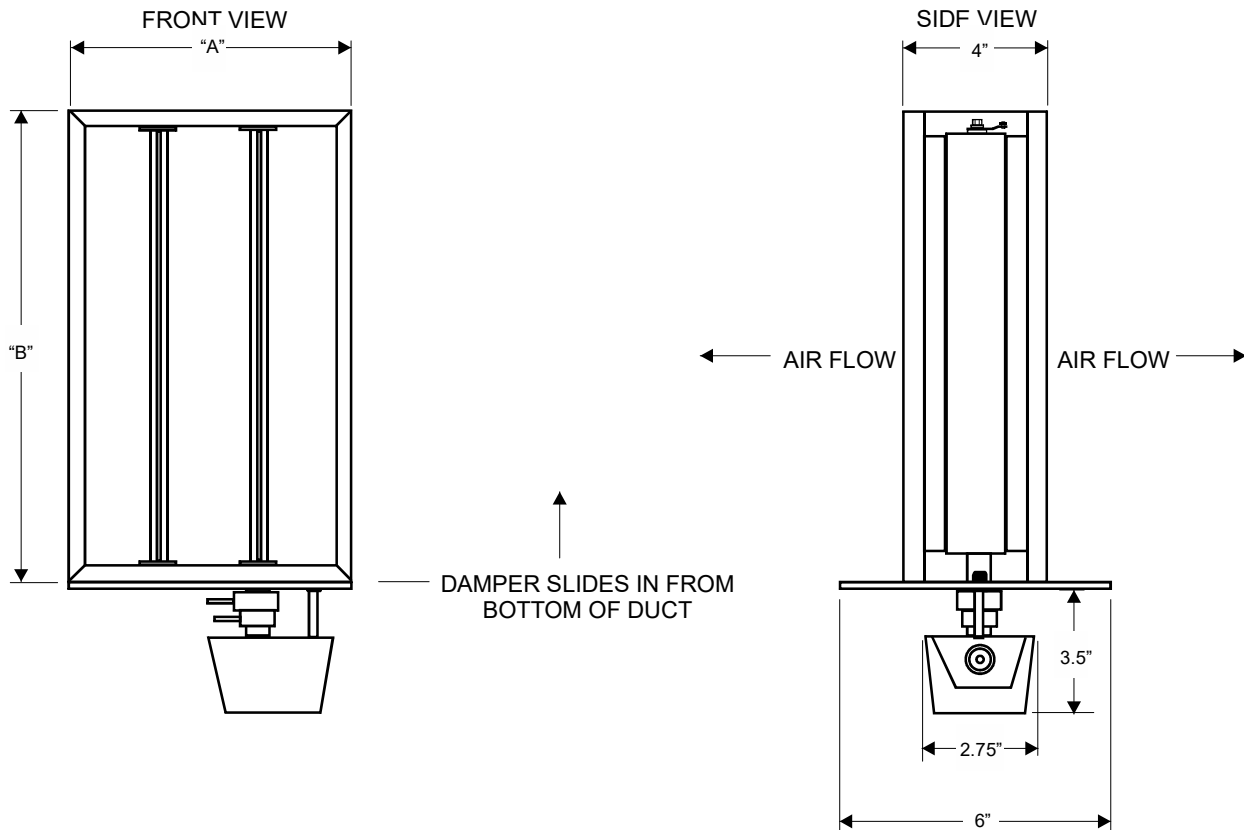


SPECIFICATION SHEET

HD-XXXX-BM Bottom Mount, Rectangular, 2 Position, 2-wire, Motorized Zone Control Dampers



SPECIFICATIONS

DIMENSIONS:

Damper models HD-XXXX-BM are sized width (A) by height (B) with actuator on the (A) dimension. Actual (A) and (B) dimensions are undercut 1/4". Standard sizes range from 8" x 8" up to 36" (A dimension) x 24" (B dimension) in 2" increments. Airflow can be right to left or left to right.

APPLICATION:

Compatible for zone control and other HVAC applications with static pressures less than 1.0" w.c.

CONSTRUCTION:

- 1/16" extruded aluminum frame
- 1/16" extruded aluminum parallel blades
- 1/16" aluminum mounting flange
- Nylon bushings
- Minimum position adjustment

ELECTRICAL:

24 Volt, 10 VA, 0.43 Amp powered closed, spring return open actuator
Also available in powered open, spring return closed
Motor is impedance protected with no end switches



Indianapolis, IN 46237

www.iohvaccontrols.com
For Technical Support Call Toll Free: 866-225-5032

IO-08-1256-103122