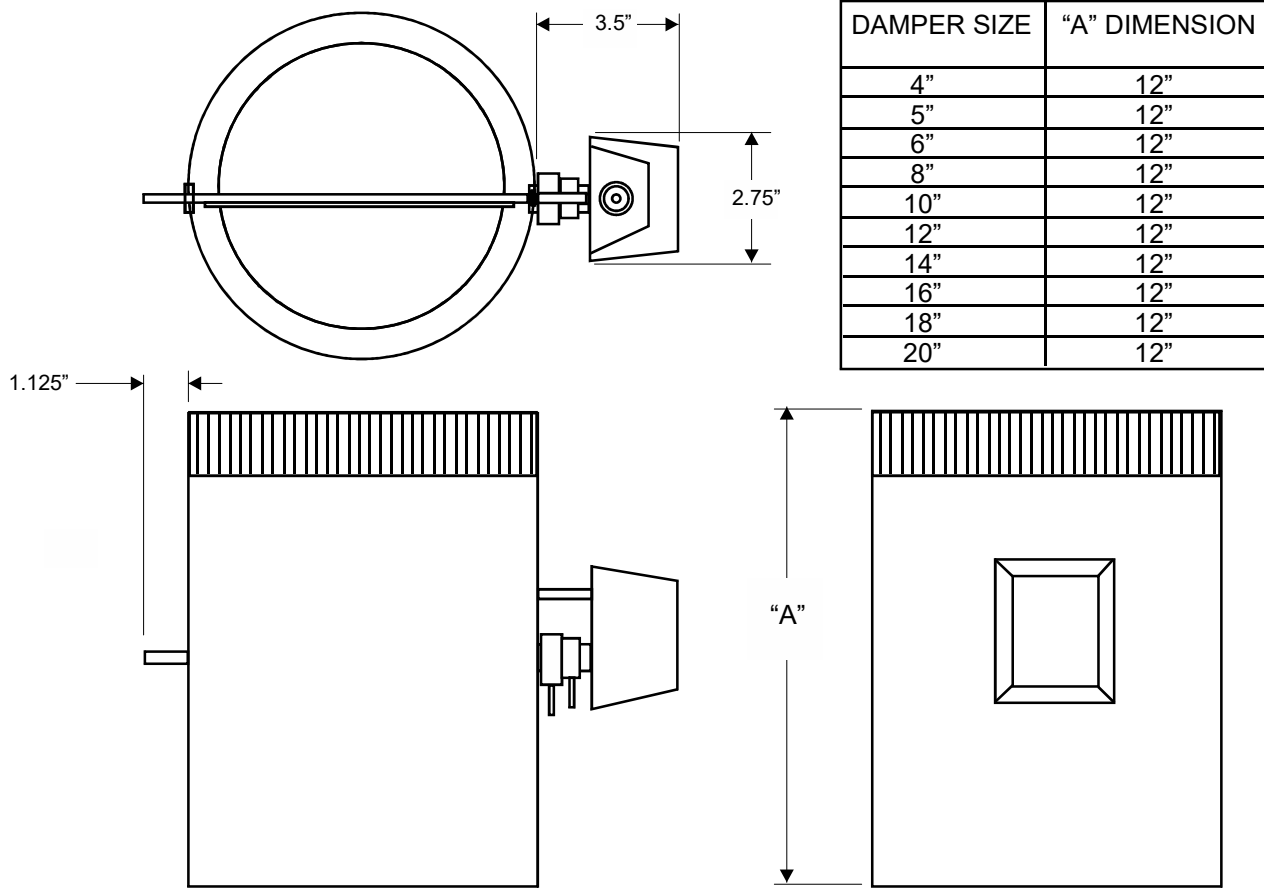


SPECIFICATION SHEET

D-XX Round, 2 Position, 2-wire, Motorized Zone Control Dampers



DAMPER SIZE	"A" DIMENSION
4"	12"
5"	12"
6"	12"
8"	12"
10"	12"
12"	12"
14"	12"
16"	12"
18"	12"
20"	12"

SPECIFICATIONS

DIMENSIONS:

Damper models D-XX are available in standard sizes from 4" to 20"

APPLICATION:

Compatible for zone control, fresh air and other HVAC applications with static pressures less than 1.0" w.c.

CONSTRUCTION:

- 24 gauge galvanized steel shell
- 20 gauge steel blade
- 5/16" aluminum shaft
- Nylon bushings
- Air tight blade seals
- Minimum position adjustment

ELECTRICAL:

- 24 Volt, 10 VA, powered closed, spring return open actuator
- Also available in powered open, spring return closed
- Motor is impedance protected with no end switches

Drawings are intended to show general, overall product dimensions and provide guidance for installation clearance. Drawings are not to scale. iO HVAC Controls reserves the right to make product changes without notification or obligation.



Indianapolis, IN 46237

www.iohvaccontrols.com
For Technical Support Call Toll Free: 866-225-5032

iO-08-1258-103122