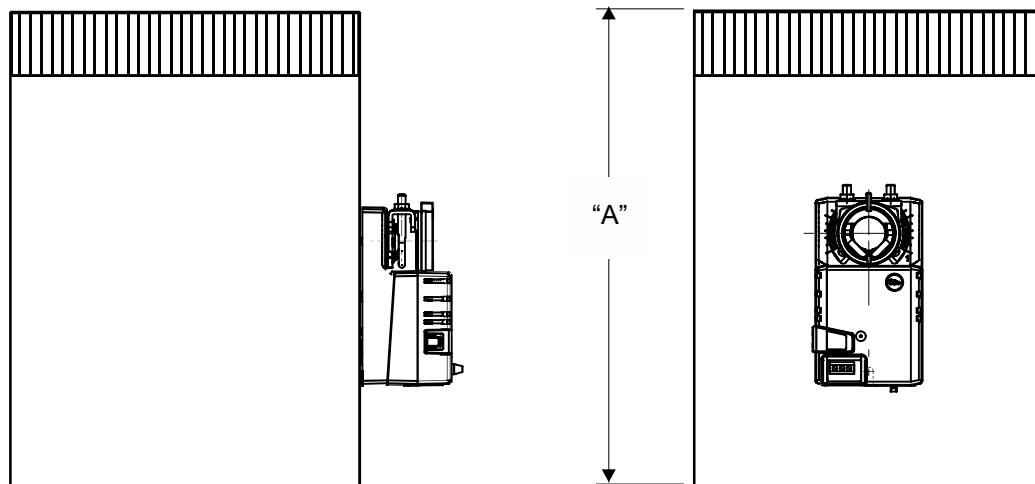


SPECIFICATION SHEET

CD-XX Round, 3-wire Floating Point Motorized Zone Control Dampers

For Carrier® and Bryant® Infinity™ and Evolution™ zoning systems

DAMPER SIZE	"A" DIMENSION
5"	10"
6"	10"
8"	10"
10"	10"
12"	10"
14"	10"
16"	10"
18"	10"
20"	10"



SPECIFICATIONS

DIMENSIONS:

Damper models CD-XX are available in standard sizes from 5" to 20"

APPLICATION:

Compatible for Carrier® and Bryant® Infinity™ and Evolution™ zone control systems.

CONSTRUCTION:

- 22 gauge steel shell
- 20 gauge steel blade
- ½" aluminum shaft
- Nylon bushings
- Air tight blade seals
- Minimum position adjustment

ELECTRICAL:

- 24 Volt, 2.1 VA
- 3-Wire
- 15 second timing
- 18 lb.-in.

Drawings are intended to show general, overall product dimensions and provide guidance for installation clearance. Drawings are not to scale. iO HVAC Controls reserves the right to make product changes without notification or obligation.



Indianapolis, IN 46237

www.iohvaccontrols.com
For Technical Support Call Toll Free: 866-225-5032

iO-08-1263-103122