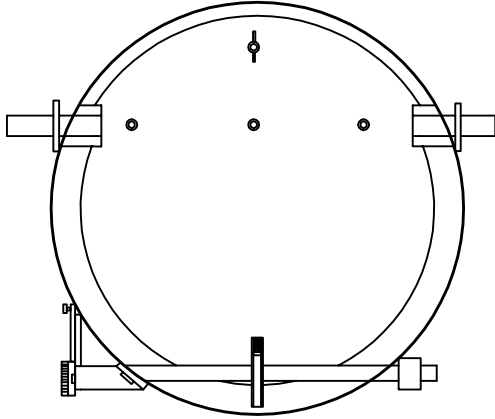


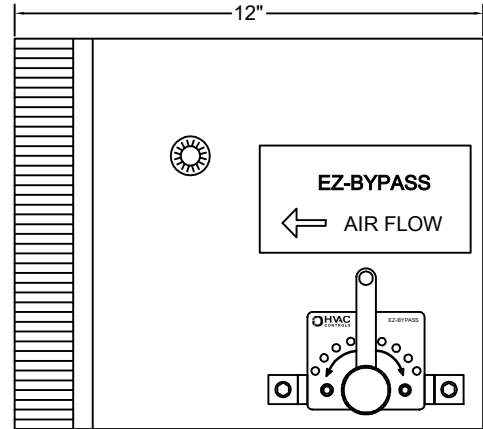
SPECIFICATION SHEET

EZ-BD-XX Barometric Bypass Damper with Easy Adjustment Lever

Back



Side



SPECIFICATIONS

DIMENSIONS:

Barometric bypass damper models EZ-BD-XX are available in the following sizes: 8", 10", 12"

APPLICATION:

Passively maintains system static pressure in zone control and other HVAC applications. Factory-calibrated at 0.4" w.c., but can be adjusted in either direction with the turn of a lever.

Damper can be mounted horizontally or vertically in the direction of airflow.

DAMPER CONSTRUCTION:

- 22 gauge steel shell
- 20 gauge steel blade
- 1/2" and 3/8" aluminum shafts
- Nylon bushings
- Airtight blade seals
- ABS plastic adjustment bracket and pulley mechanism

RECOMMENDED SIZING BASED ON COOLING TONNAGE:

- 2 Tons = 8"
- 3 Tons = 10"
- 4-5 Tons = 12"