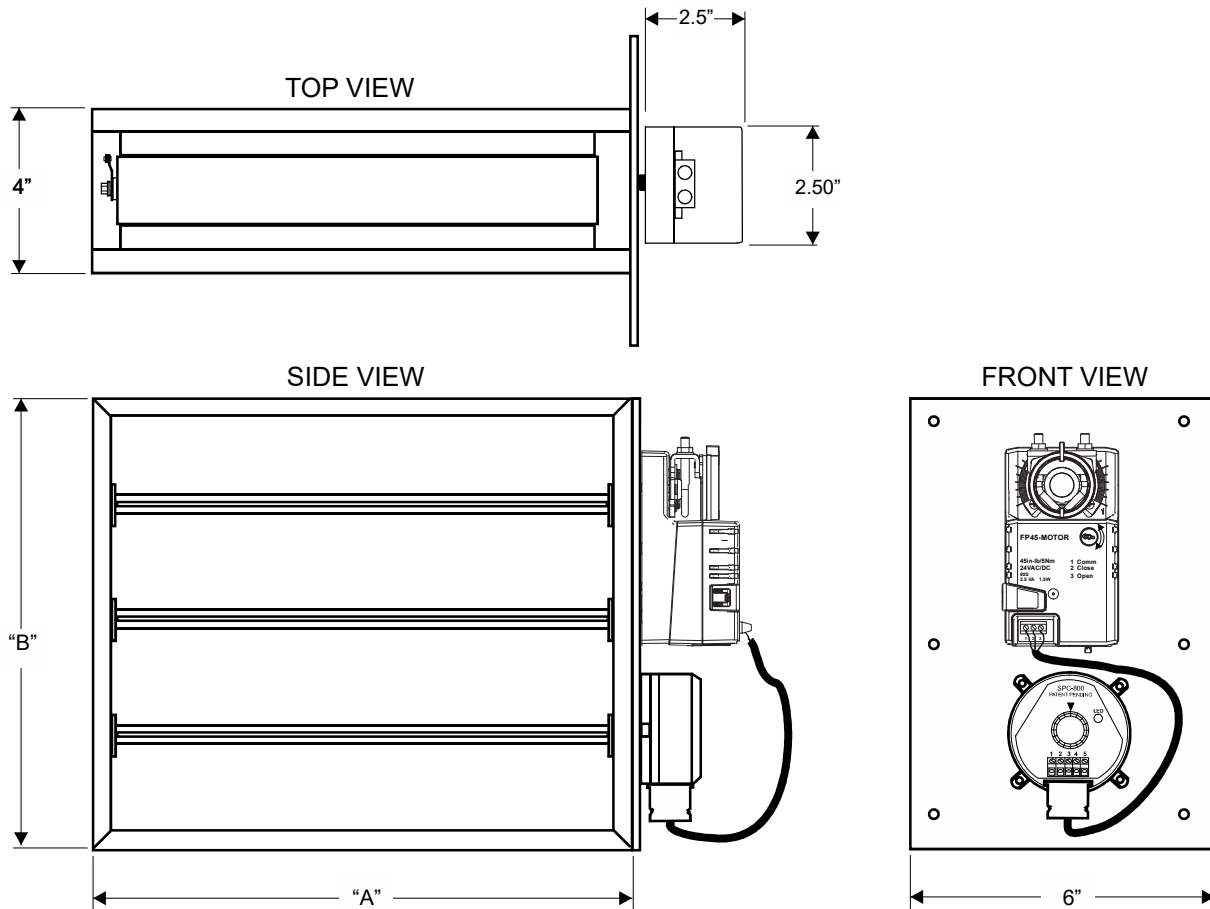


EB-XXXX Rectangular, Electronic Bypass Damper Specifications



SPECIFICATIONS

DIMENSIONS:

Damper models EB-XXXX are sized width (A) by height (B) with actuator on the (B) dimension. Actual (A) and (B) dimensions are undercut 1/4". Standard sizes range from 8" x 8" up to 36" x 24" in 2" increments.

APPLICATION:

Compatible for zone control and other HVAC applications in maintaining system static pressure from 0.08" to 1.20" W.C.

CONSTRUCTION:

- 1/16" extruded aluminum frame
- 1/16" extruded aluminum parallel blades
- 1/16" aluminum mounting flange
- Nylon bushings
- Minimum position adjustment
- 2.0" W.C. maximum pressure

STATIC PRESSURE CONTROL:

- Factory mounted on "B" dimensions 14" and up
- 1/4" I.D. flex hose connection
- Tubing and plastic pressure probe included
- Solid state control design
- Built-in LED for damper direction
- 0.08" to 1.20" W.C. pressure range

ELECTRICAL:

- 24 VAC, 2.5VA, 3-wire floating
- point actuator, 45 in-lb, 90 second
- timing, 90° stroke

Drawings are intended to show general, overall product dimensions and provide guidance for installation clearance. Drawings are not to scale. iO HVAC Controls reserves the right to make product changes without notification or obligation.



Indianapolis, IN 46237

www.iohvaccontrols.com
For Technical Support Call Toll Free: 866-225-5032

iO-08-1274-102122