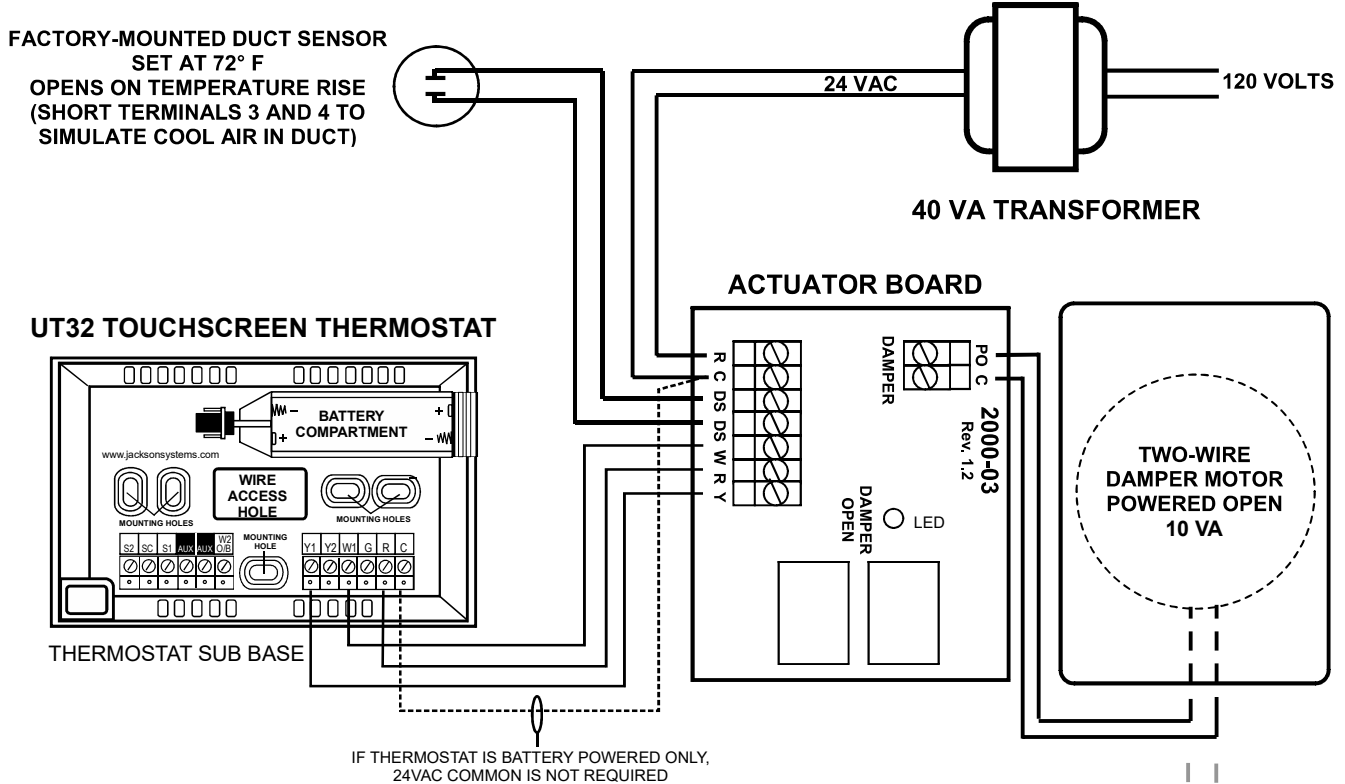


D-Z1-XX & D-Z1-XXXX

Two Position Stand-Alone Zone Damper Assembly



SEQUENCE OF OPERATION:

The automatic changeover duct sensor (located on the Zone One™ damper) senses whether there is warm air or cool air in the branch supply duct. If the Zone One™ thermostat is calling for cooling and the duct sensor determines there is cool air in the duct, the damper will open; otherwise, the damper will remain closed. If the Zone One™ thermostat is calling for heating and the duct sensor determines there is warm air in the duct, the damper will open; otherwise, the damper will remain closed.

The green LED located on the actuator board indicates when the damper is in the open position.

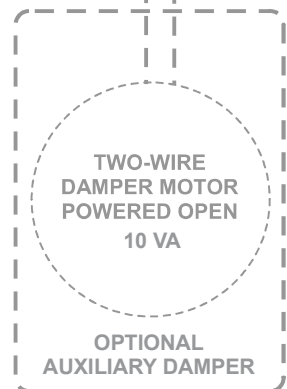
APPLICATION AND INSTALLATION NOTES:

The UT32 thermostat can control up to three Zone One dampers wired in parallel.

If Zone One™ dampers are used to zone more than 30% of the area served by the HVAC system, a bypass damper may be required to maintain constant system static pressure.

The HVAC unit should be controlled by its own space thermostat or discharge air controller. When a space thermostat is used to control the HVAC equipment, it is important that at least 30% of the system load be controlled by this thermostat. The HVAC unit space thermostat must never be located in an area served by a Zone One™.

A suction line freeze stat (FS-38) should be installed to protect the equipment in the event the suction line temperature drops too low (wire in series with cooling control circuit).



D-Z1-XX & D-Z1-XXXX

Two Position Stand-Alone Zone Damper Assembly

Thermostat Setup

The Zone One, two position, stand-alone damper assembly can be controlled with the UT32 Universal Touchscreen Thermostat. Refer to the Installer and User Manuals included with the thermostat for proper configuration based on application requirements.

It is highly recommended that the thermostat be placed in the Auto Changeover mode of operation for proper damper control of both heating and cooling calls.

Remember, the thermostat does not control the HVAC equipment and only controls the zone damper as per the sequence of operation of the Zone One system.