



Specification Sheet

Motorized Balancing Damper Retrofit Kit

BAL-URET-KIT

APPLICATION:

The BAL-URET-KIT is a retrofit kit designed to convert a manual balancing damper into a fully adjustable, electronic balancing damper that can be remotely operated using the BAL-C, hand-held positioning controller. The damper actuator is accessed through a RJ11 connector cable terminating at an optional wall box, round ceiling plate or diffuser connector.

The retro kit is comprised of only three parts making it easy to install on most manual balancing dampers. The kit includes an actuator coupling, anti-rotation bracket and a 12 volt DC actuator with mounting bracket.

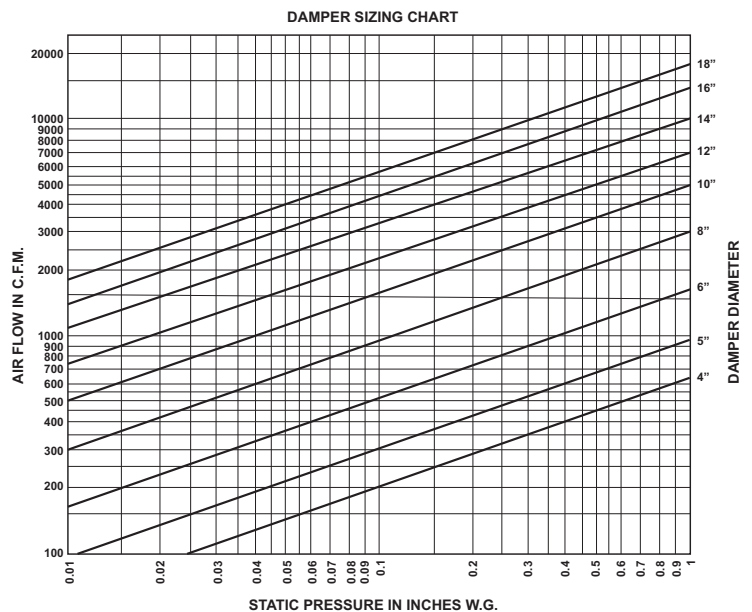
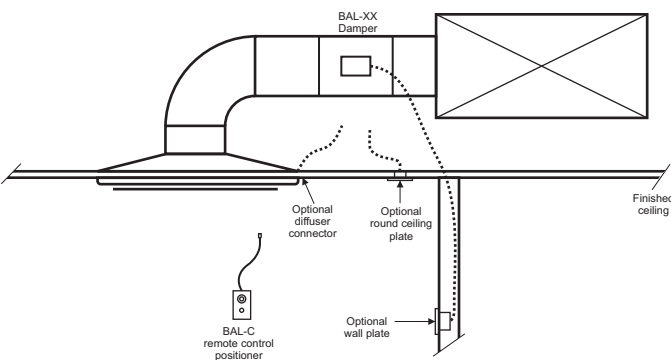
The actuator coupling is designed to fit a 1/2" round, 3/8" round or 3/8" square damper shaft.

The anti-rotation bracket allows the actuator to be mounted above the balancing damper stand-off and provides a maximum mounting height of 8" above the damper shell.



SPECIFICATIONS:

Shaft:	1/2" round, 3/8" round or square
Mounting Bracket Length:	8"
Actuator:	Factory mounted, 9 volt, gear driven, fail in place motor with dual RJ11 connectors
Warranty	One Year



ACCESSORIES

BAL-C REMOTE CONTROL POSITIONER

Hand-held remote control positioner equipped with 9 volt power supply. Operates the damper actuator via a RJ11 cable that plugs into a wall box, round ceiling plate or diffuser connector. Controller has a calibrated damper position dial and power activation button and battery status LED.



BAL-C

BAL-PORT

Feed-through in-line coupler modular jack. (6-position 6-conductor) Connects two modular cords; Pin 1 to Pin 1. Compatible with RJ11 jacks and plugs. Can also be used as a diffuser connector or with wall plates.



BAL-PORT

BAL-PORT-PARA

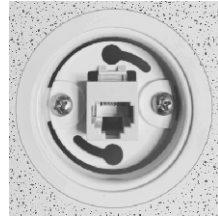
The BAL-PORT-PARA must be used whenever paralleling BAL-XX or BAL-XXXX dampers together. A BAL-W line cord would be plugged into the auxiliary port of the main actuator and into the BAL-PORT-PARA. Another BAL-W line cord would be plugged into the other end of the BAL-PORT-PARA and into the next actuator. This provides synchronized positioning of both actuators. Up to four dampers can be wired in parallel.



BAL-PORT-PARA

BAL-RP ROUND RJ11 CEILING TILE ANCHORING SYSTEM

- Used to plug-in BAL-C hand held remote control positioner for below ceiling adjustment of electronic balancing damper
- High impact injection molded components with feed-through, in-line RJ11 coupler included
- Twist and turn access cap protects and conceals RJ11 port
- Easy to install in existing ceiling tile
- Adjustable mounting tabs lock in place when securing to back of tile



BAL-RP

BAL-W SILVER SATIN LINE CORD

Made of the finest PVC material. Cords are RoHS approved and come with RJ11 connectors.

Lengths:

- BAL-W7 - 7'
- BAL-W14 - 14'
- BAL-W25 - 25'



BAL-W

WHITE PLASTIC WALL PLATES (BAL-PP)

Configured to fit single or standard double gang outlet box. Rugged and durable construction. Used with BAL-PORT modular snap-in connectors. UL Listed



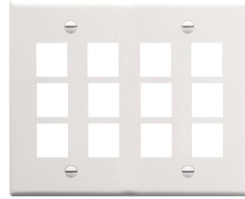
BAL-PP1

BAL-PP2

BAL-PP3

BAL-PP4

BAL-PP6



BAL-PP12



EXAMPLE OF DOUBLE GANG JUNCTION BOX (BY OTHERS)

STAINLESS STEEL WALL PLATES (BAL-SP)

Configured to fit standard single gang outlet box. Offers a flush face surface. Used with BAL-PORT modular snap-in connectors.



BAL-SP1

BAL-SP2

BAL-SP3

BAL-SP4

BAL-SP6

SUGGESTED SPECIFICATION:

Furnish and install as shown on plans or in accordance with schedules, remote control operated balancing dampers BAL-XX round or BAL-XXX rectangular as manufactured by iO HVAC Controls, LLC, Indianapolis, IN 46237. (www.iohvaccontrols.com) Damper actuators shall be powered by a 9 volt battery operated remote control positioner (BAL-C) that plugs into a RJ11 connector located on a ceiling plate, wall box or diffuser. Refer to accessory options as specified and available from iO HVAC Controls, LLC.



www.iohvaccontrols.com
866-225-5032