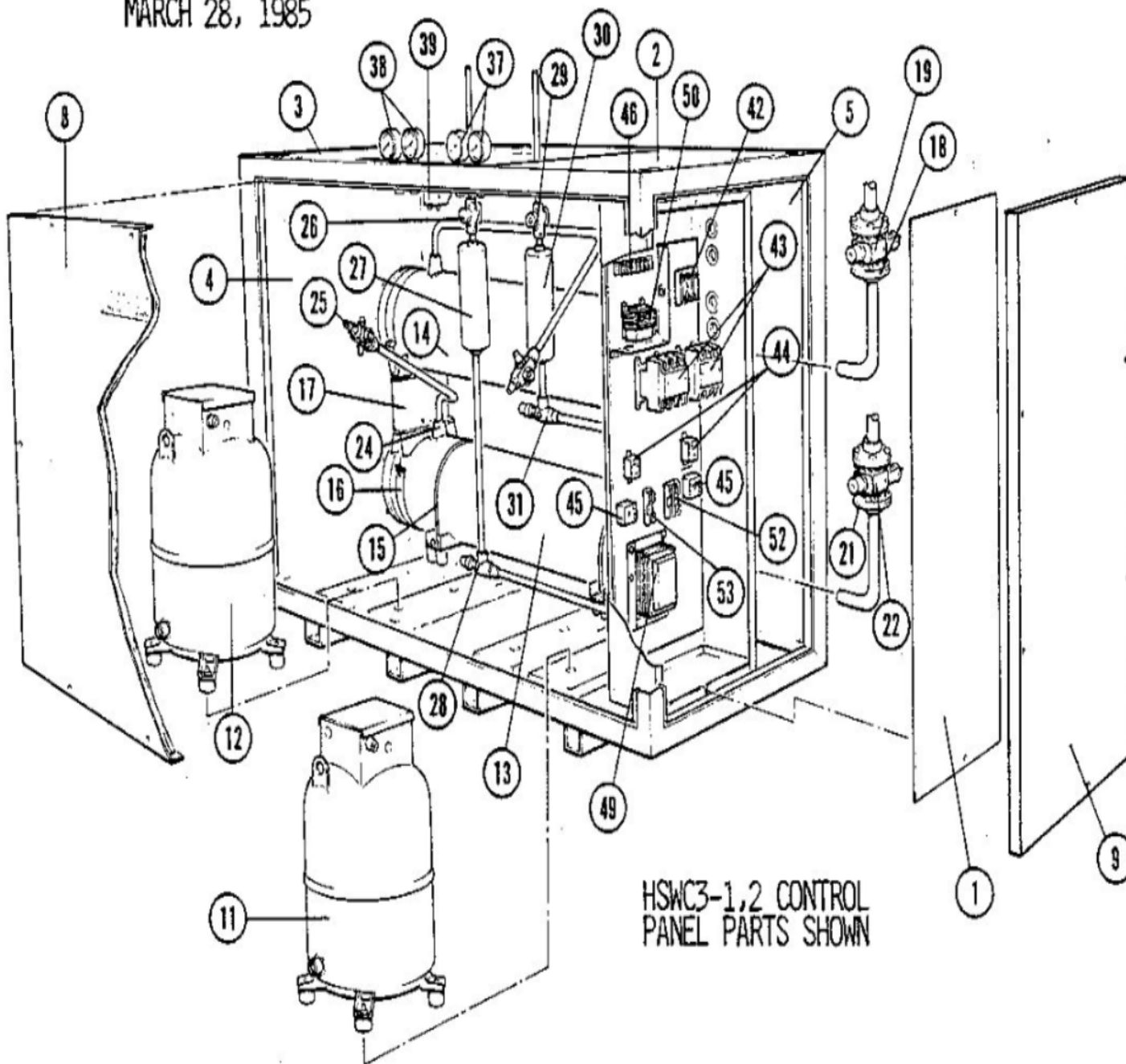
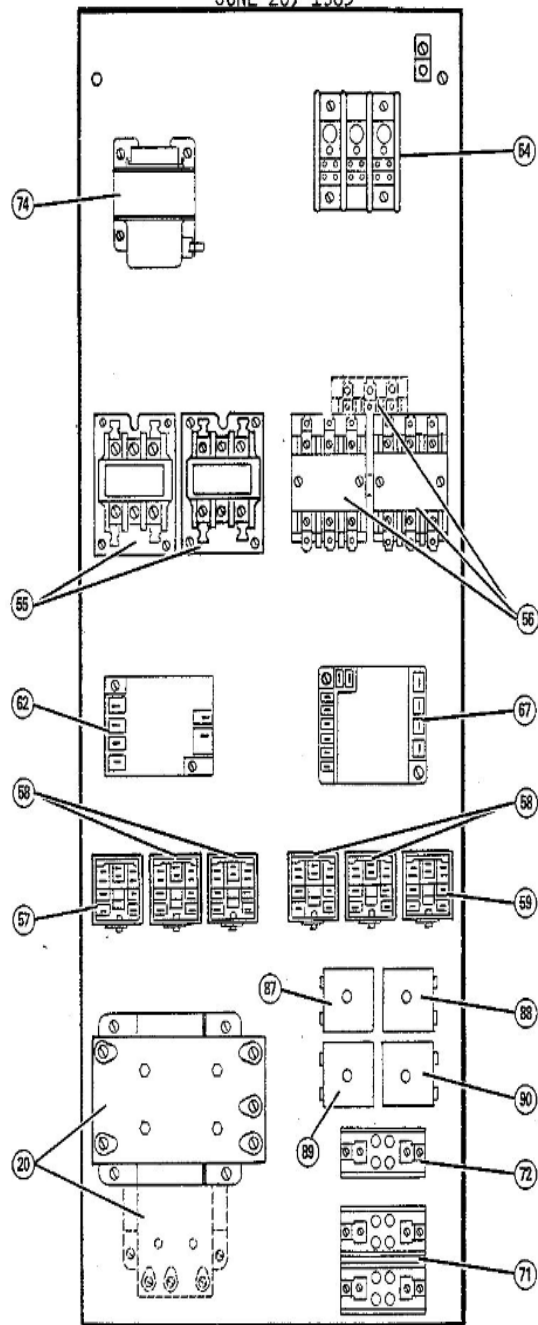


HSWC3/31/32 SERIES
MARCH 28, 1985



HSWC3-3 & 31732-2
CONTROL PANEL PARTS
JUNE 20, 1985



Revision Number - 3

CABINET PARTS

Callout	Name	Quantity	Description
1	COVER-CONTROL BOX Cat #: LB-27439C Model/Part #: LB-27439C	1	COVER-CONTROL BOX
2	PANEL Cat #: LB-27421C Model/Part #: LB-27421C	1	TOP-ELECTRICAL INLET
3	PANEL-TOP Cat #: LB-27625B Model/Part #: LB-27625B	1	PANEL-TOP
4	PANEL Cat #: LB-27623B Model/Part #: LB-27623B	1	END (NAMEPLATE END)
5	PANEL Cat #: LB-27804A Model/Part #: LB-27804A	1	SIDE
8	PANEL Cat #: LB-27803A Model/Part #: LB-27803A	1	SIDE (W/LENNOX LOGO)
9	PANEL Cat #: LB-27623B Model/Part #: LB-27623B	1	END (NAMEPLATE END)

CONTROL PANEL PARTS

Callout	Name	Quantity	Description
	FUSE Cat #: 84F40 Model/Part #: 84F4001	2	"FNQ TYPE,1.5AMP,500V(460V UNITS ONLY)"
	FUSE Cat #: 66247 Model/Part #: P-8-1674	1	"C TYPE,2.5AMP,250V"
	FUSE Cat #: 38418 Model/Part #: P-8-8888	1	"FRN TYPE,3.2AMP,250V(460 & 575V UNITS O
20	TRANSFORMER Cat #: 20C68 Model/Part #: 20C6801	1	"240/480V PRI,120/240V SEC, 250VA L/FUSE
20	TRANSFORMER Cat #: 20C69 Model/Part #: 20C6901	1	"600V PRI,120/240V SEC,250VA L/FUSE(575V

Callout	Name	Quantity	Description
20	TRANSFORMER Cat #: 68537 Model/Part #: P-8-5859	1	"208/230V PRI,115V SEC,350VA L/FUSE(208/
54	BLOCK-TERMINAL Cat #: 72F88 Model/Part #: 72F8801	1	BLOCK, TERMINAL
55	CONTACTOR Cat #: 38393 Model/Part #: P-8-7736	2	"3PDT,24V"
56	CONTACTOR-COMPR Cat #: 38377 Model/Part #: P-8-7707	1	"3PDT,110-120V"
57	RELAY Cat #: 36A77 Model/Part #: P-8-11112	1	"3PDT,24V"
58	RELAY Cat #: 36A77 Model/Part #: P-8-11112	1	"3PDT,24V"
59	RELAY Cat #: 87185 Model/Part #: P-8-10666	1	"SPDT,120V"
62	PROTECTOR-MOTOR Cat #: 28F85 Model/Part #: 28F8501	1	PROTECTOR-MOTOR
67	RELAY Cat #: 31F31 Model/Part #: 31F3101	1	PROTECTOR-MOTOR
71	BLOCK-FUSE Cat #: 84F49 Model/Part #: 84F4901	1	(460V UNITS ONLY)
71	BASE-FUSE Cat #: 59179 Model/Part #: P-8-4394	1	(460 & 575V UNITS ONLY)
72	BLOCK-FUSE Cat #: 85A6701 Model/Part #: 85A6701	1	(208/230V UNITS ONLY)
72	BASE-FUSE Cat #: 59179 Model/Part #: P-8-4394	1	(460 & 575V UNITS ONLY)
74	TRANSFORMER Cat #: 13H28 Model/Part #: 75A7901	1	"208/230V PRI,24V SEC,50VA W/FUSE"
87	RELAY-DELAY Cat #: 51A96 Model/Part #: 51A9601	1	"SPST,24V,180SEC DELAY"
88	INTERLOCK-COMP Cat #: 51A98 Model/Part #: 51A9801	1	"SPST,24V,600SEC DELAY"
89	RELAY	1	"SPST,24V,360SEC

Callout	Name	Quantity	Description
	Cat #: 51A97 Model/Part #: 51A9701		DELAY"

COOLING PARTS

Callout	Name	Quantity	Description
	HEATER-CRANKCASECOMP-INTERNAL Cat #: Model/Part #:	2	
	SWITCH-HI PRESS Cat #: 11G2401 Model/Part #: 11G2401	2	CUTOUT 300PSIG
	VALVE-SERVICE Cat #: 23F17 Model/Part #: 23F1701	1	SUCTION LINE TO COMP #2
	MOUNT PKG-COMP Cat #: 27G44 Model/Part #: 27G4401PR	2	MOUNT PKG-COMP
	THERMOSTAT Cat #: 46F96 Model/Part #: 46F9601	1	DISCHARGE-#2
	GASKET Cat #: 48C36 Model/Part #: 48C3601	1	CONDENSER-INLET END
	GASKET Cat #: 48C37 Model/Part #: 48C3701	1	CONDENSER-OUTLET END
	GASKET Cat #: 52A22 Model/Part #: 52A2201	2	FLANGE-WATER OUTLET LINE FROM COND #2
	THERMOSTAT Cat #: 81A77 Model/Part #: 81A7701	1	DISCHARGE-#1
	GROMMET Cat #: 57817 Model/Part #: P-8-1026	2	THRU CABINET FOR PRESS RELIEF LINES
	SWITCH-LO PRESS Cat #: 87265 Model/Part #: P-8-10978	2	LOSS OF CHARGE
	CAP-SEAL Cat #: 66817 Model/Part #: P-8-1401	2	FITTING-PRESSURE TAP
	VALVE CORE Cat #: 66820 Model/Part #: P-8-1897	4	VALVE, CORE 8075910047
	CAP-SEAL Cat #: 58114 Model/Part #: P-8-3187	4	CAP, BRASS

Callout	Name	Quantity	Description
	BUSHING Cat #: P-8-5528 Model/Part #: P-8-5528	2	"REDUCER-7/8"" TO 5/8""
	BUSHING Cat #: P-8-5530 Model/Part #: P-8-5530	2	"REDUCER-1-1/8"" TO 7/8""
	MOUNT PKG-COMP Cat #: 69214 Model/Part #: PR-312	2	MOUNT PKG-COMP
11	COMPRESSOR Cat #: 88C2301 Model/Part #: 88C2301	1	"#1-11TON,200-230/60/3,LENNOX"
11	COMPRESSOR Cat #: 88C24 Model/Part #: 88C2401	1	"#1-11TON,460/60/3,LENNOX"
11	COMPRESSOR Cat #: 88C25 Model/Part #: 88C2501	1	"#1-11TON,575/60/3,LENNOX"
12	COMPRESSOR Cat #: 60L06 Model/Part #: 33F6501	1	"#2-11TON,460/60/3,LENNOX"
12	COMPRESSOR Cat #: 60L05 Model/Part #: 33F6601	1	"#2-11TON,200-230/60/3,LENNOX"
12	COMPRESSOR Cat #: 60L07 Model/Part #: 33F6701	1	"#2-11TON,575/60/3,LENNOX"
13	CONDENSER Cat #: 52A01 Model/Part #: 52A0101	1	#1
14	CONDENSER Cat #: 52A01 Model/Part #: 52A0101	1	#1
15	BRACKET Cat #: 52A0301 Model/Part #: 52A0301	2	CONDENSER #1
16	BRACKET Cat #: 52A0201 Model/Part #: 52A0201	4	CONDENSERS #1 & #2
17	BRACKET Cat #: LB-27046D Model/Part #: LB-27046D	2	COND #1 TO COND #2
18	FLANGE Cat #: 52A09 Model/Part #: 52A0901	2	WATER OUTLET LINE FROM COND #2
19	VALVE-WATER Cat #: 75A7501 Model/Part #: 75A7501	1	WATER OUTLET LINE FROM COND #2

Callout	Name	Quantity	Description
21	FLANGE Cat #: 52A09 Model/Part #: 52A0901	2	WATER OUTLET LINE FROM COND #2
22	VALVE-WATER Cat #: 75A7501 Model/Part #: 75A7501	1	WATER OUTLET LINE FROM COND #2
24	VALVE-RELIEF Cat #: 56A67 Model/Part #: 56A6701	2	VALVE-RELIEF
25	VALVE-SERVICE Cat #: 38137 Model/Part #: P-8-7867	2	DISCHARGE LINE
26	VALVE-REFRIG Cat #: 52A15 Model/Part #: 52A1501	1	LIQUID DISCHARGE LINE FROM COND #2
27	DRIER Cat #: 52A17 Model/Part #: 52A1701	1	LIQUID DISCHARGE LINE FROM COND #2
28	VALVE-SERVICE Cat #: 67118 Model/Part #: P-8-2607	1	LIQUID DISCHARGE LINE FROM COND #2
29	VALVE-REFRIG Cat #: 52A15 Model/Part #: 52A1501	1	LIQUID DISCHARGE LINE FROM COND #2
30	DRIER Cat #: 52A17 Model/Part #: 52A1701	1	LIQUID DISCHARGE LINE FROM COND #2
31	VALVE-SERVICE Cat #: 67118 Model/Part #: P-8-2607	1	LIQUID DISCHARGE LINE FROM COND #2

Note:

There are no technical notes for this product.