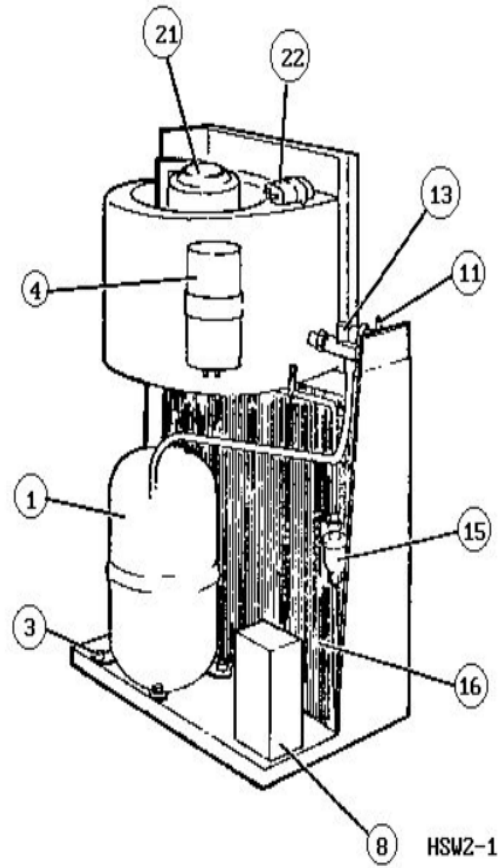


# HSW2A & HSW7A Series

January 13, 1986



Revision Number - 0

## PARTS LISTING

Callout	Name	Quantity	Description
	CAP TUBE ASSY Cat #: 68553 Model/Part #: 8-6-3404C	1	CAP TUBE
	HOUSING-BLOWER Cat #: LB-43981A Model/Part #: LB-43981A	1	HOUSING-BLOWER
	BRACKET-MTR MTG Cat #: 86425 Model/Part #: LB-8889	3	MOTOR FRAME SA FS-12
	WHEEL-BLOWER Cat #: 21708 Model/Part #: P-5-178	1	"1/2" BORE, 10" X 7-1/2"
	VALVE-RELIEF Cat #: P-8-1050 Model/Part #: P-8-1050	1	(OPTIONAL)
	CAP-SEAL Cat #: 66817 Model/Part #: P-8-1401	1	FITTING-PRESSURE TAP
	VALVE CORE Cat #: 66820 Model/Part #: P-8-1897	1	VALVE, CORE 8075910047
	CAP-SEAL Cat #: 58114 Model/Part #: P-8-3187	1	CAP, BRASS
	RELAY Cat #: 31960 Model/Part #: P-8-3250	1	"CONDUIT-SPST, 24V"
	COUPLING Cat #: P-8-3547 Model/Part #: P-8-3547	1	"BULKHEAD, 3/8" (HSW7A ONLY)"
	COUPLING Cat #: P-8-3548 Model/Part #: P-8-3548	1	"BULKHEAD, 5/8" (HSW7A ONLY)"
	CAPACITOR-START Cat #: 58326 Model/Part #: P-8-3576	1	"88MFD, 250VAC"
	RELAY-POTENTIAL Cat #: 58327 Model/Part #: P-8-3577	1	"SP, N.C., 480V"

<b>Callout</b>	<b>Name</b>	<b>Quantity</b>	<b>Description</b>
	CONTROL-SPEED Cat #: P-8-4531 Model/Part #: P-8-4531	1	TRANSFORMER TYPE(HSW2A ONLY)
1	COMPRESSOR Cat #: P-8-3557 Model/Part #: P-8-3557	1	"1-1/2TON,230/60/1,TEC"
1	COMPRESSOR Cat #: P-8-4219 Model/Part #: P-8-4219	1	"1-1/2TON,208-230/60/1,TEC"
3	MOUNT PKG-COMP Cat #: 69217 Model/Part #: PR-315	1	MOUNT PKG-COMP
4	CAPACITOR-RUN Cat #: 66859 Model/Part #: P-8-1958	1	"35MFD,370VAC"
8	CONTACTOR-COMPR Cat #: 66992 Model/Part #: P-8-2311	1	"DPST,24V"
11	VALVE-SERVICE Cat #: 54G97 Model/Part #: P-8-1565	1	"3/8""-LIQUID(HSW7A)"
11	VALVE-SERVICE Cat #: P-8-4059 Model/Part #: P-8-4059	1	"3/8""-LIQUID(HSW2A)"
13	VALVE-SERVICE Cat #: 54G98 Model/Part #: P-8-4060	1	"5/8""-VAPOR LINE(HSW2A ONLY)"
15	DRIER Cat #: 66227 Model/Part #: P-8-1386	1	DRIER
16	COIL-OUTDOOR Cat #: 8-6-3401B1 Model/Part #: 8-6-3401B1	1	L/MANIFIOLD
21	MOTOR-BLOWER Cat #: 32477 Model/Part #: P-8-4127	1	"1/4HP,1075RPM,230/60/1"
22	CAPACITOR Cat #: 53H02 Model/Part #: P-8-1379	1	"5MFD,370VAC"

**Note:**

There are no technical notes for this product.