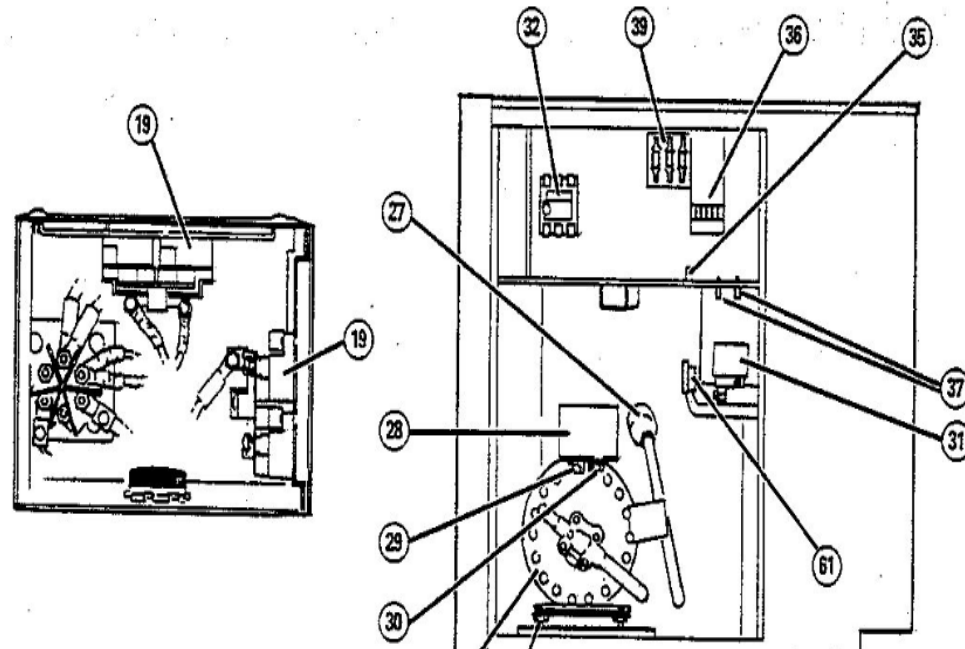
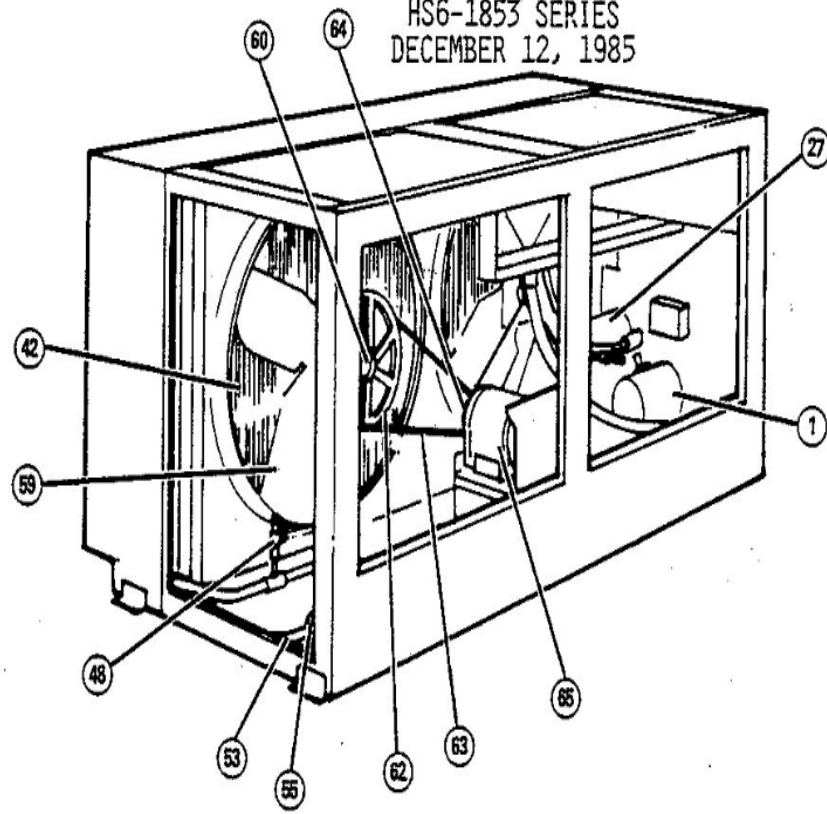


HS6-1853 SERIES  
DECEMBER 12, 1985



Revision Number - 0

## CABINET PARTS

Callout	Name	Quantity	Description
	GRILLE-DISCHARGE Cat #: 8-6-3219A Model/Part #: 8-6-3219A	2	GRILLE-DISCHARGE
	PANEL Cat #: 8-6-3290A Model/Part #: 8-6-3290A	1	FRONT-RIGHT END
	PANEL Cat #: 8-6-3291A Model/Part #: 8-6-3291A	1	FRONT-LEFT END
	PANEL Cat #: 8-6-3293A Model/Part #: 8-6-3293A	1	CLOSURE-LEFT REAR
	PANEL Cat #: 50212 Model/Part #: 8-6-3295A	1	CLOSURE-RIGHT REAR
	PANEL Cat #: 8-6-3308B Model/Part #: 8-6-3308B	2	END
	PANEL-TOP Cat #: 8-6-3315B Model/Part #: 8-6-3315B	1	PANEL-TOP
	GUARD-OUTDOOR COIL Cat #: 8-6-3431A Model/Part #: 8-6-3431A	1	GUARD-OUTDOOR COIL
	COVER-CONTROL BOX Cat #: 8-6-3497C Model/Part #: 8-6-3497C	1	COVER-CONTROL BOX

## CONTROL PANEL PARTS

Callout	Name	Quantity	Description
	FUSE Cat #: 67171 Model/Part #: P-8-2728	2	"AGC TYPE,2AMP,250V"
	CONTACTOR Cat #: P-8-3688 Model/Part #: P-8-3688	1	208/230V
	CONTACT Cat #: P-8-3689 Model/Part #: P-8-3689	3	KIT
	HEATER-RELAY Cat #: 59166 Model/Part #: P-8-3772	3	(440/480V)

Callout	Name	Quantity	Description
	HEATER-RELAY Cat #: 59778 Model/Part #: P-8-3773	3	(550/600V)
	HEATER-RELAY Cat #: 59170 Model/Part #: P-8-3861	3	(208/230V)
	TRANSFORMER Cat #: P-8-3882 Model/Part #: P-8-3882	1	"440/550V PRI,220V SEC,100VA L/FUSE"
31	SWITCH-PRESS Cat #: 59174 Model/Part #: P-8-3877	2	"SPDT,IN 62PSIG,OUT 78PSIG"
32	CONTACTOR-COMPR Cat #: P-8-3407 Model/Part #: P-8-3407	1	"3PDT,208/240V"
35	RELAY Cat #: 66436 Model/Part #: P-8-872	1	"CONTROL- SPST,24V"
36	CONTROL-TIMED OFF Cat #: 37714 Model/Part #: BM-4888	1	KIT
37	HOLDER-FUSE Cat #: 60579 Model/Part #: P-8-6237	2	HOLDER-FUSE
39	RELAY-OVERLOAD Cat #: 67127 Model/Part #: P-8-2644	3	RELAY- OVERLOAD

## COOLING PARTS

Callout	Name	Quantity	Description
	VALVE-GAS Cat #: 8-6-1811D Model/Part #: 8-6-1811D	1	"LIQUID,3/16"'"
	VALVE-RELIEF Cat #: P-8-1050 Model/Part #: P-8-1050	1	(OPTIONAL)
	CAP-SEAL Cat #: 66817 Model/Part #: P-8-1401	1	FITTING-PRESSURE TAP
	ADAPTER Cat #: P-8-1427 Model/Part #: P-8-	1	MALE(LIQUID LINE EXT WITH P-8-2291 DRIER

Callout	Name	Quantity	Description
	1427		
	ADAPTER Cat #: P-8-1429 Model/Part #: P-8-1429	1	FEMALE(LIQUID LINE EXT)MALE ADAPTOR & GA
	GASKET Cat #: 66280 Model/Part #: P-8-1584	1	ADAPTOR
	GASKET Cat #: 66281 Model/Part #: P-8-1585	1	DISCH VALVE
	SCREW Cat #: P-8-1864 Model/Part #: P-8-1864	1	SET
	VALVE CORE Cat #: 66820 Model/Part #: P-8-1897	1	VALVE, CORE 8075910047
	HEATER-CRANKCASE Cat #: P-8-2362 Model/Part #: P-8-2362	1	(460V)
	HEATER-CRANKCASE Cat #: P-8-2363 Model/Part #: P-8-2363	1	(575V)
	GASKET Cat #: 58303 Model/Part #: P-8-3482	1	ADAPTOR
	ADAPTER Cat #: P-8-3760 Model/Part #: P-8-3760	1	MALE
	ADAPTER Cat #: P-8-3785 Model/Part #: P-8-3785	1	FEMALE
	HEATER-CRANKCASE Cat #: P-8-3860 Model/Part #: P-8-3860	1	(208V & 230V)
	KEY Cat #: P-8-4187 Model/Part #: P-8-4187	4	KEY
1	COMPRESSOR Cat #: P-8-3855 Model/Part #: P-8-3855	1	"15TON,230/60/3,CARRIER"

Callout	Name	Quantity	Description
1	COMPRESSOR Cat #: P-8-3856 Model/Part #: P-8-3856	1	"15TON,208/60/3,CARRIER"
1	COMPRESSOR Cat #: P-8-3857 Model/Part #: P-8-3857	1	"15TON,460/60/3,CARRIER"
1	COMPRESSOR Cat #: P-8-3858 Model/Part #: P-8-3858	1	"15TON,575/60/3,CARRIER"
19	RELAY-OVERLOAD Cat #: P-8-4691 Model/Part #: P-8-4691	4	COMPRESSOR(208V)
19	RELAY-OVERLOAD Cat #: P-8-4692 Model/Part #: P-8-4692	2	COMPRESSOR(575V)
19	RELAY-OVERLOAD Cat #: P-8-5013 Model/Part #: P-8-5013	2	COMPRESSOR(460V)
25	MOUNT PKG-COMP Cat #: P-8-3503 Model/Part #: P-8-3503	1	MOUNT PKG-COMP
28	SWITCH-PRESS Cat #: 59244 Model/Part #: P-8-5072	1	"DUAL-LO-OUT 25PSIG,IN 55PSIG, HI-OUT 41"
29	BELLOWS Cat #: P-8-2621 Model/Part #: P-8-2621	1	HI PRESS
30	BELLOWS Cat #: P-8-2622 Model/Part #: P-8-2622	1	LO PRESS
42	COIL-OUTDOOR Cat #: 69067 Model/Part #: 8-6-3296A	1	W/MANIFOLD
48	VALVE-GAS Cat #: 67094 Model/Part #: P-8-2465	1	"DISCHARGE,3/4""
53	VALVE-REFRIG Cat #: 38157 Model/Part #: P-8-7868	1	LIQUID LINE
55	DRIER	1	(LATE PROD)

Callout	Name	Quantity	Description
	Cat #: 66226 Model/Part #: P-8-1132		
55	DRIER Cat #: 23218 Model/Part #: P-8-2291	1	(EARLY PROD)
59	FAN Cat #: 59172 Model/Part #: P-8-3863	2	"1" BORE, 36" DIA, 4 BLADES"
60	SHAFT Cat #: 67902 Model/Part #: 8-6-3326C	2	"FAN-1" DIA, 14-5/8"
61	BEARING Cat #: 66020 Model/Part #: P-5-84	4	"1" BORE, SLEEVE"
62	PULLEY-BLOWER Cat #: 55809 Model/Part #: P-8-1667	2	"1" BORE, 12" OD, "A" GROOVE"
63	BELT Cat #: 59168 Model/Part #: P-8-3859	2	"70", "A" SECTION"
64	PULLEY-MOTOR Cat #: 59173 Model/Part #: P-8-3864	1	"7/8" BORE, 4" OD, "A" GROOVE"
65	MOTOR-BLOWER Cat #: PR-25 Model/Part #: PR-25	1	"2HP, 1725RPM, 230- 460/60/3"
65	MOTOR-FAN Cat #: PR-35 Model/Part #: PR-35	1	"2HP, 1725RPM, 575/60/3"

**Note:**

There are no technical notes for this product.