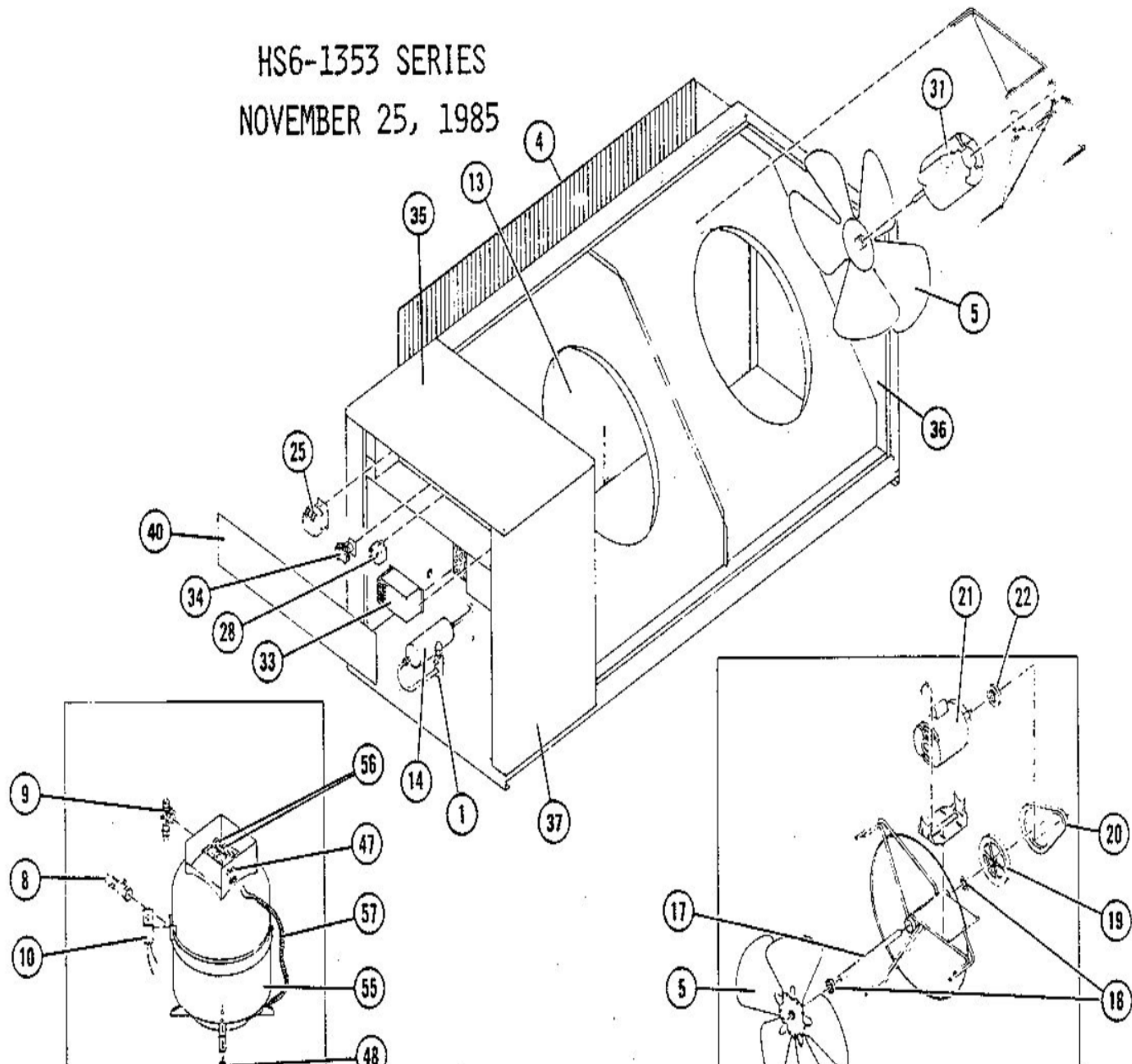


# HS6-1353 SERIES

NOVEMBER 25, 1985



Revision Number - 0

## CONTROL PANEL PARTS

Callout	Name	Quantity	Description
	RELAY Cat #: 66751 Model/Part #: P-8-1120	1	"CAPACITY CONTROL-SPDT, 24V"
	CONTACTOR Cat #: P-8-2700 Model/Part #: P-8-2700	3	PKG-1 POLE SET
	CONTACTOR Cat #: P-8-2797 Model/Part #: P-8-2797	1	208/220V
	TRANSFORMER Cat #: 67227 Model/Part #: P-8-2829	1	"440/550V PRI,220V SEC,40VA L/FUSE"
25	CONTACTOR Cat #: 68649 Model/Part #: P-8-7708	1	"3PDT,208/240V"
28	RELAY Cat #: 66436 Model/Part #: P-8-872	1	"CONTROL-SPST,24V"

## COOLING PARTS

Callout	Name	Quantity	Description
	MOUNT-MOTOR Cat #: 8-6-2359A Model/Part #: 8-6-2359A	1	FAN SUPPORT
	MOUNT-MOTOR Cat #: 61115 Model/Part #: LB-5673	6	FRAME
	CAP-SEAL Cat #: 66817 Model/Part #: P-8-1401	2	FITTING-PRESSURE TAP
	VALVE CORE Cat #: 66820 Model/Part #: P-8-1897	2	VALVE, CORE 8075910047
	BELLOWS Cat #: P-8-2621 Model/Part #: P-8-2621	1	HI PRESS
	BELLOWS	1	LO PRESS

Callout	Name	Quantity	Description
	Cat #: P-8-2622 Model/Part #: P-8-2622		
	VALVE-SERVICE Cat #: P-8-2694 Model/Part #: P-8-2694	1	"DISCHARGE,7/8""
	FUSE Cat #: 67171 Model/Part #: P-8-2728	2	"AGC TYPE,2AMP,250V"
	CAP-SEAL Cat #: 58114 Model/Part #: P-8-3187	2	CAP, BRASS
	CONNECTOR Cat #: P-8-618 Model/Part #: P-8-618	1	CUSHION-VIBRATION ABSORBER
	HOLDER-FUSE Cat #: 60579 Model/Part #: P-8-6237	2	HOLDER-FUSE
	VALVE-SERVICE Cat #: P-8-801 Model/Part #: P-8-801	1	"SUCTION,1-3/8""
	CONNECTOR Cat #: P-8-846 Model/Part #: P-8-846	1	CUSHION-VIBRATION ABSORBER
	GASKET Cat #: P-8-900 Model/Part #: P-8-900	1	SUCTION VALVE
1	VALVE-SERVICE Cat #: 67386 Model/Part #: P-8-2899	1	"LIQUID,5/8""
5	FAN Cat #: 67427 Model/Part #: P-8-3217	2	"5/8""BORE,26-1/4""DIA,5 BLADES"
10	SWITCH-PRESS Cat #: 59244 Model/Part #: P-8-5072	1	"DUAL-LO-OUT 25PSIG,IN 55PSIG, HI-OUT 41
13	COIL-OUTDOOR Cat #: 67892 Model/Part #: 8-6-2392A5	1	W/MANIFOLD
14	DRIER Cat #: 23218 Model/Part #: P-8-2291	1	DRIER
17	SHAFT Cat #: 67344 Model/Part #: 8-6-2360B	2	"FAN-3/4""DIA,16""LONG"
18	BEARING Cat #: 66017 Model/Part #: P-5-78	4	"3/4""BORE,BALL"
19	PULLEY-BLOWER Cat #: 55802 Model/Part #: P-8-1690	2	"3/4""BORE,7""OD,""A"" GROOVE"

Callout	Name	Quantity	Description
20	BELT Cat #: 67417 Model/Part #: P-8-3193	2	"30""LONG,""A"" SECTION"
21	MOTOR-FAN Cat #: 67426 Model/Part #: P-8-3216	2	"1/2HP,1725RPM,230/60/1 (BELT DRIVE)"
21	MOTOR-FAN Cat #: 67429 Model/Part #: P-8-3229	2	"1/2HP,1725RPM,208- 240- 440/60/3(440V-BE
21	MOTOR-FAN Cat #: P-8-3230 Model/Part #: P-8- 3230	2	"1/2HP,1725RPM,550/60/3 (550V-BELT DRIVE
22	PULLEY-MOTOR Cat #: 67459 Model/Part #: P-8-3329	2	"5/8""BORE,3- 1/2""OD,""A"" GROOVE"
48	MOUNT PKG-COMP Cat #: 69215 Model/Part #: PR-313	1	MOUNT PKG-COMP
55	COMPRESSOR Cat #: P-8-3225 Model/Part #: P-8-3225	1	"11TON,208- 220/60/3,COPE"
55	COMPRESSOR Cat #: P-8-3226 Model/Part #: P-8-3226	1	"11TON,440/60/3,COPE"
55	COMPRESSOR Cat #: P-8-3227 Model/Part #: P-8-3227	1	"11TON,550/60/3,COPE"
56	RELAY-OVERLOAD Cat #: P-8-2810 Model/Part #: P-8-2810	2	COMPRESSOR(208/220V)
56	RELAY-OVERLOAD Cat #: 67224 Model/Part #: P-8-2811	2	COMPRESSOR(440V)
56	RELAY-OVERLOAD Cat #: 67225 Model/Part #: P-8-2812	2	COMPRESSOR(550V)
57	HEATER-CRANKCASE Cat #: P-8-1562 Model/Part #: P-8-1562	1	(208/220V & 208/240V)
57	HEATER-CRANKCASE Cat #: P-8-2362 Model/Part #: P-8-2362	1	(440V & 440/480V)
57	HEATER-CRANKCASE Cat #: P-8-2363 Model/Part #: P-8-2363	1	(550V)

**Note:**

There are no technical notes for this product.