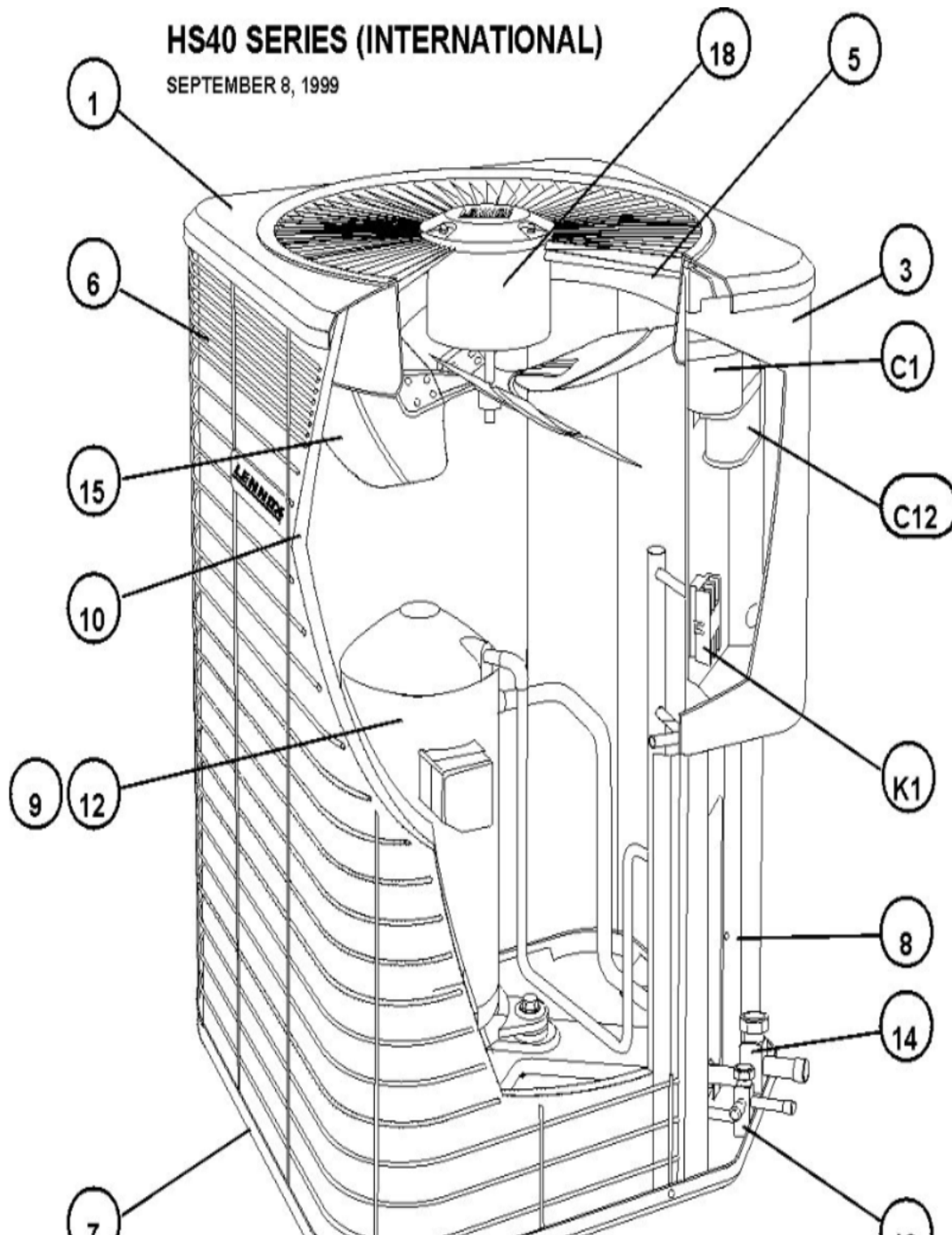


HS40 SERIES (INTERNATIONAL)

SEPTEMBER 8, 1999



Revision Number - 3

*OPTIONAL PARTS-FIELD INSTALLED

Callout	Name	Quantity	Description
	VALVE-EXPANSION Cat #: 56J20 Model/Part #: 37J6801	1	INDOOR FOR R407C ONLY

CABINET PARTS

Callout	Name	Quantity	Description
	NUT-CAP Cat #: 85M56 Model/Part #: 100094-01	4	TOP PANEL
	MESHING-COIL Cat #: 26W59 Model/Part #: 100231-42	1	"39" X 109" (CUT OT FIT)"
	PUSH PIN-MESHING Cat #: 26W29 Model/Part #: R100230-01	6	PIN-PUSH
1	PANEL-TOP Cat #: 88M43 Model/Part #: LB-86265G	1	TOP PANEL (24X24)(QUARTZ GRAY)
3	COVER-CONTROL BOX Cat #: 88M46 Model/Part #: LB-86268G	1	COVER-CONTROL PANEL (QUARTZ GRAY)
5	ORIFICE Cat #: 95M53 Model/Part #: 100001-03	1	"18""
6	GUARD- COIL Cat #: 88M49 Model/Part #: 100315-03	1	COIL OUTDOOR
7	LEG Cat #: 94J45 Model/Part #: LB-87156A	1	BASE(SET OF 4)
8	COVER Cat #: 88M41 Model/Part #: LB-86272G	1	PATCH PLATE
9	COVER Cat #: 69J03 Model/Part #: 69J0301	1	SOUND-COMPRESSOR

CONTROL PANEL PARTS

Callout	Name	Quantity	Description
	CONTROL-TIMED OFF Cat #: 47J27 Model/Part #: LB-50709BK	1	(TOC1-2)
C1	CAPACITOR-MOTOR Cat #: 22W79 Model/Part #: 100600-02	1	"7.5MFD,370VAC(3PH)"
K1	CONTACTOR Cat #: 95M57 Model/Part #: 100438-03	1	"3PDT,24V(3PH)"

COOLING PARTS

Callout	Name	Quantity	Description
	RELAY-OVERLOADCOMP-INTERNAL Cat #: Model/Part #:	1	
	FITTING-PRESS TAP Cat #: 95M47 Model/Part #: 100520-01	2	FITTING - PRESSURE TAP (BRASS)
	DRIER Cat #: 15B63 Model/Part #: 15B6301	1	SUCTION LINE(REPLACEMENT)
	MOUNT PKG-COMP Cat #: 54M63 Model/Part #: 15J1301PR	1	MOUNT PKG-COMP
	HARNESS-COMPRESSOR Cat #: 15M36 Model/Part #: 15M3601	1	MOLDED PLUG
	DRIER Cat #: 37L52 Model/Part #: 37L5201	1	LIQUID LINE(REPLACEMENT)
	SWITCH-LO PRESS Cat #: 56L45 Model/Part #: 56L4501	1	"IN 55+5PSIG,OUT 25+5PSIG"
	SIGHT GLASS Cat #: 57A19 Model/Part #: 57A1901	1	SIGHT GLASS
	SWITCH-HI PRESS Cat #: 86H31 Model/Part #: 86H3101	1	OUT 410+10PSIG
10	COIL-OUTDOOR Cat #: 53L69 Model/Part #: LB- 87170AW	1	W/MANIFOLD

Callout	Name	Quantity	Description
12	COMPRESSOR Cat #: 15M58 Model/Part #: 15M5801	1	"4TON,380-420/50/3,COPE"
13	VALVE-SERVICE Cat #: 10W32 Model/Part #: 100432-01	1	"LIQUID LINE,3/8"""
14	CORE-VALVE Cat #: 95M48 Model/Part #: 100210-01	2	CORE - VALVE
14	VALVE-SERVICE Cat #: 22W71 Model/Part #: 100432-03	1	"SUCTION LINE,7/8"""
15	FAN Cat #: 98M20 Model/Part #: 100060-09	1	"1/2""BORE,18""DIA,4 BLADE"
18	MOTOR-FAN Cat #: 68J25 Model/Part #: 68J2501	1	"1/3HP,1075RPM,460/60/1"

Note:

There are no technical notes for this product.