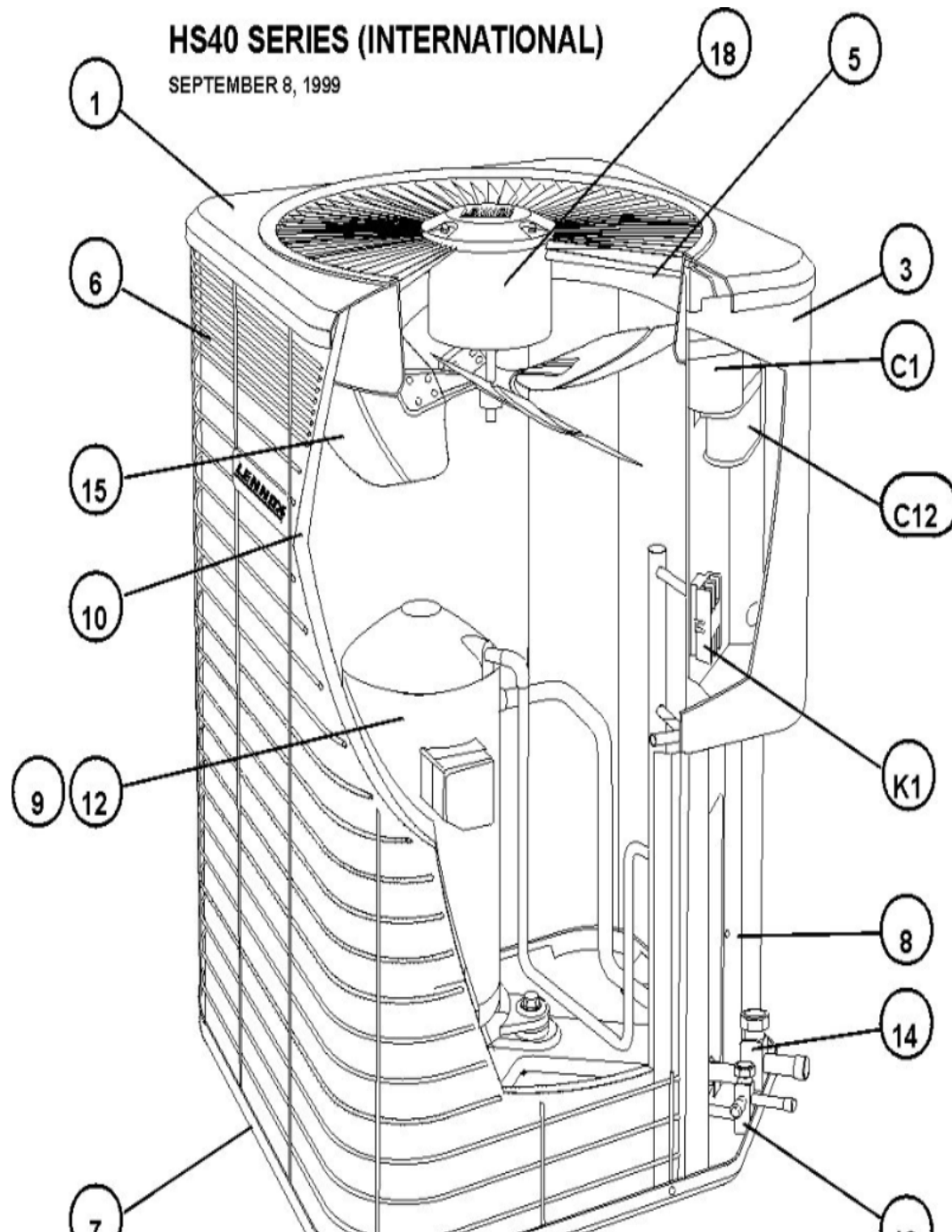


HS40 SERIES (INTERNATIONAL)

SEPTEMBER 8, 1999



Revision Number - 3

*OPTIONAL PARTS-FIELD INSTALLED

Callout	Name	Quantity	Description
	CAPACITOR-START Cat #: 47A60 Model/Part #: 47A6001	1	"88-108MFD,330VAC"
	RELAY-POTENTIAL Cat #: 58327 Model/Part #: P-8-3577	1	SPNC
EXP KT	VALVE-EXPANSION Cat #: 49L33 Model/Part #: 49L3301	1	INDOOR FOR R407C ONLY
ST KIT	START-KIT Cat #: 10J42 Model/Part #: LB-31200BM	1	START KIT

CABINET PARTS

Callout	Name	Quantity	Description
	NUT-CAP Cat #: 85M56 Model/Part #: 100094-01	4	TOP PANEL
	MESHING-COIL Cat #: 26W30 Model/Part #: 100231-09	1	"36" X 90" (CUT OT FIT)"
	PUSH PIN-MESHING Cat #: 26W29 Model/Part #: R100230-01	6	PIN-PUSH
1	PANEL-TOP Cat #: 88M43 Model/Part #: LB-86265G	1	TOP PANEL (24X24)(QUARTZ GRAY)
3	COVER-CONTROL BOX Cat #: 88M46 Model/Part #: LB-86268G	1	COVER-CONTROL PANEL (QUARTZ GRAY)
5	ORIFICE Cat #: 95M53 Model/Part #: 100001-03	1	"18""
6	GUARD- COIL Cat #: 88M49 Model/Part #: 100315-03	1	OUTDOOR COIL
7	LEG Cat #: 94J45 Model/Part #: LB-87156A	1	BASE(SET OF 4)

Callout	Name	Quantity	Description
8	COVER Cat #: 88M41 Model/Part #: LB-86272G	1	PATCH PLATE
9	COVER Cat #: 69J03 Model/Part #: 69J0301	1	SOUND- COMPRESSOR

CONTROL PANEL PARTS

Callout	Name	Quantity	Description
	CONTROL-TIMED OFF Cat #: 47J27 Model/Part #: LB-50709BK	1	(TOC1-2)
C12	CAPACITOR Cat #: 89M94 Model/Part #: 100335-29	1	"60+5MFD,440VAC(1PH)"
C12	CAPACITOR-FAN Cat #: 22W78 Model/Part #: 100600-01	1	"5 MFD, 370VAC(3PH)"
K1	CONTACTOR Cat #: 95M55 Model/Part #: 100438-01	1	"SPST,24V(1PH)"
K1	CONTACTOR Cat #: 95M57 Model/Part #: 100438-03	1	3PDT 24V(3PH)

COOLING PARTS

Callout	Name	Quantity	Description
	FITTING-PRESS TAP Cat #: 95M47 Model/Part #: 100520-01	2	FITTING - PRESSURE TAP (BRASS)
	MOUNT PKG-COMP Cat #: 54M63 Model/Part #: 15J1301PR	1	MOUNT PKG-COMP
	HARNESS-COMPRESSOR Cat #: 15M35 Model/Part #: 15M3501	1	MOLDED PLUG
	HARNESS-COMPRESSOR Cat #: 15M36 Model/Part #: 15M3601	1	MOLDED PLUG
	DRIER Cat #: 37L52 Model/Part #: 37L5201	1	LIQUID LINE(REPLACEMENT)
	SWITCH-LO PRESS Cat #: 56L45 Model/Part #: 56L4501	2	"IN 55+5PSIG,OUT 25+5PSIG"

Callout	Name	Quantity	Description
	SIGHT GLASS Cat #: 57A19 Model/Part #: 57A1901	1	SIGHT GLASS
	DRIER Cat #: 58A64 Model/Part #: 58A6401	1	SUCTION LINE(REPLACEMENT)
	SWITCH-HI PRESS Cat #: 86H31 Model/Part #: 86H3101	1	OUT 410+10PSIG
10	COIL-OUTDOOR Cat #: 53L68 Model/Part #: LB-87170AT	1	W/MANIFOLD
12	COMPRESSOR Cat #: 15M56 Model/Part #: 15M5601	1	"3TON,220- 240/50/1,COPE"
12	COMPRESSOR Cat #: 15M57 Model/Part #: 15M5701	1	"3TON,380- 420/50/3,COPE"
13	VALVE-SERVICE Cat #: 10W32 Model/Part #: 100432-01	1	"LIQUID LINE,3/8""
14	CORE-VALVE Cat #: 95M48 Model/Part #: 100210-01	2	CORE - VALVE
14	VALVE-SERVICE Cat #: 10W33 Model/Part #: 100432-02	1	"SUCTION LINE,3/4""
15	FAN Cat #: 98M19 Model/Part #: 100060-08	1	"1/2""BORE,18""DIA,4 BLADE"
18	MOTOR-FAN Cat #: 68J23 Model/Part #: 68J2301	1	"1/6HP,1075RPM,460/60/1"
18	MOTOR-FAN Cat #: 68J97 Model/Part #: 68J9701	1	"1/6HP,1075RPM,208- 230/60/1"

Note:

There are no technical notes for this product.