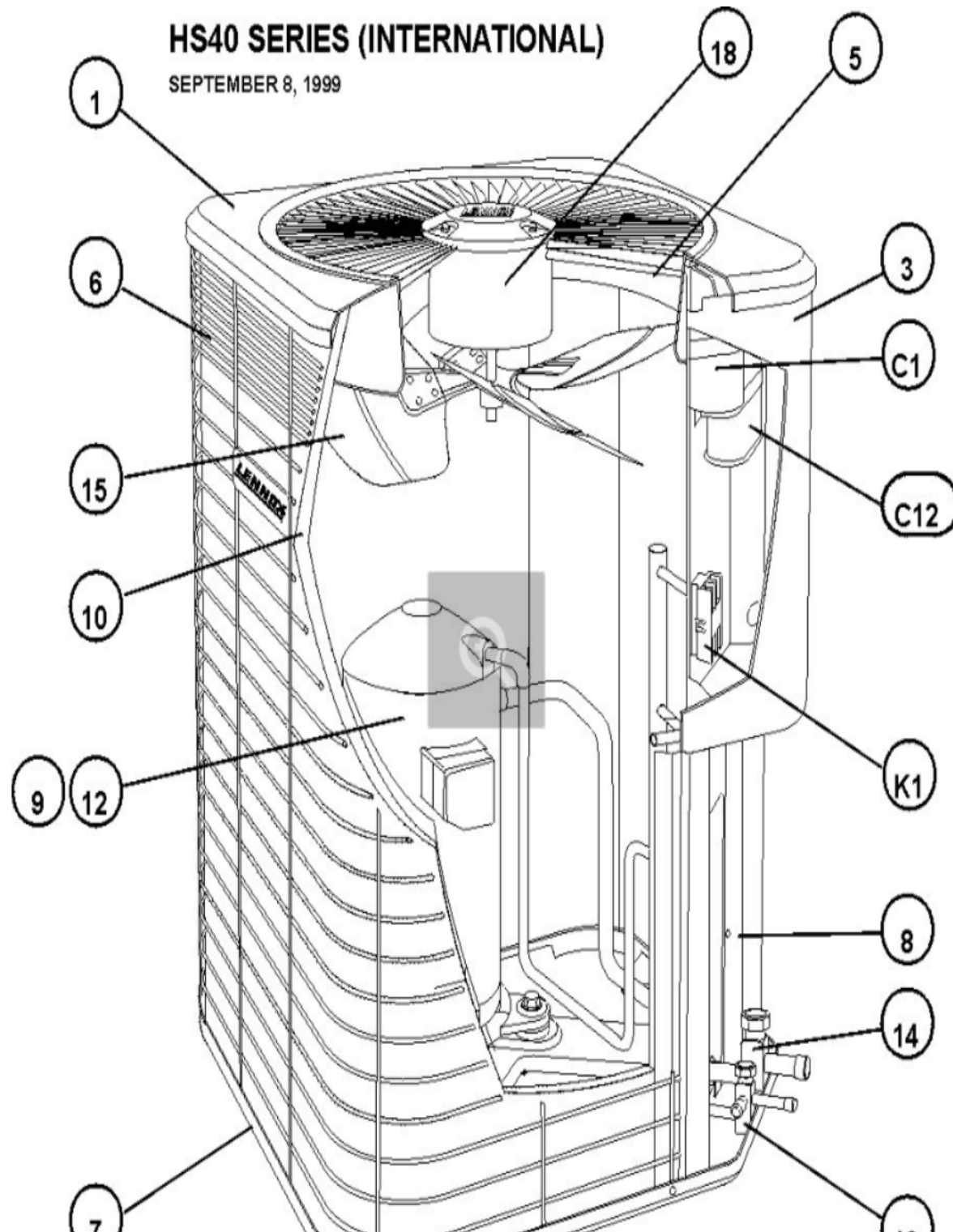


# HS40 SERIES (INTERNATIONAL)

SEPTEMBER 8, 1999



Revision Number - 1

## \*OPTIONAL PARTS-FIELD INSTALLED

Callout	Name	Quantity	Description
	CAPACITOR-START Cat #: 47A60 Model/Part #: 47A6001	1	"88-108MFD,330VAC"
	RELAY-POTENTIAL Cat #: 58327 Model/Part #: P-8-3577	1	SPNC
EXP KIT	VALVE-EXPANSION Cat #: 49L33 Model/Part #: 49L3301	1	INDOOR FOR R407C ONLY
ST KIT	START-KIT Cat #: 10J42 Model/Part #: LB-31200BM	1	START KIT

## CABINET PARTS

Callout	Name	Quantity	Description
	NUT-CAP Cat #: 68J41 Model/Part #: 68J4101	4	TOP PANEL
1	PANEL-TOP Cat #: 26K58 Model/Part #: LB-86265L	1	TOP PANEL (24X24)(BEIGE) (PM)
3	COVER-CONTROL BOX Cat #: 45M90 Model/Part #: LB-86271A	1	CVR-CTL PNL(BEIGE)
5	ORIFICE Cat #: 68J46 Model/Part #: 68J4601	1	"18""
6	GUARD-OUTDOOR COIL Cat #: 68J04 Model/Part #: 68J0401	1	OUTDOOR COIL
7	LEG Cat #: 94J45 Model/Part #: LB-87156A	1	BASE(SET OF 4)
8	COVER Cat #: 68K48 Model/Part #: LB-86276A	1	PATCH PLATE

## CONTROL PANEL PARTS

Callout	Name	Quantity	Description
	CONTROL-TIMED OFF Cat #: 47J27 Model/Part #: LB-50709BK	1	(TOC1-2)
C12	CAPACITOR-FAN&RUN Cat #: 53H25 Model/Part #: 39H8201	1	"40+5MFD,370VAC"
K1	CONTACTOR Cat #: 68J36 Model/Part #: 68J3601	1	"DPDT,24V"

## COOLING PARTS

Callout	Name	Quantity	Description
	RELAY-OVERLOADCOMP-INTERNAL Cat #: Model/Part #:	1	
	MOUNT PKG-COMP Cat #: 54M63 Model/Part #: 15J1301PR	1	MOUNT PKG-COMP
	HARNESS-COMPRESSOR Cat #: 15M35 Model/Part #: 15M3501	1	MOLDED PLUG
	DRIER Cat #: 37L52 Model/Part #: 37L5201	1	LIQUID LINE(REPLACEMENT)
	SIGHT GLASS Cat #: 57A19 Model/Part #: 57A1901	1	SIGHT GLASS
	DRIER Cat #: 58A64 Model/Part #: 58A6401	1	SUCTION LINE(REPLACEMENT)
	FITTING PRESS TAP Cat #: 86G64 Model/Part #: 86G6401	2	FITTING, PRESSURE TAP
	SWITCH-HI PRESS Cat #: 86H31 Model/Part #: 86H3101	1	OUT 410+10PSIG
	WELL-THERMOMETER Cat #: 10J33 Model/Part #: LB-83856A	1	THERMOMETER WELL ASSY.
	SWITCH-LO PRESS Cat #: 87265 Model/Part #: P-8-10978	1	"IN 55+5PSIG,OUT 25+5PSIG"
10	COIL-OUTDOOR Cat #: 53L67 Model/Part #: LB-87170AS	1	W/MANIFOLD
12	COMPRESSOR	1	"1-1/2TON,220-

<b>Callout</b>	<b>Name</b>	<b>Quantity</b>	<b>Description</b>
	Cat #: 15M54 Model/Part #: 15M5401		240/50/1,COPE(AFTER 6/01 P
12	COMPRESSOR Cat #: 49L26 Model/Part #: 49L2601	1	"1-1/2TON,220- 240/50/1,COPE(SCROLL)"
13	VALVE-SERVICE Cat #: 68J10 Model/Part #: 68J1001	1	"LIQUID LINE,3/8""
14	VALVE-SERVICE Cat #: 67K18 Model/Part #: 67K1801	1	"SUCTION LINE,5/8""
14	VALVE CORE Cat #: 66820 Model/Part #: P-8-1897	2	VALVE, CORE 8075910047
15	FAN Cat #: 68J26 Model/Part #: 68J2601	1	"1/2""BORE,18""DIA,3 BLADE"
18	MOTOR-FAN Cat #: 68J97 Model/Part #: 68J9701	1	"1/6HP,1075RPM,208- 230//60/1"

**Note:**

There are no technical notes for this product.