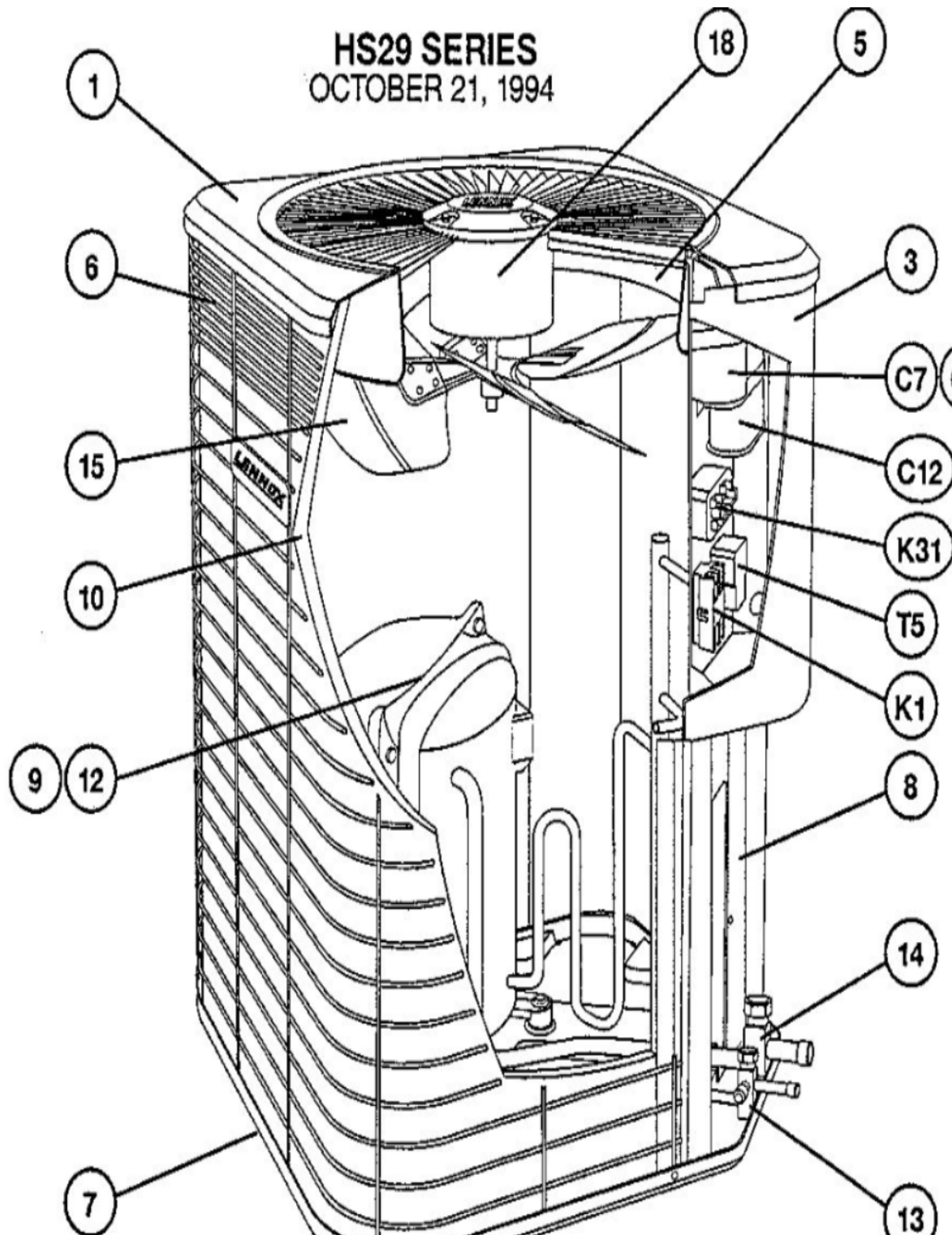


**HS29 SERIES**  
OCTOBER 21, 1994



Revision Number - 2

## \*OPTIONAL PARTS-FIELD INSTALLED

Callout	Name	Quantity	Description
	VALVE-SADDLE Cat #: 65G91 Model/Part #: 65G9101	1	"3/8""
	SWITCH-LO PRESS Cat #: 87265 Model/Part #: P-8-10978	1	"IN 55+5PSIG,OUT 25+5PSIG"
A	SWITCH-HI PRESS Cat #: 86H31 Model/Part #: 86H3101	1	OUT 410+10 PSIG
B	VALVE-SADDLE Cat #: 65G91 Model/Part #: 65G9101	1	"3/8""
HP KIT	HI PRESS CUTOUT KIT Cat #: 94J46 Model/Part #: LB-87619A	1	INC NEXT 2 PARTS
LC KIT	LOSS OF CHARGE KIT Cat #: 94J47 Model/Part #: LB-87620A	1	INC NEXT 2 PARTS

## CABINET PARTS

Callout	Name	Quantity	Description
	NUT-CAP Cat #: 68J41 Model/Part #: 68J4101	4	TOP PANEL
1	PANEL-TOP Cat #: 26K58 Model/Part #: LB-86265L	1	TOP PANEL (24X24)(BEIGE) (PM)
3	COVER-CONTROL BOX Cat #: 37K03 Model/Part #: LB-86268L	1	COVER-CONTROL PANEL (BEIGE)
5	ORIFICE Cat #: 68J46 Model/Part #: 68J4601	1	"18""
6	GUARD-COIL Cat #: 68J06 Model/Part #: 68J0601	1	COIL GUARD 32 in.
7	LEG Cat #: 94J45 Model/Part #: LB-87156A	1	BASE(SET OF 4)
8	COVER Cat #: 32K99 Model/Part #: LB-86272A	1	PATCH PLATE

Callout	Name	Quantity	Description
9	COVER Cat #: 53J40 Model/Part #: 53J4001	1	SOUND-COMPRESSOR

## CONTROL PANEL PARTS

Callout	Name	Quantity	Description
	CONTROL-TIMED OFF Cat #: 47J27 Model/Part #: LB-50709BK	1	(TOC1-2)(OPT)
C1	CAPACITOR Cat #: 39H89 Model/Part #: 39H8901	1	"7.5MFD,370VAC
K1	CONTACTOR Cat #: 38393 Model/Part #: P-8-7736	1	"3PDT,24V
T5	TRANSFORMER Cat #: 13H79 Model/Part #: 13H7901	1	"575V PRI,460V SEC,3.4VA, L/FUSE"

## COOLING PARTS

Callout	Name	Quantity	Description
	RELAY-OVERLOAD COMP-INTERNAL Cat #: Model/Part #:	1	
	DRIER Cat #: 12L71 Model/Part #: 12L7101	1	LIQUID LINE(OPT)
	DRIER Cat #: 12L75 Model/Part #: 12L7501	1	SUCTION LINE
	KIT Cat #: 42J55 Model/Part #: 42J5501	1	RFC4(.086)
	MOUNT PKG-COMP Cat #: 49A67 Model/Part #: 49A7001PR	1	49A7001PR COMP MT PK
	MUFFLER Cat #: 74H69 Model/Part #: 74H6901	1	MUFFLER-COPPER-1/2"ID
	FITTING PRESS TAP Cat #: 86G64 Model/Part #: 86G6401	1	(OPT)
	SWITCH-HI PRESS	1	OUT

<b>Callout</b>	<b>Name</b>	<b>Quantity</b>	<b>Description</b>
	Cat #: 86H31 Model/Part #: 86H3101		410+10PSIG(INTL&OPT)
	WELL-THERMOMETER Cat #: 10J33 Model/Part #: LB-83856A	1	THERMOMETER WELL ASSY.
	SWITCH-LO PRESS Cat #: 87265 Model/Part #: P-8-10978	1	"IN 55+5PSIG,OUT 25+5PSIG (INTL&OPT)"
	VALVE CORE Cat #: 66820 Model/Part #: P-8-1897	1	(OPT)
10	COIL-OUTDOOR Cat #: 16K38 Model/Part #: LB-87170AC	1	W/MANIFOLD
12	COMPRESSOR Cat #: 68J64 Model/Part #: 68J6401	1	"4TON,575/60/3,TEC"
12	COMPRESSOR Cat #: 68J66 Model/Part #: 68J6601	1	"4TON,200-230/60/3,TEC"
12	COMPRESSOR Cat #: 68J67 Model/Part #: 68J6701	1	"4TON,380-420/50/3,AND 460/60/3,TEC"
13	VALVE-SERVICE Cat #: 68J10 Model/Part #: 68J1001	1	"LIQUID LINE,3/8"""
14	VALVE-SERVICE Cat #: 68J13 Model/Part #: 68J1301	1	"SUCTION LINE,7/8"""
15	FAN Cat #: 68J28 Model/Part #: 68J2801	1	"1/2""BORE,18""DIA,4 BLADE"
18	MOTOR-FAN Cat #: 68J24 Model/Part #: 68J2401	1	"1/3HP,1075RPM,208-230/60/1"
18	MOTOR-FAN Cat #: 68J25 Model/Part #: 68J2501	1	"1/3HP,1075RPM,460/60/1"

**Note:**

URGENT: HS29/10ACB Discharge Line Created by: C-95-3 Date: 17-Aug-95 Note1: SEE FIELD REPLACEMENT CRANKCASE HEATER CHART ON CRL CARD.