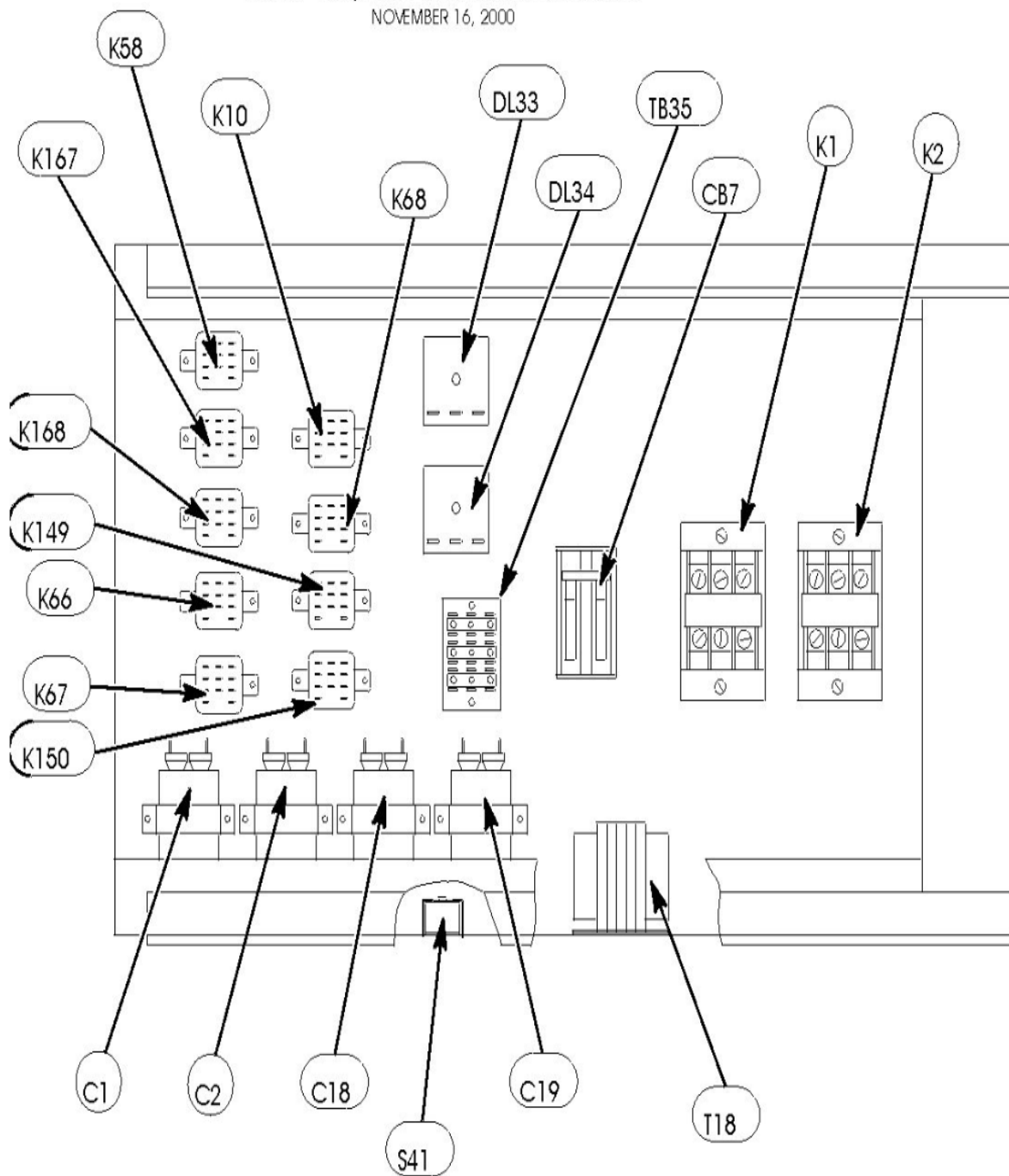
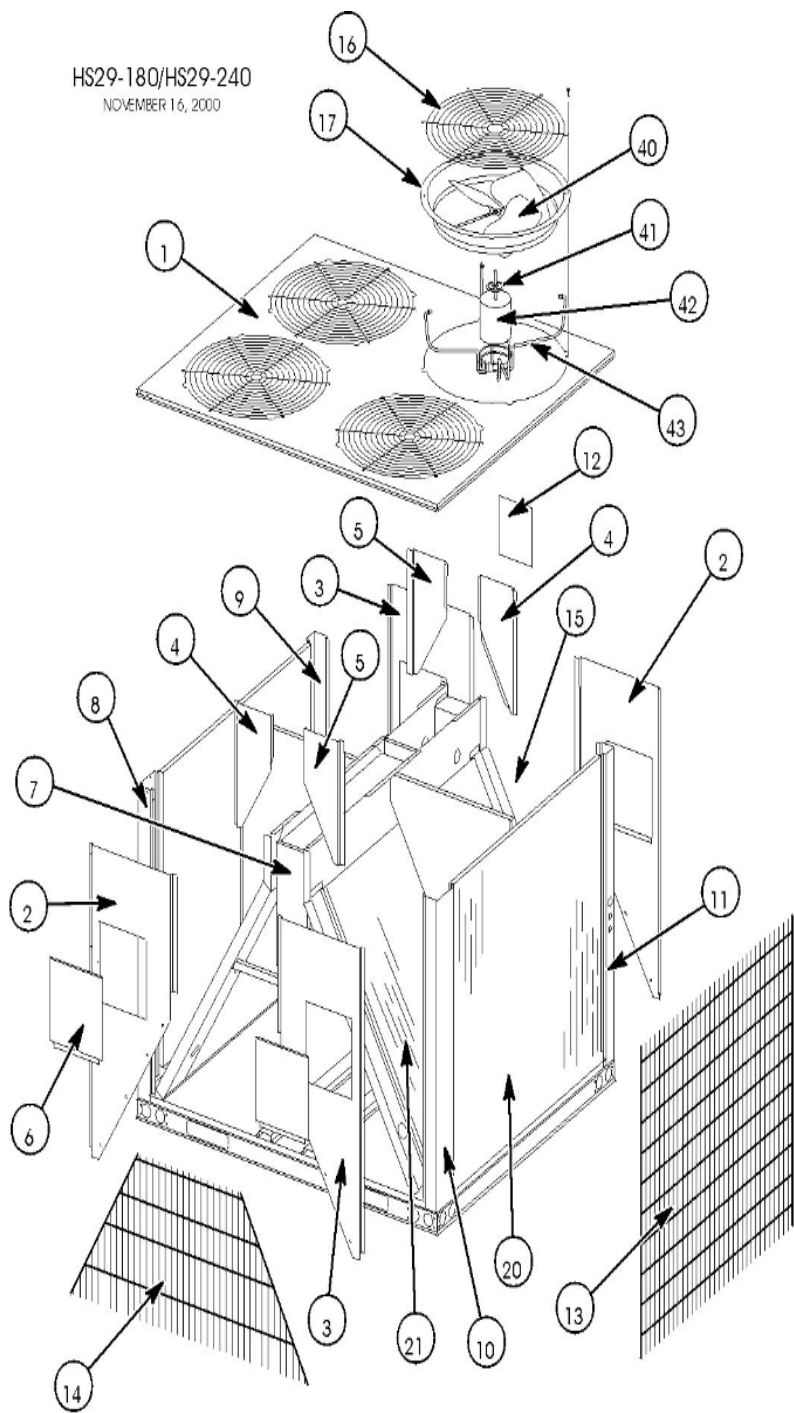


# HS29-180/HS29-240 CONTROL BOX

NOVEMBER 16, 2000

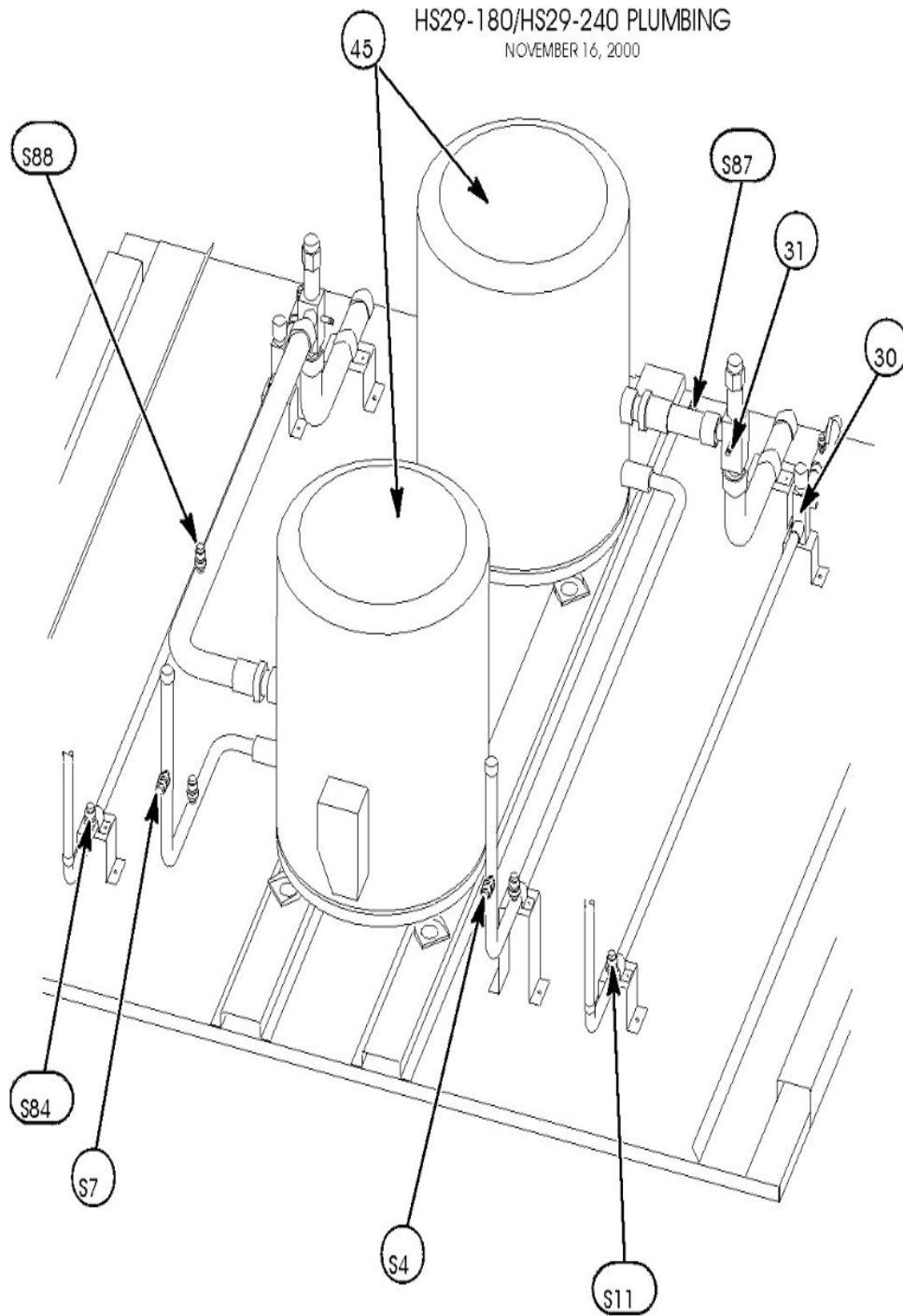


HS29-180/HS29-240  
NOVEMBER 16, 2000



HS29-180/HS29-240 PLUMBING

NOVEMBER 16, 2000



Revision Number - 2

## CABINET PARTS

Callout	Name	Quantity	Description
	HANDLE Cat #: 73K99 Model/Part #: 73K9901	1	CONTROL PANEL DOOR
1	PANEL Cat #: 17L69 Model/Part #: LB-88508	1	(ORDER ORIFICE W/TOP PANEL)
2	PANEL Cat #: 20L35 Model/Part #: LB-90140	2	"FRONT-LEFT,REAR-RIGHT"
3	PANEL Cat #: 17L70 Model/Part #: LB-88482	2	"FRONT-RIGHT,REAR-LEFT"
4	PANEL Cat #: 16M15 Model/Part #: LB-90141	2	"FILLER-FRONT-LEFT,REAR-RIGHT"
5	PANEL Cat #: 16M16 Model/Part #: LB-88484	2	"FILLER-FRONT-RIGHT,REAR-LEFT"
6	PANEL Cat #: 16M19 Model/Part #: LB-88499	4	COIL ACCESS
7	DOOR Cat #: 16M17 Model/Part #: LB-88474	1	CONTROL BOX
8	POST-CORNER Cat #: 96L15 Model/Part #: LB-88480	1	FRONT-LEFT
9	POST-CORNER Cat #: 36M50 Model/Part #: LB-90137	1	REAR-LEFT
10	POST-CORNER Cat #: 96L16 Model/Part #: LB-88500	1	FRONT-RIGHT
11	POST-CORNER Cat #: 16M18 Model/Part #: LB-90138	1	REAR-RIGHT
12	PANEL Cat #: 93K56 Model/Part #: LB-88533	2	ACCESS-FRONT & REAR
13	GUARD-OUTDOOR COIL Cat #: 41K67 Model/Part #: 41K6701	2	LEFT & RIGHT
14	GUARD-OUTDOOR COIL Cat #: 63K25 Model/Part #: 63K2501	1	FRONT

Callout	Name	Quantity	Description
15	GUARD-OUTDOOR COIL Cat #: 41K68 Model/Part #: 41K6801	1	REAR
16	GRILLE-DISCHARGE Cat #: 21J31 Model/Part #: 21J3101	4	GRILLE, FAN GUARD
17	RING-ORIFICE Cat #: 16M55 Model/Part #: LB-100110A	4	(2 PC ASSY)

## CONTROL PANEL PARTS

Callout	Name	Quantity	Description
	COVER, DISCONNECT - PLASTIC Cat #: 29K24 Model/Part #: 29K2401	1	DISCONNECT
	SWITCH-DISCONNECT Cat #: 34K10 Model/Part #: 34K1001	1	PWR ENTRY BX
	CAPACITOR Cat #: 53H06 Model/Part #: 39H6301	4	"O.D.FAN(1-4)15MFD,370VA(INTL)"
	BLOCK-TERMINAL Cat #: 72F88 Model/Part #: 72F8801	1	POWER ENTRY BOX
	GFI Cat #: 79J98 Model/Part #: 79J9801	1	POWER ENTRY BOX
	COVER Cat #: 86H85 Model/Part #: 86H8501	1	GFI
	SWITCH-DISCONNECT Cat #: 93J31 Model/Part #: 93J3101	1	SWITCH, DISCONNECT (80AMP) (SEE TEXT)
	BOX Cat #: 97H22 Model/Part #: 97H2201	1	GFI
	DOOR Cat #: LB-88501 Model/Part #: LB-88501	1	POWER BOX(DIS/GFI)
	DOOR Cat #: LB-88505 Model/Part #: LB-88505	1	POWER BOX
	BRACKET Cat #: LB-88590 Model/Part #: LB-88590	1	GFI
	HARNESS-WIRING	1	COMP-208/230V(180

Callout	Name	Quantity	Description
	Cat #: 86M78 Model/Part #: LB-90800A		UNIT)
	HARNESS-WIRING Cat #: LB-90801 Model/Part #: LB-90801	1	"COMP-460V,575 & INTL (180 & 240)"
	HARNESS-WIRING Cat #: LB-90802 Model/Part #: LB-90802	1	"CONTROL HARN,24V"
C1	CAPACITOR Cat #: 39H61 Model/Part #: 39H6101	1	"O.D.FAN,10 MFD,370VA"
C18	CAPACITOR Cat #: 39H61 Model/Part #: 39H6101	1	"O.D.FAN,10 MFD,370VA"
C19	CAPACITOR Cat #: 39H61 Model/Part #: 39H6101	1	"O.D.FAN,10 MFD,370VA"
C2	CAPACITOR Cat #: 39H61 Model/Part #: 39H6101	1	"O.D.FAN,10 MFD,370VA"
CB7	BREAKER-CIRCUIT Cat #: 47A89 Model/Part #: 47A8901	1	208/230V
DL33	CONTROL-TIMED OFF Cat #: 49K02 Model/Part #: 49K0201	1	TIMER, MINIMUM RUN
DL34	CONTROL-TIMED OFF Cat #: 49K02 Model/Part #: 49K0201	1	TIMER, MINIMUM RUN
K1	CONTACTOR Cat #: 38113 Model/Part #: P-8-7716	1	"3PDT,24V(208-230V UNITS)"
K1	CONTACTOR Cat #: 38393 Model/Part #: P-8-7736	1	"3PDT,24V(460V,575V,& INTL)"
K10	RELAY Cat #: 69J57 Model/Part #: 69J5701	1	"O.D. FAN 3,DPDT,24V"
K149	RELAY Cat #: 69J57 Model/Part #: 69J5701	1	"O.D. FAN 3,DPDT,24V"
K150	RELAY Cat #: 69J56 Model/Part #: 69J5601	1	"O.D. FAN 4,SPDT,24V"
K167	RELAY Cat #: 39H13 Model/Part #: 39H1301	1	"LATCHING 1,3PDT,24V"
K168	RELAY Cat #: 39H13 Model/Part #: 39H1301	1	"LATCHING 1,3PDT,24V"

<b>Callout</b>	<b>Name</b>	<b>Quantity</b>	<b>Description</b>
K2	CONTACTOR Cat #: 38113 Model/Part #: P-8-7716	1	"3PDT,24V(208-230V UNITS)"
K2	CONTACTOR Cat #: 38393 Model/Part #: P-8-7736	1	"3PDT,24V(460V,575V,& INTL)"
K58	RELAY Cat #: 39H98 Model/Part #: 39H9801	1	"LOW AMB,DPDT,24V"
K66	RELAY Cat #: 39H13 Model/Part #: 39H1301	1	"LATCHING 1,3PDT,24V"
K67	RELAY Cat #: 39H13 Model/Part #: 39H1301	1	"LATCHING 1,3PDT,24V"
K68	RELAY Cat #: 69J56 Model/Part #: 69J5601	1	"O.D. FAN 4,SPDT,24V"
S41	THERMOSTAT Cat #: 31J63 Model/Part #: 31J6301	1	LOW AMB
T18	TRANSFORMER Cat #: 13H28 Model/Part #: 13H2801	1	"208-240V PRI,24V SEC,70VA, L/FUSE"
T18	TRANSFORMER Cat #: 51H79 Model/Part #: 51H7901	1	"480V PRI,24V SEC,70VA, L/FUSE(INTL)"
T18	TRANSFORMER Cat #: 66J54 Model/Part #: 66J5401	1	"600V PRI,24V SEC,70VA,L/FUSE"
TB35	BOARD-TERMINAL Cat #: 39L03 Model/Part #: 39L0301	1	TERMINAL BOARD

## COOLING PARTS

<b>Callout</b>	<b>Name</b>	<b>Quantity</b>	<b>Description</b>
	MOUNT PKG-COMP Cat #: 74J30 Model/Part #: 74J3001PR	2	(180 & 240)
	FITTING PRESS TAP Cat #: 86G64 Model/Part #: 86G6401	8	FITTING, PRESSURE TAP
	HEATER-CRANKCASE Cat #: 99K42 Model/Part #: 99K4201	2	EXTERNAL(460V & 380/420V)

<b>Callout</b>	<b>Name</b>	<b>Quantity</b>	<b>Description</b>
	HEATER-CRANKCASE Cat #: 99K46 Model/Part #: 99K4601	2	EXTERNAL(575V)
	HEATER-CRANKCASE Cat #: 99K47 Model/Part #: 99K4701	2	EXTERNAL(208/230V)
	HARNESS-WIRING Cat #: 86M79 Model/Part #: LB-91549	1	O.D. FAN ASSY
	DRIER Cat #: 87326 Model/Part #: P-8-10807	2	-180
	VALVE CORE Cat #: 66820 Model/Part #: P-8-1897	8	VALVE, CORE
	CAP-SEAL Cat #: 58114 Model/Part #: P-8-3187	2	CAP, BRASS
20	COIL-OUTDOOR Cat #: 90K73 Model/Part #: LB-92980C	1	"OUT,2ND STG- W/MANIFOLD(L-180)"
20	COIL-OUTDOOR Cat #: 90K74 Model/Part #: LB-92980D	1	"OUT,1ST STG- W/MANIFOLD(R-180)"
21	COIL-OUTDOOR Cat #: 90K75 Model/Part #: LB-92980E	1	"IN,2ND STG- W/MANIFOLD(L-180)"
21	COIL-OUTDOOR Cat #: 90K76 Model/Part #: LB-92980F	1	"IN,1ST STG- W/MANIFOLD(R-180)"
30	VALVE-CHECK Cat #: 65G08 Model/Part #: 65G0801	2	"LIQUID LINE,5/8""(BEFORE 7-12-01)"
30	VALVE-SERVICE Cat #: 68J11 Model/Part #: 68J1101	2	"LIQUID LINE,5/8""(AFTER 7-12-01)"
31	VALVE-SERVICE Cat #: 60L52 Model/Part #: 60L5201	2	"SUCTION LINE,1-3/8""
40	FAN Cat #: 65C68 Model/Part #: 65C6801	4	"1/2"" BORE,24""DIA,3 BLADE"
41	SHIELD-RAIN Cat #: 32621 Model/Part #: P-8-6142	4	SHIELD, MOTOR
42	MOTOR-FAN Cat #: 79J81 Model/Part #: 79J8101	4	"1/3HP,1075RPM,208- 230/60/1"
42	MOTOR-FAN	4	"1/3HP,1075RPM,460/60/1"

Callout	Name	Quantity	Description
	Cat #: 79J82 Model/Part #: 79J8201		& INTL"
42	MOTOR-FAN Cat #: 79J83 Model/Part #: 79J8301	4	"1/3HP,1075RPM,575/60/1"
43	BRACKET Cat #: 78L41 Model/Part #: 78L4101	4	MOUNT, MOTOR
45	COMPRESSOR Cat #: 12L31 Model/Part #: 12L3101	2	7.5TON,460/60/3 & INTL,COPE
45	COMPRESSOR Cat #: 12L32 Model/Part #: 12L3201	2	7.5TON,575/60/3,COPE
45	COMPRESSOR Cat #: 99K43 Model/Part #: 99K4301	2	7.5TON,208- 230/60/3,COPE
S11	SWITCH-LO AMBIENT Cat #: 18J74 Model/Part #: 18J7401	1	"IN 275+10 PSI,OUT 150+10 PSI"
S4	SWITCH-HI PRESS Cat #: 85C87 Model/Part #: 85C8701	1	CUTOUT 410PSIG
S7	SWITCH-HI PRESS Cat #: 85C87 Model/Part #: 85C8701	1	CUTOUT 410PSIG
S84	SWITCH-LO AMBIENT Cat #: 18J74 Model/Part #: 18J7401	1	"IN 275+10 PSI,OUT 150+10 PSI"
S87	SWITCH-LO PRESS Cat #: 85C23 Model/Part #: 85C2301	1	"(2ND STG)IN 55+5 PSIG,OUT 25+5 PSIG"
S88	SWITCH-LO PRESS Cat #: 85C23 Model/Part #: 85C2301	1	"(2ND STG)IN 55+5 PSIG,OUT 25+5 PSIG"

**Note:**

There are no technical notes for this product.