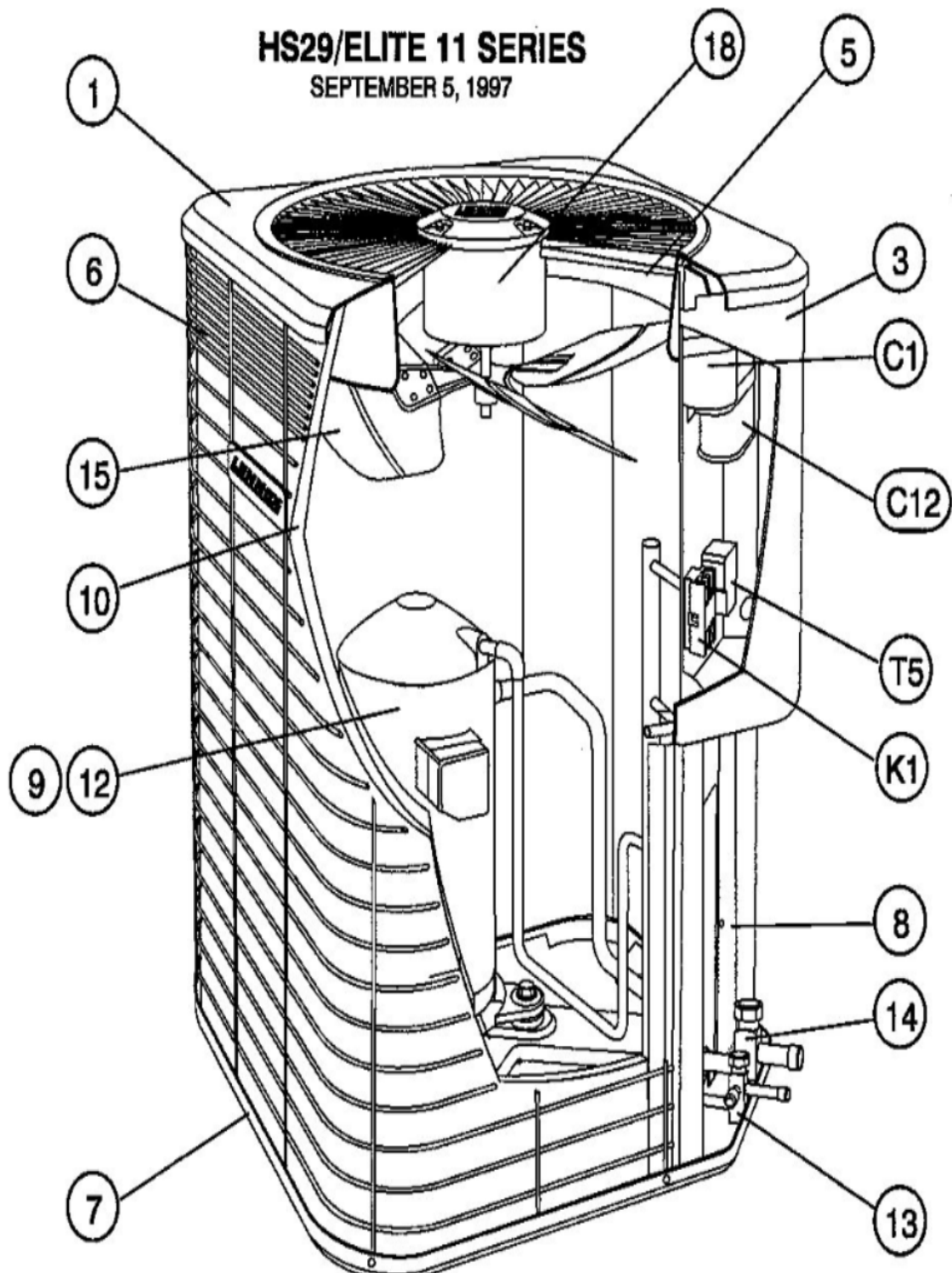


HS29/ELITE 11 SERIES

SEPTEMBER 5, 1997



Revision Number - 1

*OPTIONAL PARTS-FIELD INSTALLED

Callout	Name	Quantity	Description
	CAPACITOR-START Cat #: 21J29 Model/Part #: 21J2901	1	270-324 MFD @ 330V ROUND
	VALVE-SADDLE Cat #: 65G91 Model/Part #: 65G9101	1	"3/8""(OPT)"
	SWITCH-LO PRESS Cat #: 87265 Model/Part #: P-8-10978	1	"IN 55+5PSIG,OUT 25+5PSIG(OPT)"
	RELAY-POTENTIAL Cat #: 58327 Model/Part #: P-8-3577	1	SPNC
A	SWITCH-HI PRESS Cat #: 86H31 Model/Part #: 86H3101	1	OUT 410+10 PSIG(OPT)
B	VALVE-SADDLE Cat #: 65G91 Model/Part #: 65G9101	1	"3/8""(OPT)"
HP KIT	HI PRESS CUTOUT KIT Cat #: 94J46 Model/Part #: LB-87619A	1	INC NEXT 2 PARTS(OPT)
LC KIT	LOSS OF CHARGE KIT Cat #: 94J47 Model/Part #: LB-87620A	1	INC NEXT 2 PARTS(OPT)
ST KIT	START-KIT Cat #: 81J69 Model/Part #: LB-31200BW	1	INC NEXT 2 PARTS

CABINET PARTS

Callout	Name	Quantity	Description
	NUT-CAP Cat #: 68J41 Model/Part #: 68J4101	4	TOP PANEL
1	PANEL-TOP Cat #: 26K58 Model/Part #: LB-86265L	1	TOP PANEL (24X24)(BEIGE) (PM)
3	COVER-CONTROL BOX Cat #: 37K03 Model/Part #: LB-86268L	1	COVER-CONTROL PANEL (BEIGE)
5	ORIFICE Cat #: 68J46 Model/Part #: 68J4601	1	"18""

Callout	Name	Quantity	Description
6	GUARD-COIL Cat #: 68J06 Model/Part #: 68J0601	1	OUTDOOR
7	LEG Cat #: 94J45 Model/Part #: LB-87156A	1	BASE(SET OF 4)
8	COVER Cat #: 14L32 Model/Part #: LB-93297	1	PATCH PLATE
9	COVER Cat #: 69J03 Model/Part #: 69J0301	1	SOUND-COMPRESSOR

CONTROL PANEL PARTS

Callout	Name	Quantity	Description
	CONTROL-TIMED OFF Cat #: 47J27 Model/Part #: LB-50709BK	1	(TOC1-2)(OPT)
C12	CAPACITOR-FAN&RUN Cat #: 49K50 Model/Part #: 49K5001	1	"80+7.5MFD,370VAC"
K1	CONTACTOR Cat #: 68J37 Model/Part #: 68J3701	1	"DPDT,24V(1PH)"
K1	CONTACTOR Cat #: 38393 Model/Part #: P-8-7736	1	"3PDT,24V(3PH)"

COOLING PARTS

Callout	Name	Quantity	Description
	RELAY-OVERLOAD COMP-INTERNAL Cat #: Model/Part #:	1	
	DRIER Cat #: 12L71 Model/Part #: 12L7101	1	"LIQUID LINE-3/8" (REPLACEMENT)"
	DRIER Cat #: 15B63 Model/Part #: 15B6301	1	"SUCTION LINE-7/8" (REPLACEMENT)"
	MOUNT PKG-COMP Cat #: 54M63 Model/Part #: 15J1301PR	1	MOUNT PKG-COMP
	HARNESS-COMPRESSOR Cat #: 15M35 Model/Part #: 15M3501	1	MOLDED PLUG

Callout	Name	Quantity	Description
	KIT Cat #: 42J61 Model/Part #: 42J6101	1	RFC4(.098)
	SIGHT GLASS Cat #: 57A19 Model/Part #: 57A1901	1	(OPT)
	FITTING PRESS TAP Cat #: 86G64 Model/Part #: 86G6401	2	(INTL&OPT)
	SWITCH-HI PRESS Cat #: 86H31 Model/Part #: 86H3101	1	OUT 410+10PSIG(INTL&OPT)
	WELL-THERMOMETER Cat #: 10J33 Model/Part #: LB-83856A	1	THERMOMETER WELL ASSY.
	SWITCH-LO PRESS Cat #: 87265 Model/Part #: P-8-10978	1	"IN 55+5PSIG,OUT 25+5PSIG (INTL&OPT)"
	VALVE CORE Cat #: 66820 Model/Part #: P-8-1897	2	(INTL&OPT)
10	COIL-OUTDOOR Cat #: 10L04 Model/Part #: LB- 87170AN	1	W/MANIFOLD
12	COMPRESSOR Cat #: 15M88 Model/Part #: 15M8801	1	"5TON,208- 230/60/1,COPE (AFTER 6/01 PRO
12	COMPRESSOR Cat #: 27J10 Model/Part #: 27J1001	1	"5TON,380-420/50/3,AND 460/60/3,COPE(SCR
12	COMPRESSOR Cat #: 48J21 Model/Part #: 48J2101	1	"5TON,208- 230/60/1,COPE"
13	VALVE-SERVICE Cat #: 68J10 Model/Part #: 68J1001	1	"LIQUID LINE,3/8""
14	VALVE-SERVICE Cat #: 31J50 Model/Part #: 31J5001	1	"SUCTION LINE,7/8""
15	FAN Cat #: 68J28 Model/Part #: 68J2801	1	"1/2""BORE,18""DIA,4 BLADE"
18	MOTOR-FAN Cat #: 68J24 Model/Part #: 68J2401	1	"1/3HP,1075RPM,208- 230/60/1"
18	MOTOR-FAN Cat #: 68J25 Model/Part #: 68J2501	1	"1/3HP,1075RPM,460/60/1"

Note:

Note1: FOR CRANKCASE HEATER SEE 90P12(40WATTS/240V), 67K90(70WATTS/240V), OR 31J21(70WATTS/480V).