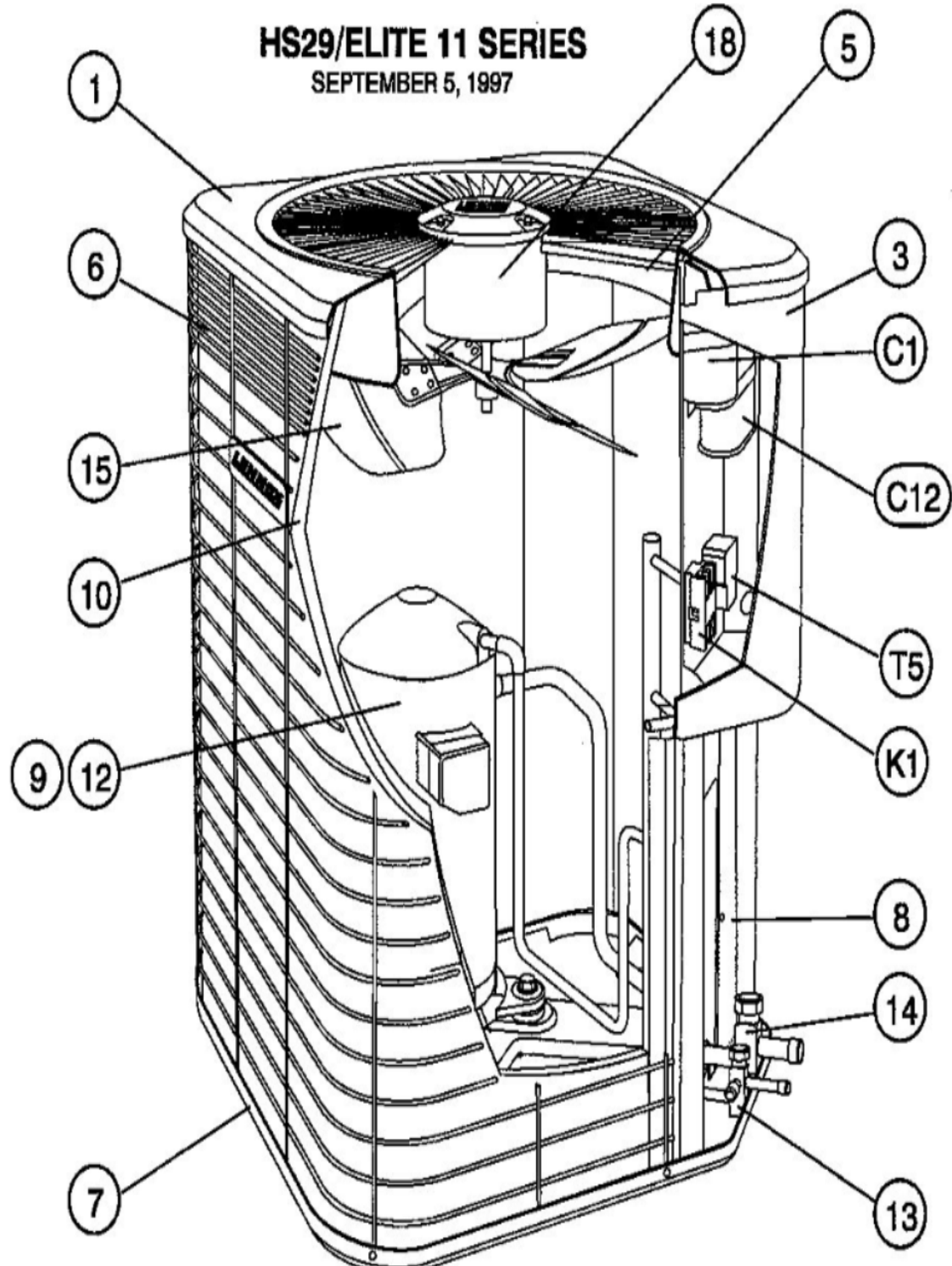


HS29/ELITE 11 SERIES
SEPTEMBER 5, 1997



Revision Number - 2

*OPTIONAL PARTS-FIELD INSTALLED

Callout	Name	Quantity	Description
	CAPACITOR-START Cat #: 21J29 Model/Part #: 21J2901	1	"270-324MFD,330VAC"
	VALVE-SADDLE Cat #: 65G91 Model/Part #: 65G9101	1	"3/8""
	SWITCH-LO PRESS Cat #: 87265 Model/Part #: P-8-10978	1	"IN 55+5PSIG,OUT 25+5PSIG"
	RELAY-POTENTIAL Cat #: 58327 Model/Part #: P-8-3577	1	SPNC
A	SWITCH-HI PRESS Cat #: 86H31 Model/Part #: 86H3101	1	OUT 410+10 PSIG
B	VALVE-SADDLE Cat #: 65G91 Model/Part #: 65G9101	1	"3/8""
HP KIT	HI PRESS CUTOUT KIT Cat #: 94J46 Model/Part #: LB-87619A	1	INC NEXT 2 PARTS
LC KIT	LOSS OF CHARGE KIT Cat #: 94J47 Model/Part #: LB-87620A	1	INC NEXT 2 PARTS
ST KIT	START-KIT Cat #: 81J69 Model/Part #: LB-31200BW	1	INC NEXT 2 PARTS

CABINET PARTS

Callout	Name	Quantity	Description
	NUT-CAP Cat #: 68J41 Model/Part #: 68J4101	4	TOP PANEL
1	PANEL-TOP Cat #: 26K58 Model/Part #: LB-86265L	1	TOP PANEL (24X24)(BEIGE) (PM)
3	COVER-CONTROL BOX Cat #: 37K03 Model/Part #: LB-86268L	1	COVER-CONTROL PANEL (BEIGE)
6	GUARD-COIL	1	OUTDOOR COIL

Callout	Name	Quantity	Description
	Cat #: 68J06 Model/Part #: 68J0601		
7	LEG Cat #: 94J45 Model/Part #: LB-87156A	1	BASE(SET OF 4)
8	COVER Cat #: 32K99 Model/Part #: LB-86272A	1	PATCH PLATE
9	COVER Cat #: 69J03 Model/Part #: 69J0301	1	SOUND- COMPRESSOR

CONTROL PANEL PARTS

Callout	Name	Quantity	Description
	CONTROL-TIMED OFF Cat #: 47J27 Model/Part #: LB-50709BK	1	(TOC1-2)(INTL&OPT)
C1	CAPACITOR Cat #: 39H89 Model/Part #: 39H8901	1	"7.5MFD,370VAC(3PH)(INTL&OPT)"
C12	CAPACITOR-RUN Cat #: 97H16 Model/Part #: 97H1601	1	"60+7.5MFD,440VAC(1PH)"
K1	CONTACTOR-COMP Cat #: 96C86 Model/Part #: 96C8601	1	"SPST,24V(1PH)"
K1	CONTACTOR Cat #: 38393 Model/Part #: P-8-7736	1	"3PDT,24V(3PH)(INTL&OPT)"
T5	TRANSFORMER Cat #: 13H79 Model/Part #: 13H7901	1	"575V PRI,460V SEC,3.4VA, L/FUSE"

COOLING PARTS

Callout	Name	Quantity	Description
	RELAY-OVERLOAD COMP- INTERNAL	1	

Callout	Name	Quantity	Description
	Cat #: Model/Part #:		
	DRIER Cat #: 12L71 Model/Part #: 12L7101	1	"LIQUID LINE,3/8""(REPLACEMENT)"
	DRIER Cat #: 15B63 Model/Part #: 15B6301	1	"SUCTION LINE,7/8""(REPLACEMENT)"
	MOUNT PKG-COMP Cat #: 54M63 Model/Part #: 15J1301PR	1	MOUNT PKG-COMP
	HARNESS-COMPRESSOR Cat #: 15M35 Model/Part #: 15M3501	1	MOLDED PLUG
	HARNESS-COMPRESSOR Cat #: 15M36 Model/Part #: 15M3601	1	MOLDED PLUG
	KIT Cat #: 42J55 Model/Part #: 42J5501	1	RFC4(.086)
	SIGHT GLASS Cat #: 57A19 Model/Part #: 57A1901	1	(OPT)
	MUFFLER Cat #: 74H69 Model/Part #: 74H6901	1	(INTL&OPT)
	FITTING PRESS TAP Cat #: 86G64 Model/Part #: 86G6401	2	(INTL&OPT)
	SWITCH-HI PRESS Cat #: 86H31 Model/Part #: 86H3101	1	OUT 410+10PSIG(INTL&OPT)
	WELL-THERMOMETER Cat #: 10J33 Model/Part #: LB-83856A	1	THERMOMETER WELL ASSY.
	SWITCH-LO PRESS Cat #: 87265 Model/Part #:	1	"IN 55+5PSIG,OUT 25+5PSIG (INTL&OPT)"

Callout	Name	Quantity	Description
	P-8-10978		
	VALVE CORE Cat #: 66820 Model/Part #: P-8-1897	2	(INTL&OPT)
10	COIL-OUTDOOR Cat #: 59L18 Model/Part #: LB-87170BF	1	W/MANIFOLD(OPT & INTL)
10	COIL-OUTDOOR Cat #: 59L19 Model/Part #: LB-87170BG	1	W/MANIFOLD
12	COMPRESSOR Cat #: 15M78 Model/Part #: 15M7801	1	"4TON,208-230/60/1,COPE (AFTER 6/01 PRO
12	COMPRESSOR Cat #: 15M83 Model/Part #: 15M8301	1	"4TON,380-420/50/3, COPE (INTL)"
13	VALVE-SERVICE Cat #: 68J10 Model/Part #: 68J1001	1	"LIQUID LINE,3/8""
14	VALVE-SERVICE Cat #: 68J13 Model/Part #: 68J1301	1	"SUCTION LINE,7/8""
15	FAN Cat #: 68J28 Model/Part #: 68J2801	1	"1/2""BORE,18""DIA,4 BLADE"
18	MOTOR-FAN Cat #: 68J24 Model/Part #: 68J2401	1	"1/3HP,1075RPM,208-230/60/1"
18	MOTOR-FAN Cat #: 68J25 Model/Part #: 68J2501	1	"1/3HP,1075RPM,460/60/1(INTL&OPT)"

Note:

Note1: FOR CRANKCASE HEATER SEE: 90P12(40WATTS/240V), 67K90(70WATTS/240V), OR 31J21 (70WATTS/480V).