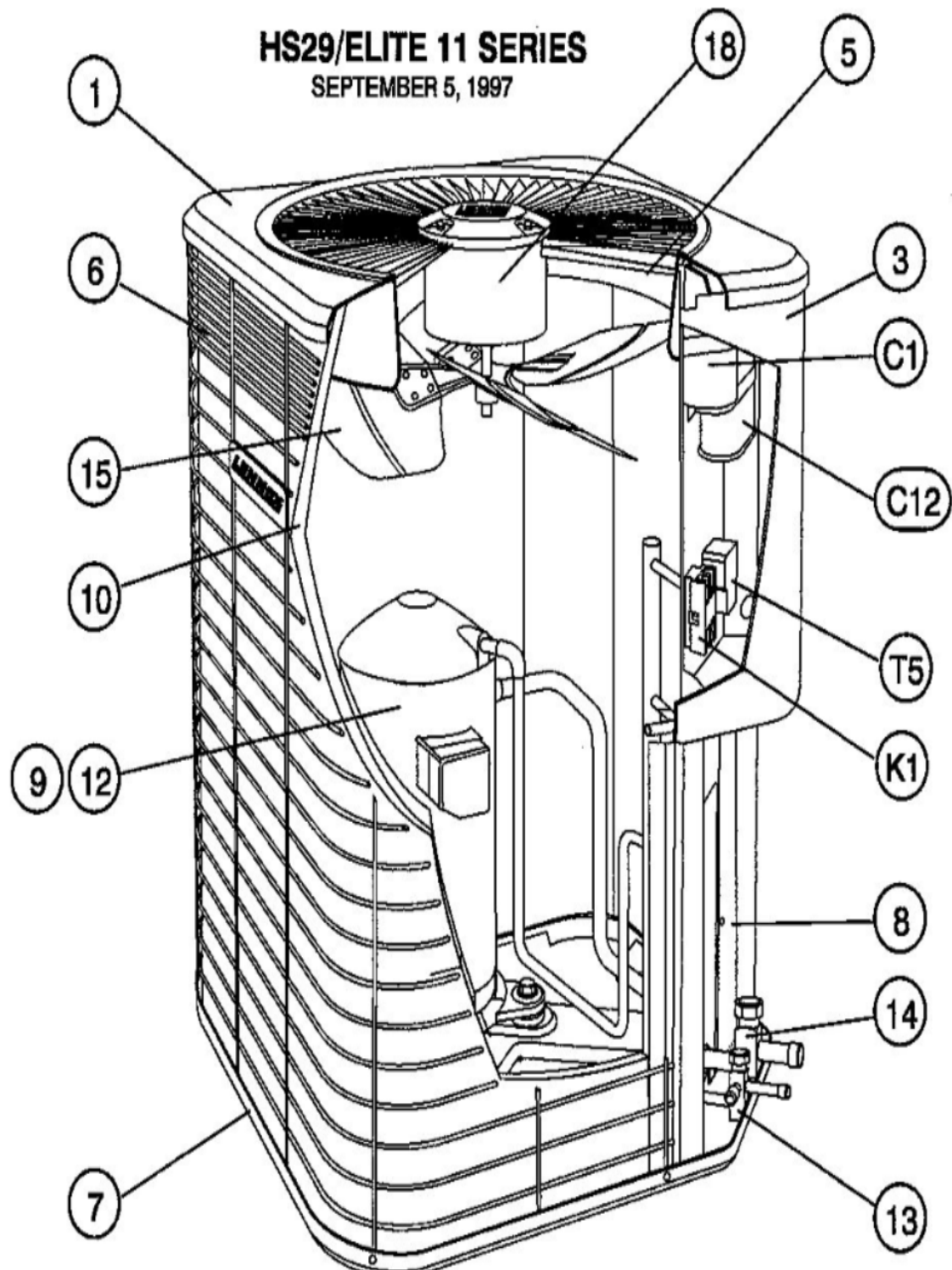


HS29/ELITE 11 SERIES

SEPTEMBER 5, 1997



Revision Number - 9

*OPTIONAL PARTS-FIELD INSTALLED

Callout	Name	Quantity	Description
	VALVE-SADDLE Cat #: 65G91 Model/Part #: 65G9101	1	"3/8""
	SWITCH-LO PRESS Cat #: 87265 Model/Part #: P-8-10978	1	"IN 55+5PSIG,OUT 25+5PSIG"
A	SWITCH-HI PRESS Cat #: 86H31 Model/Part #: 86H3101	1	OUT 410+10 PSIG
B	VALVE-SADDLE Cat #: 65G91 Model/Part #: 65G9101	1	"3/8""
HP KIT	HI PRESS CUTOUT KIT Cat #: 94J46 Model/Part #: LB-87619A	1	INC NEXT 2 PARTS
LC KIT	LOSS OF CHARGE KIT Cat #: 94J47 Model/Part #: LB-87620A	1	INC NEXT 2 PARTS

CABINET PARTS

Callout	Name	Quantity	Description
	NUT-CAP Cat #: 68J41 Model/Part #: 68J4101	4	TOP PANEL
1	PANEL-TOP Cat #: 26K58 Model/Part #: LB-86265L	1	TOP PANEL (24X24)(BEIGE) (PM)
3	COVER-CONTROL BOX Cat #: 37K03 Model/Part #: LB-86268L	1	COVER-CONTROL PANEL (BEIGE)
6	GUARD-COIL Cat #: 68J06 Model/Part #: 68J0601	1	OUTDOOR COIL
7	LEG Cat #: 94J45 Model/Part #: LB-87156A	1	BASE(SET OF 4)
8	COVER Cat #: 32K99 Model/Part #: LB-86272A	1	PATCH PLATE
9	COVER Cat #: 53J40 Model/Part #: 53J4001	1	SOUND COMPRESSOR

CONTROL PANEL PARTS

Callout	Name	Quantity	Description
	CONTROL-TIMED OFF Cat #: 47J27 Model/Part #: LB-50709BK	1	(TOC1-2)(INTL&OPT)
C1	CAPACITOR Cat #: 39H89 Model/Part #: 39H8901	1	"7.5MFD,370VAC(3PH)(INTL&OPT)"
K1	CONTACTOR Cat #: 38393 Model/Part #: P-8-7736	1	"3PDT,24V(3PH)(INTL&OPT)"
T5	TRANSFORMER Cat #: 13H79 Model/Part #: 13H7901	1	"575V PRI,460V SEC,3.4VA, L/FUSE"

COOLING PARTS

Callout	Name	Quantity	Description
	RELAY-OVERLOAD COMP-INTERNAL Cat #: Model/Part #:	1	
	DRIER Cat #: 12L71 Model/Part #: 12L7101	1	"LIQUID LINE,3/8""(REPLACEMENT)"
	DRIER Cat #: 15B63 Model/Part #: 15B6301	1	"SUCTION LINE,7/8""(REPLACEMENT)"
	KIT Cat #: 42J55 Model/Part #: 42J5501	1	RFC4(.086)
	MOUNT PKG-COMP Cat #: 49A67 Model/Part #: 49A7001PR	1	49A7001PR COMP MT PK
	SIGHT GLASS Cat #: 57A19 Model/Part #: 57A1901	1	(OPT)

Callout	Name	Quantity	Description
	MUFFLER Cat #: 74H69 Model/Part #: 74H6901	1	(INTL&OPT)
	FITTING PRESS TAP Cat #: 86G64 Model/Part #: 86G6401	2	(INTL&OPT)
	SWITCH-HI PRESS Cat #: 86H31 Model/Part #: 86H3101	1	OUT 410+10PSIG(INTL&OPT)
	SWITCH-LO PRESS Cat #: 87265 Model/Part #: P-8-10978	1	"IN 55+5PSIG,OUT 25+5PSIG (INTL&OPT)"
	VALVE CORE Cat #: 66820 Model/Part #: P-8-1897	2	(INTL&OPT)
10	COIL-OUTDOOR Cat #: 16K38 Model/Part #: LB-87170AC	1	W.MANIFOLD
12	COMPRESSOR Cat #: 68J64 Model/Part #: 68J6401	1	"4TON,575/60/3,TEC"
12	COMPRESSOR Cat #: 68J66 Model/Part #: 68J6601	1	"4TON,200-230/60/3,TEC (OPT)"
12	COMPRESSOR Cat #: 68J67 Model/Part #: 68J6701	1	"4TON,380-420/50/3,AND 460/60/3,TEC"
13	VALVE-SERVICE Cat #: 68J10 Model/Part #: 68J1001	1	"LIQUID LINE,3/8""
14	VALVE-SERVICE Cat #: 68J13 Model/Part #: 68J1301	1	"SUCTION LINE,7/8""
15	FAN Cat #: 68J28 Model/Part #: 68J2801	1	"1/2""BORE,18""DIA,4 BLADE"

Callout	Name	Quantity	Description
18	MOTOR-FAN Cat #: 68J24 Model/Part #: 68J2401	1	"1/3HP,1075RPM,208-230/60/1"
18	MOTOR-FAN Cat #: 68J25 Model/Part #: 68J2501	1	"1/3HP,1075RPM,460/60/1(INTL&OPT)"

Note:

Note1: FOR CRANKCASE HEATER SEE: 90P12(40WATTS/240V), 67K90(70WATTS/240V), OR 31J21 (70WATTS/480V).