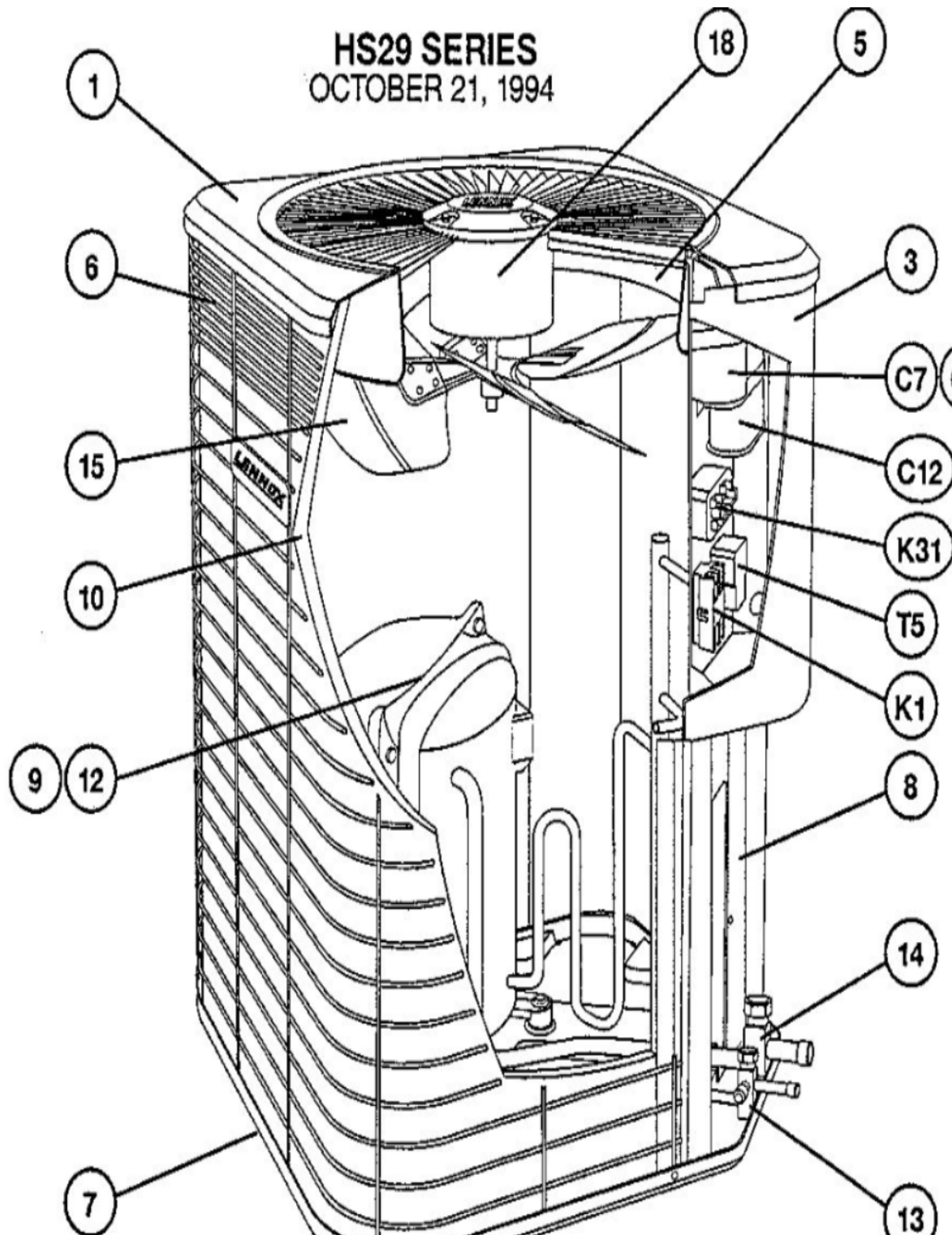


HS29 SERIES
OCTOBER 21, 1994



Revision Number - 13

*OPTIONAL PARTS-FIELD INSTALLED

Callout	Name	Quantity	Description
	VALVE-SADDLE Cat #: 65G91 Model/Part #: 65G9101	1	VALVE
	SWITCH-LO PRESS Cat #: 87265 Model/Part #: P-8-10978	1	SWITCH-LOW PRESS - use 56L45
A	SWITCH-HI PRESS Cat #: 86H31 Model/Part #: 86H3101	1	OUT 410+10 PSIG
A	RELAY-POTENTIAL Cat #: 58327 Model/Part #: P-8-3577	1	SPNC(INTL)
B	VALVE-SADDLE Cat #: 65G91 Model/Part #: 65G9101	1	"3/8"
B	CAPACITOR-START Cat #: 66083 Model/Part #: P-8-1101	1	135-155 MFD,320VAC(INTL)
HP KIT	HI PRESS CUTOFF KIT Cat #: 94J46 Model/Part #: LB-87619A	1	INC NEXT 2 PARTS
LC KIT	LOSS OF CHARGE KIT Cat #: 94J47 Model/Part #: LB-87620A	1	INC NEXT 2 PARTS
ST KIT	START KIT Cat #: 98J22 Model/Part #: LB-31200BX	1	INC NEXT 2 PARTS(INTL)

CABINET PARTS

Callout	Name	Quantity	Description
	NUT-CAP Cat #: 68J41 Model/Part #: 68J4101	4	TOP PANEL
1	PANEL-TOP Cat #: 88M43 Model/Part #: LB-86265G	1	TOP PANEL (24X24)(QUARTZ GRAY)
3	COVER-CONTROL BOX Cat #: 88M46 Model/Part #: LB-86268G	1	COVER-CONTROL PANEL (QUARTZ GRAY)

Callout	Name	Quantity	Description
6	GUARD-OUTDOOR COIL Cat #: 88M36 Model/Part #: 100320-04	1	OUTDOOR COIL
7	LEG Cat #: 94J45 Model/Part #: LB-87156A	1	BASE(SET OF 4)
8	COVER Cat #: 88M41 Model/Part #: LB-86272G	1	PATCH PLATE
9	COVER Cat #: 53J39 Model/Part #: 53J3901	1	SOUND-COMPRESSOR

CONTROL PANEL PARTS

Callout	Name	Quantity	Description
C1	CAPACITOR Cat #: 22W78 Model/Part #: 59C9201	1	"5MFD,370VAC(3PH)"
C12	CAPACITOR Cat #: 80K48 Model/Part #: 80K4801	1	"40+5MFD,440VAC (1PH)"
K1	CONTACTOR Cat #: 65C69 Model/Part #: 65C6901	1	"SPST,24V(1PH)"
K1	CONTACTOR Cat #: 38393 Model/Part #: P-8-7736	1	"3PDT,24V(3PH)"

COOLING PARTS

Callout	Name	Quantity	Description
	RELAY-OVERLOAD COMP-INTERNAL Cat #: Model/Part #:	1	
	DRIER Cat #: 12L71 Model/Part #: 12L7101	1	"LIQUID LINE-3/8" (REPLACEMENT)"
	MOUNT PKG-COMP Cat #: 54M63 Model/Part #: 15J1301PR	1	MOUNT PKG-COMP
	HARNESS-COMPRESSOR Cat #: 15M35 Model/Part #: 15M3501	1	MOLDED PLUG (1 PH)
	HARNESS-COMPRESSOR Cat #: 15M36 Model/Part #: 15M3601	1	MOLDED PLUG (3PH)

Callout	Name	Quantity	Description
	KIT Cat #: 42J48 Model/Part #: 42J4801	1	RFC4(.073)
	SWITCH-LO PRESS Cat #: 56L45 Model/Part #: 56L4501	1	"IN 55+5PSIG,OUT 25+5PSIG"
	SIGHT GLASS Cat #: 57A19 Model/Part #: 57A1901	1	SIGHT GLASS
	DRIER Cat #: 58A64 Model/Part #: 58A6401	1	"SUCTION LINE-3/4"" (REPLACEMENT)"
	MOTOR-FAN Cat #: 68J97 Model/Part #: 68J9701	1	FAN MOTOR 1/6 HP 208-230V/60/1
	FITTING PRESS TAP Cat #: 86G64 Model/Part #: 86G6401	2	FITTING, PRESSURE TAP
	SWITCH-HI PRESS Cat #: 86H31 Model/Part #: 86H3101	1	OUT 410+10PSIG
	VALVE CORE Cat #: 66820 Model/Part #: P-8-1897	2	VALVE, CORE
10	COIL-OUTDOOR Cat #: 16K37 Model/Part #: LB-87170AB	1	W/MANIFOLD
12	COMPRESSOR Cat #: 68J57 Model/Part #: 68J5701	1	"3TON,220- 240/50/1,COPE"
12	COMPRESSOR Cat #: 68J58 Model/Part #: 68J5801	1	3TON,200-230/60/3 COPE
12	COMPRESSOR Cat #: 68J59 Model/Part #: 68J5901	1	"3TON,380- 420/50/3 AND 460/60/3, COPE"
13	VALVE-SERVICE Cat #: 68J10 Model/Part #: 68J1001	1	"LIQUID LINE,3/8""
14	VALVE-SERVICE Cat #: 68J12 Model/Part #: 68J1201	1	"SUCTION LINE,3/4""
15	FAN Cat #: 68J27 Model/Part #: 68J2701	1	"1/2""BORE,18""DIA,4 BLADE"
18	MOTOR-FAN Cat #: 68J23 Model/Part #: 68J2301	1	1/6HP,1075RPM 460/60/1

Note:

There are no technical notes for this product.