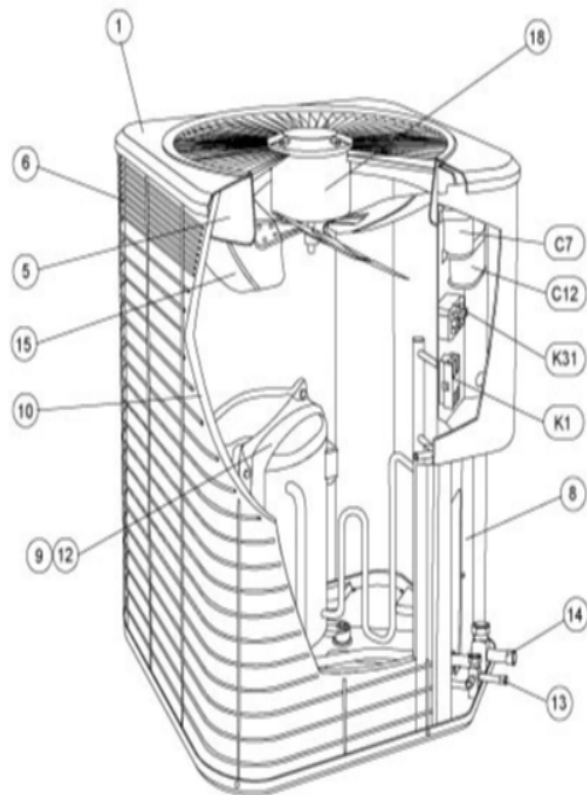


COOLING-CONDENSING
JUNE, 2007
SUPERSEDES OCTOBER, 1994

HS29 SERIES (1 PH)



Revision Number - 5

*OPTIONAL PARTS-FIELD INSTALLED

Callout	Name	Quantity	Description
	RELAY POTENTIAL Cat #: 10B17 Model/Part #: 10B1701	1	RELAY- POTENTIAL(INTL)
	CAPACITOR-START Cat #: 44A93 Model/Part #: 44A9301	1	145-175 MFD @ 330V ROUND
	CAPACITOR-START Cat #: 47A60 Model/Part #: 47A6001	1	88-108 MFD,330V AC
	VALVE-SADDLE Cat #: 65G91 Model/Part #: 65G9101	1	"3/8" ""
	SWITCH-LO PRESS Cat #: 87265 Model/Part #: P-8-10978	1	"IN 55+5PSIG,OUT 25+5PSIG"
	RELAY-POTENTIAL Cat #: 58327 Model/Part #: P-8-3577	1	SPNC
A	SWITCH-HI PRESS Cat #: 86H31 Model/Part #: 86H3101	1	OUT 410+10 PSIG
B	VALVE-SADDLE Cat #: 65G91 Model/Part #: 65G9101	1	"3/8" ""
HP KIT	HI PRESS CUTOFF KIT Cat #: 94J46 Model/Part #: LB-87619A	1	INC NEXT 2 PARTS
LC KIT	LOSS OF CHARGE KIT Cat #: 94J47 Model/Part #: LB-87620A	1	INC NEXT 2 PARTS
ST KIT	START KIT Cat #: 10J40 Model/Part #: LB-31200BK	1	INC NEXT 2 PARTS(INTL)
ST KT1	START-KIT Cat #: 10J42 Model/Part #: LB-31200BM	1	INC NEXT 2 PARTS

CABINET PARTS

Callout	Name	Quantity	Description
	NUT-CAP	4	TOP PANEL

Callout	Name	Quantity	Description
	Cat #: 68J41 Model/Part #: 68J4101		
1	PANEL-TOP Cat #: 88M43 Model/Part #: LB-86265G	1	TOP PANEL (24X24)(QUARTZ GRAY)
3	COVER-CONTROL BOX Cat #: 88M45 Model/Part #: LB-86271G	1	COVER- CONTROL PANEL (QUARTZ GRAY)
6	GUARD Cat #: 88M55 Model/Part #: 100320-03	1	OUTDOOR COIL
7	LEG Cat #: 94J45 Model/Part #: LB-87156A	1	BASE(SET OF 4)
8	COVER Cat #: 88M41 Model/Part #: LB-86272G	1	PATCH PLATE
9	COVER Cat #: 69J03 Model/Part #: 69J0301	1	SOUND- COMPRESSOR

CONTROL PANEL PARTS

Callout	Name	Quantity	Description
C12	CAPACITOR-FAN&RUN Cat #: 53H29 Model/Part #: 39H8601	1	45+5MFD,440VAC(INTL)
C12	CAPACITOR-FAN&RUN Cat #: 49M68 Model/Part #: 49M6801	1	"35+5MFD,440VAC"
K1	CONTACTOR Cat #: 65C69 Model/Part #: 65C6901	1	"SPST,24V"

COOLING PARTS

Callout	Name	Quantity	Description
	RELAY-OVERLOAD COMP-INTERNAL Cat #: Model/Part #:	1	
	DRIER Cat #: 12L71 Model/Part #: 12L7101	1	"LIQUID LINE-3/8" (REPLACEMENT)"

Callout	Name	Quantity	Description
	HARNESS-COMPRESSOR Cat #: 15M35 Model/Part #: 15M3501	1	MOLDED PLUG
	KIT Cat #: 42J45 Model/Part #: 42J4501	1	RFC4(.067)
	SWITCH-LO PRESS Cat #: 56L45 Model/Part #: 56L4501	1	"IN 55+5PSIG,OUT 25+5PSIG (OPT)"
	SIGHT GLASS Cat #: 57A19 Model/Part #: 57A1901	1	(OPT)
	DRIER Cat #: 58A64 Model/Part #: 58A6401	1	"SUCTION LINE- 3/4" (REPLACEMENT)"
	FITTING PRESS TAP Cat #: 86G64 Model/Part #: 86G6401	2	(OPT)
	SWITCH-HI PRESS Cat #: 86H31 Model/Part #: 86H3101	1	OUT 410+10PSIG (OPT)
	KIT-COMPR MTG Cat #: 87F70 Model/Part #: 87F7001PR	1	MOUNT PKG-COMP
	VALVE CORE Cat #: 66820 Model/Part #: P-8-1897	2	(OPT)
10	COIL-OUTDOOR Cat #: 10L01 Model/Part #: LB-87170AK	1	W/MANIFOLD
12	COMPRESSOR Cat #: 15M52 Model/Part #: 15M5201	1	2-1/2TON,220- 240/50/1,COPE(INTL)
12	COMPRESSOR Cat #: 15M65 Model/Part #: 15M6501	1	"2-1/2TON,208- 230/60/1,COPE"
13	VALVE-SERVICE Cat #: 68J10 Model/Part #: 68J1001	1	"LIQUID LINE,3/8"'"
14	VALVE-SERVICE Cat #: 68J12 Model/Part #: 68J1201	1	"SUCTION LINE,3/4"'"
15	FAN Cat #: 68J26 Model/Part #: 68J2601	1	"1/2"'"BORE,18"'"DIA,3 BLADE"
18	MOTOR-FAN Cat #: 68J97 Model/Part #: 68J9701	1	"1/6HP,1075RPM,208- 230/60/1"

Note:

There are no technical notes for this product.