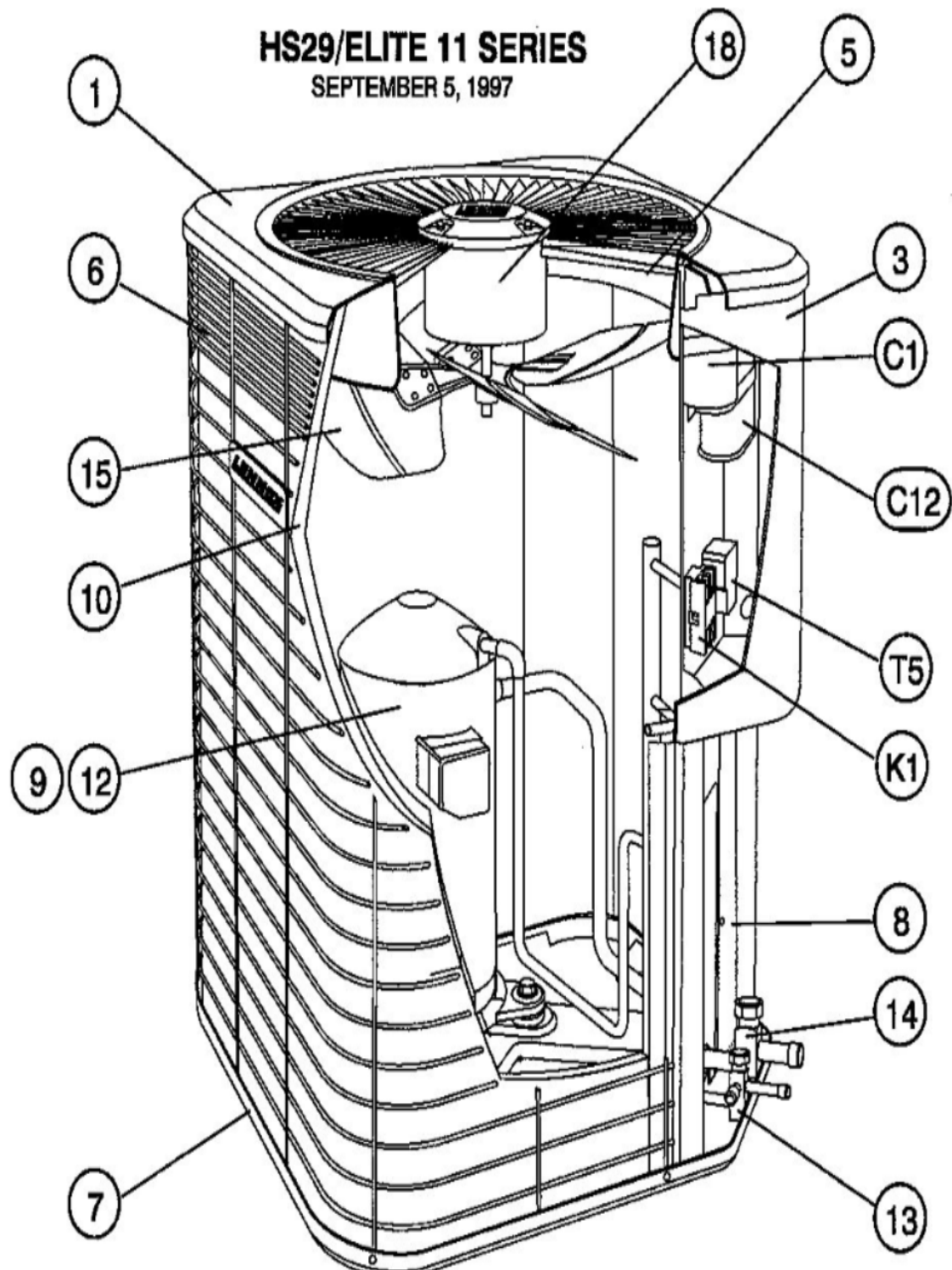


HS29/ELITE 11 SERIES

SEPTEMBER 5, 1997



Revision Number - 9

*OPTIONAL PARTS-FIELD INSTALLED

| Callout | Name | Quantity | Description |
|---------|---|----------|------------------------------------|
| | RELAY POTENTIAL Cat #: 10B17 Model/Part #: 10B1701 | 1 | RELAY- POTENTIAL(INTL) |
| | CAPACITOR-START Cat #: 44A93 Model/Part #: 44A9301 | 1 | 145-175 MFD @ 330VAC(INTL) |
| | VALVE-SADDLE Cat #: 65G91 Model/Part #: 65G9101 | 1 | VALVE |
| | SWITCH-LO PRESS Cat #: 87265 Model/Part #: P-8-10978 | 1 | SWITCH-LOW PRESS - use 56L45 |
| A | SWITCH-HI PRESS Cat #: 86H31 Model/Part #: 86H3101 | 1 | OUT 410+10 PSIG |
| B | VALVE-SADDLE Cat #: 65G91 Model/Part #: 65G9101 | 1 | "3/8" |
| HP KIT | HI PRESS CUTOUT KIT Cat #: 94J46 Model/Part #: LB-87619A | 1 | INC NEXT 2 PARTS |
| LC KIT | LOSS OF CHARGE KIT Cat #: 94J47 Model/Part #: LB-87620A | 1 | INC NEXT 2 PARTS |
| ST KIT | START KIT Cat #: 10J40 Model/Part #: LB-31200BK | 1 | INC NEXT 2 PARTS(INTL) |

CABINET PARTS

| Callout | Name | Quantity | Description |
|---------|---|----------|----------------------------------|
| | NUT-CAP Cat #: 68J41 Model/Part #: 68J4101 | 4 | TOP PANEL |
| 1 | PANEL-TOP Cat #: 26K58 Model/Part #: LB-86265L | 1 | TOP PANEL (24X24)(BEIGE) (PM) |
| 3 | COVER-CONTROL BOX Cat #: 45M90 Model/Part #: LB-86271A | 1 | CVR-CTL PNL(BEIGE) |
| 6 | GUARD-OUTDOOR COIL | 1 | OUTDOOR COIL |

| Callout | Name | Quantity | Description |
|---------|---|----------|----------------------|
| | Cat #: 68J04 Model/Part #: 68J0401 | | |
| 7 | LEG Cat #: 94J45 Model/Part #: LB-87156A | 1 | BASE(SET OF 4) |
| 8 | COVER Cat #: 68K48 Model/Part #: LB-86276A | 1 | PATCH PLATE |
| 9 | COVER Cat #: 69J17 Model/Part #: 69J1701 | 1 | SOUND- COMPRESSOR |

CONTROL PANEL PARTS

| Callout | Name | Quantity | Description |
|---------|--|----------|--------------------------------|
| | CONTROL-TIMED OFF Cat #: 47J27 Model/Part #: LB-50709BK | 1 | (TOC1-2)(OPT) |
| C12 | CAPACITOR-FAN&RUN Cat #: 63K86 Model/Part #: 63K8601 | 1 | "35+5MFD,370VAC (TEC COMP)" |
| K1 | CONTACTOR Cat #: 68J36 Model/Part #: 68J3601 | 1 | "DPDT,24V" |

COOLING PARTS

| Callout | Name | Quantity | Description |
|---------|---|----------|--------------------------------------|
| | RELAY-OVERLOAD COMP-INTERNAL Cat #: Model/Part #: | 1 | |
| | DRIER Cat #: 12L71 Model/Part #: 12L7101 | 1 | "LIQUID LINE-3/8" (REPLACEMENT)" |
| | DRIER Cat #: 58A64 Model/Part #: 58A6401 | 1 | "SUCTION LINE-3/4" (REPLACEMENT)" |
| | KIT Cat #: 66J87 Model/Part #: 66J8701 | 1 | RFC4(.062) |
| | FITTING PRESS TAP Cat #: 86G64 Model/Part #: 86G6401 | 2 | (INTL&OPT) |
| | SWITCH-HI PRESS Cat #: 86H31 Model/Part #: 86H3101 | 1 | OUT 410+10PSIG(INTL&OPT) |

| Callout | Name | Quantity | Description |
|----------------|---|-----------------|--|
| | KIT-COMPR MTG Cat #: 87F70 Model/Part #: 87F7001PR | 1 | TECUMSEH COMP |
| | SWITCH-LO PRESS Cat #: 87265 Model/Part #: P-8-10978 | 1 | "IN 55+5PSIG,OUT 25+5PSIG (INTL&OPT)" |
| | VALVE CORE Cat #: 66820 Model/Part #: P-8-1897 | 2 | (INTL&OPT) |
| 10 | COIL-OUTDOOR Cat #: 16K35 Model/Part #: LB-87170Y | 1 | W/MANIFOLD |
| 13 | VALVE-SERVICE Cat #: 68J10 Model/Part #: 68J1001 | 1 | "LIQUID-LINE,3/8"" |
| 14 | VALVE-SERVICE Cat #: 67K18 Model/Part #: 67K1801 | 1 | "SUCTION LINE,5/8""(TEC COMP)" |
| 15 | FAN Cat #: 68J26 Model/Part #: 68J2601 | 1 | "1/2""BORE,18""DIA,3 BLADE" |
| 18 | MOTOR-FAN Cat #: 68J97 Model/Part #: 68J9701 | 1 | "1/6HP,1075RPM,208- 230/60/1" |

INTERNATIONAL PARTS ONLY

| Callout | Name | Quantity | Description |
|----------------|--|-----------------|-----------------------------------|
| 12 | COMPRESSOR Cat #: 78H27 Model/Part #: 78H2701 | 1 | "2TON,220- 240/50/1,TEC(INTL)" |

Note:

There are no technical notes for this product.