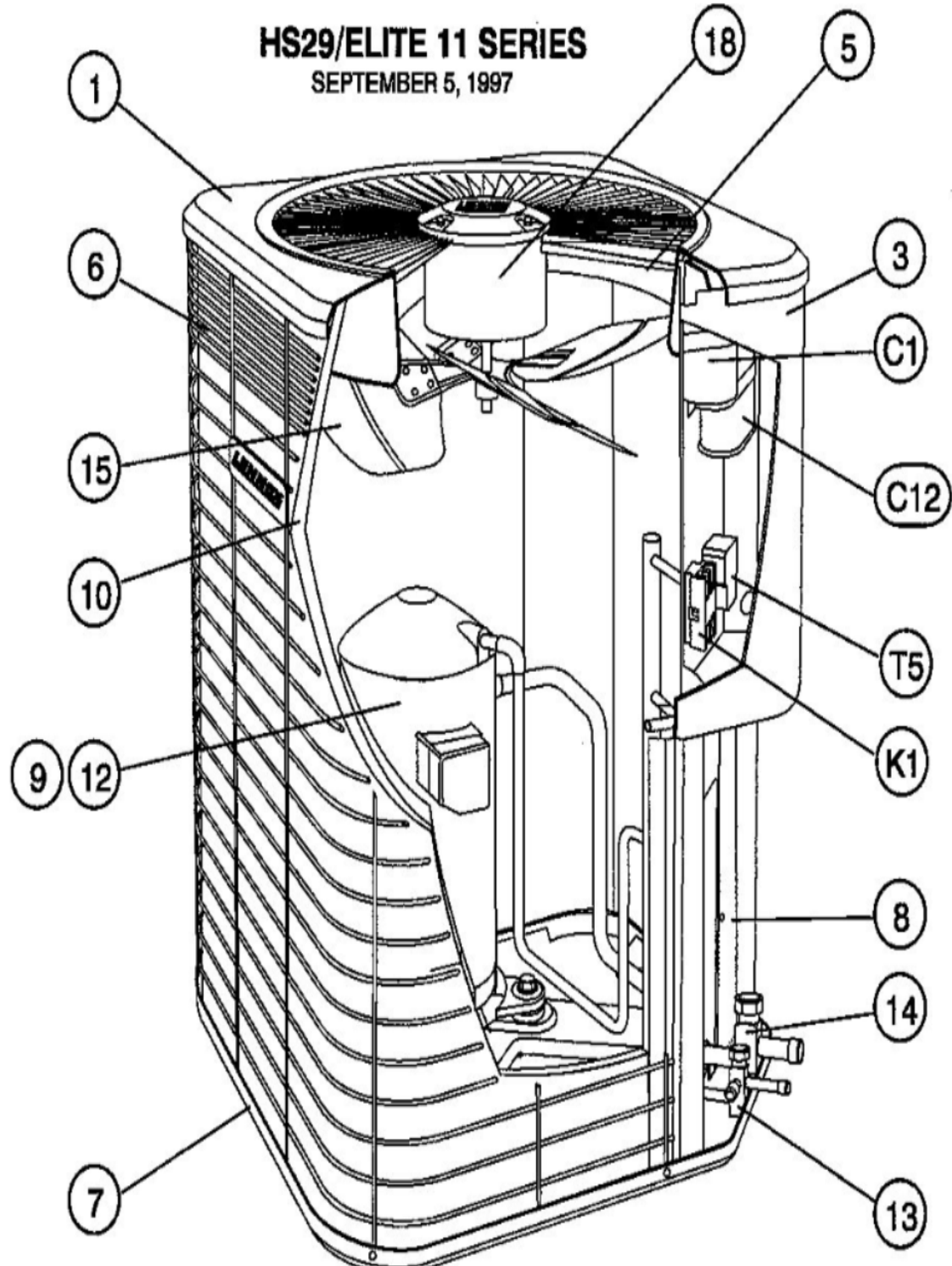


HS29/ELITE 11 SERIES
SEPTEMBER 5, 1997



Revision Number - 10

*OPTIONAL PARTS-FIELD INSTALLED

Callout	Name	Quantity	Description
	RELAY POTENTIAL Cat #: 10B17 Model/Part #: 10B1701	1	RELAY- POTENTIAL(INTL)
	CAPACITOR-START Cat #: 44A93 Model/Part #: 44A9301	1	145-175 MFD @ 330VAC(INTL)
	VALVE-SADDLE Cat #: 65G91 Model/Part #: 65G9101	1	VALVE
	SWITCH-LO PRESS Cat #: 87265 Model/Part #: P-8-10978	1	SWITCH-LOW PRESS - use 56L45
A	SWITCH-HI PRESS Cat #: 86H31 Model/Part #: 86H3101	1	OUT 410+10 PSIG
B	VALVE-SADDLE Cat #: 65G91 Model/Part #: 65G9101	1	"3/8"
HP KIT	HI PRESS CUTOUT KIT Cat #: 94J46 Model/Part #: LB-87619A	1	INC NEXT 2 PARTS
LC KIT	LOSS OF CHARGE KIT Cat #: 94J47 Model/Part #: LB-87620A	1	INC NEXT 2 PARTS
ST KIT	START KIT Cat #: 10J40 Model/Part #: LB-31200BK	1	INC NEXT 2 PARTS(INTL)

CABINET PARTS

Callout	Name	Quantity	Description
	NUT-CAP Cat #: 68J41 Model/Part #: 68J4101	4	TOP PANEL
1	PANEL-TOP Cat #: 26K58 Model/Part #: LB-86265L	1	TOP PANEL (24X24)(BEIGE) (PM)
3	COVER-CONTROL BOX Cat #: 45M90 Model/Part #: LB-86271A	1	CVR-CTL PNL(BEIGE)
6	GUARD-OUTDOOR COIL	1	OUTDOOR COIL

Callout	Name	Quantity	Description
	Cat #: 68J04 Model/Part #: 68J0401		
7	LEG Cat #: 94J45 Model/Part #: LB-87156A	1	BASE(SET OF 4)
8	COVER Cat #: 68K48 Model/Part #: LB-86276A	1	PATCH PLATE
9	COVER Cat #: 69J17 Model/Part #: 69J1701	1	SOUND- COMPRESSOR

CONTROL PANEL PARTS

Callout	Name	Quantity	Description
	CONTROL-TIMED OFF Cat #: 47J27 Model/Part #: LB-50709BK	1	(TOC1-2)(OPT)
C12	CAPACITOR-FAN&RUN Cat #: 63K86 Model/Part #: 63K8601	1	"35+5MFD,370VAC (TEC COMP)"
K1	CONTACTOR Cat #: 65C69 Model/Part #: 65C6901	1	"SPST,24V"

COOLING PARTS

Callout	Name	Quantity	Description
	RELAY-OVERLOADCOMP-INTERNAL Cat #: Model/Part #:	1	
	DRIER Cat #: 12L71 Model/Part #: 12L7101	1	"LIQUID LINE-3/8" (REPLACEMENT)"
	DRIER Cat #: 58A64 Model/Part #: 58A6401	1	"SUCTION LINE-3/4" (REPLACEMENT)"
	KIT Cat #: 66J87 Model/Part #: 66J8701	1	RFC4(.062)
	FITTING PRESS TAP Cat #: 86G64 Model/Part #: 86G6401	2	(INTL&OPT)
	SWITCH-HI PRESS Cat #: 86H31 Model/Part #: 86H3101	1	OUT 410+10PSIG(INTL&OPT)

Callout	Name	Quantity	Description
	KIT-COMPR MTG Cat #: 87F70 Model/Part #: 87F7001PR	1	TECUMSEH COMP
	SWITCH-LO PRESS Cat #: 87265 Model/Part #: P-8-10978	1	"IN 55+5PSIG,OUT 25+5PSIG (INTL&OPT)"
	VALVE CORE Cat #: 66820 Model/Part #: P-8-1897	2	(INTL&OPT)
10	COIL-OUTDOOR Cat #: 16K35 Model/Part #: LB-87170Y	1	W/MANIFOLD
13	VALVE-SERVICE Cat #: 68J10 Model/Part #: 68J1001	1	"LIQUID-LINE,3/8""
14	VALVE-SERVICE Cat #: 67K18 Model/Part #: 67K1801	1	"SUCTION LINE,5/8""(TEC COMP)"
15	FAN Cat #: 68J26 Model/Part #: 68J2601	1	"1/2""BORE,18""DIA,3 BLADE"
18	MOTOR-FAN Cat #: 68J97 Model/Part #: 68J9701	1	"1/6HP,1075RPM,208- 230/60/1"

INTERNATIONAL PARTS ONLY

Callout	Name	Quantity	Description
12	COMPRESSOR Cat #: 78H27 Model/Part #: 78H2701	1	"2TON,220- 240/50/1,TEC(INTL)"

Note:

There are no technical notes for this product.