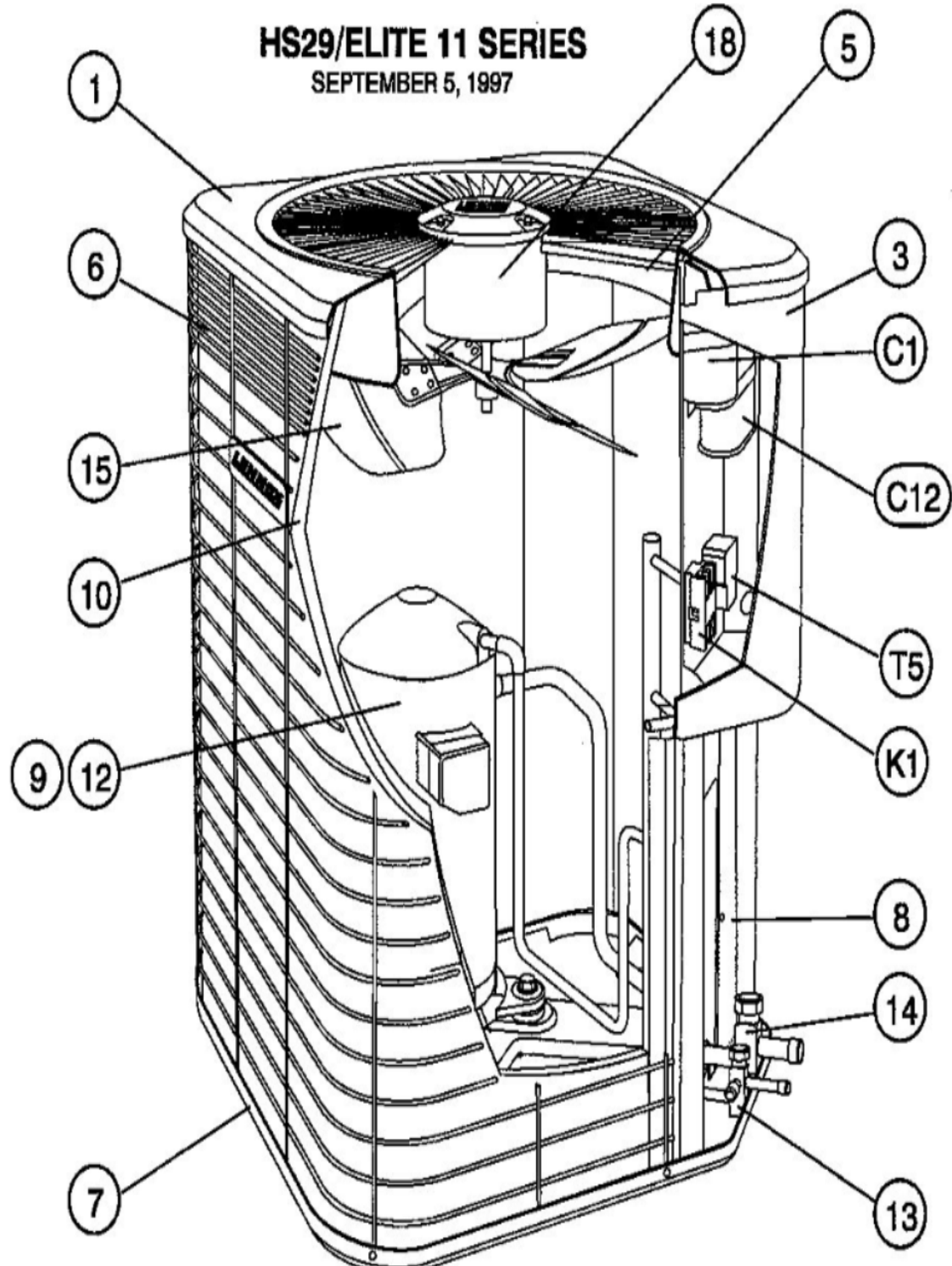


HS29/ELITE 11 SERIES
SEPTEMBER 5, 1997



Revision Number - 1

*OPTIONAL PARTS-FIELD INSTALLED

Callout	Name	Quantity	Description
	VALVE-SADDLE Cat #: 65G91 Model/Part #: 65G9101	1	"3/8""
	SWITCH-LO PRESS Cat #: 87265 Model/Part #: P-8-10978	1	"IN 55+5PSIG,OUT 25+5PSIG"
A	SWITCH-HI PRESS Cat #: 86H31 Model/Part #: 86H3101	1	OUT 410+10 PSIG
B	VALVE-SADDLE Cat #: 65G91 Model/Part #: 65G9101	1	"3/8"
HP KIT	HI PRESS CUTOUT KIT Cat #: 94J46 Model/Part #: LB-87619A	1	INC NEXT 2 PARTS
LC KIT	LOSS OF CHARGE KIT Cat #: 94J47 Model/Part #: LB-87620A	1	INC NEXT 2 PARTS

CABINET PARTS

Callout	Name	Quantity	Description
	NUT-CAP Cat #: 68J41 Model/Part #: 68J4101	4	TOP PANEL
1	PANEL-TOP Cat #: 26K58 Model/Part #: LB-86265L	1	TOP PANEL (24X24)(BEIGE) (PM)
3	COVER-CONTROL BOX Cat #: 45M90 Model/Part #: LB-86271A	1	CVR-CTL PNL(BEIGE)
5	ORIFICE Cat #: 68J46 Model/Part #: 68J4601	1	"18"" (OPT)"
6	GUARD-OUTDOOR COIL Cat #: 68J04 Model/Part #: 68J0401	1	OUTDOOR COIL
7	LEG Cat #: 94J45 Model/Part #: LB-87156A	1	BASE(SET OF 4)
8	COVER Cat #: 68K48 Model/Part #: LB-86276A	1	PATCH PLATE

Callout	Name	Quantity	Description
9	COVER Cat #: 69J17 Model/Part #: 69J1701	1	SOUND-COMPRESSOR

CONTROL PANEL PARTS

Callout	Name	Quantity	Description
	CAPACITOR-START Cat #: 44A93 Model/Part #: 44A9301	1	"145-175MFD,330VAC (TEC COMP)"
	RELAY-POTENTIAL Cat #: 58H66 Model/Part #: 58H6601	1	SPNC (TEC COMP)
	CONTROL-TIMED OFF Cat #: 47J27 Model/Part #: LB-50709BK	1	(TOC1-2)(OPT)
C12	CAPACITOR-FAN&RUN Cat #: 63K86 Model/Part #: 63K8601	1	"35+5MFD,370VAC (TEC COMP)"
K1	CONTACTOR Cat #: 68J36 Model/Part #: 68J3601	1	"DPDT,24V"

COOLING PARTS

Callout	Name	Quantity	Description
	RELAY-OVERLOAD COMP-INTERNAL Cat #: Model/Part #:	1	
	DRIER Cat #: 12L71 Model/Part #: 12L7101	1	"LIQUID LINE-3/8"" (REPLACEMENT)"
	SIGHT GLASS Cat #: 57A19 Model/Part #: 57A1901	1	(OPT)
	DRIER Cat #: 58A64 Model/Part #: 58A6401	1	"SUCTION LINE-3/4"" (REPLACEMENT)"
	KIT Cat #: 66J87 Model/Part #: 66J8701	1	RFC4(.062)
	FITTING PRESS TAP Cat #: 86G64 Model/Part #: 86G6401	2	(INTL&OPT)
	SWITCH-HI PRESS	1	OUT

Callout	Name	Quantity	Description
	Cat #: 86H31 Model/Part #: 86H3101		410+10PSIG(INTL&OPT)
	KIT-COMPR MTG Cat #: 87F70 Model/Part #: 87F7001PR	1	TECUMSEH COMP
	WELL-THERMOMETER Cat #: 10J33 Model/Part #: LB-83856A	1	THERMOMETER WELL ASSY.
	SWITCH-LO PRESS Cat #: 87265 Model/Part #: P-8-10978	1	"IN 55+5PSIG,OUT 25+5PSIG (INTL&OPT)"
	VALVE CORE Cat #: 66820 Model/Part #: P-8-1897	2	(INTL&OPT)
10	COIL-OUTDOOR Cat #: 16K35 Model/Part #: LB-87170Y	1	W/MANIFOLD
12	COMPRESSOR Cat #: 63K68 Model/Part #: 63K6801	1	"2TON,208-230/60/1,TEC"
12	COMPRESSOR Cat #: 63K70 Model/Part #: 63K7001	1	"2TON,208-230/60/1,TEC(OPT)"
13	VALVE-SERVICE Cat #: 68J10 Model/Part #: 68J1001	1	"LIQUID-LINE,3/8""
14	VALVE-SERVICE Cat #: 67K18 Model/Part #: 67K1801	1	"SUCTION LINE,5/8""(TEC COMP)"
15	FAN Cat #: 68J26 Model/Part #: 68J2601	1	"1/2""BORE,18""DIA,3 BLADE"
18	MOTOR-FAN Cat #: 68J97 Model/Part #: 68J9701	1	"1/6HP,1075RPM,208-230/60/1"

Note:

There are no technical notes for this product.