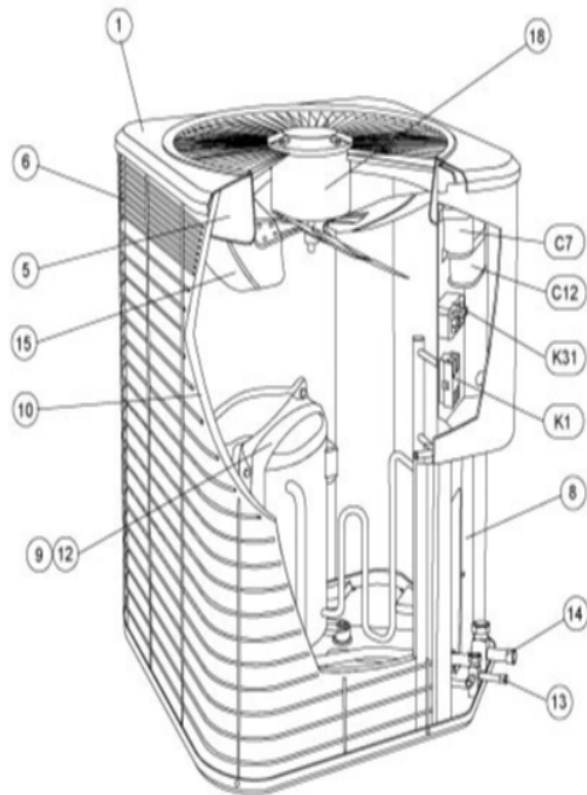


COOLING-CONDENSING
JUNE, 2007
SUPERSEDES OCTOBER, 1994

HS29 SERIES (1 PH)



Revision Number - 5

*OPTIONAL PARTS-FIELD INSTALLED

Callout	Name	Quantity	Description
	VALVE-SADDLE Cat #: 65G91 Model/Part #: 65G9101	1	"3/8" SADDLE VALVE"
	SWITCH-LO PRESS Cat #: 87265 Model/Part #: P-8-10978	1	"IN 55+5PSIG,OUT 25+5PSIG"
A	SWITCH-HI PRESS Cat #: 86H31 Model/Part #: 86H3101	1	OUT 410+10 PSIG
B	VALVE-SADDLE Cat #: 65G91 Model/Part #: 65G9101	1	"3/8"
HP KIT	HI PRESS CUTOUT KIT Cat #: 94J46 Model/Part #: LB-87619A	1	INC NEXT 2 PARTS
LC KIT	LOSS OF CHARGE KIT Cat #: 94J47 Model/Part #: LB-87620A	1	INC NEXT 2 PARTS

CABINET PARTS

Callout	Name	Quantity	Description
	NUT-CAP Cat #: 68J41 Model/Part #: 68J4101	4	TOP PANEL
1	PANEL-TOP Cat #: 88M43 Model/Part #: LB-86265G	1	TOP PANEL (24X24)(QUARTZ GRAY)
3	COVER-CONTROL BOX Cat #: 88M45 Model/Part #: LB-86271G	1	COVER-CONTROL PANEL (QUARTZ GRAY)
6	GUARD Cat #: 88M35 Model/Part #: 100320-02	1	OUTDOOR COIL
7	LEG Cat #: 94J45 Model/Part #: LB-87156A	1	BASEFEET KIT (SET OF 4)
8	COVER Cat #: 88M40 Model/Part #: LB-86276G	1	PATCH PLATE

Callout	Name	Quantity	Description
9	COVER Cat #: 53J39 Model/Part #: 53J3901	1	SOUND COMPRESSOR

CONTROL PANEL PARTS

Callout	Name	Quantity	Description
	CAPACITOR-START Cat #: 44A93 Model/Part #: 44A9301	1	"145MFD,330VAC"
	RELAY-POTENTIAL Cat #: 58H66 Model/Part #: 58H6601	1	SPNC
C12	CAPACITOR-FAN&RUN Cat #: 69M30 Model/Part #: 69M3001	1	"25+5MFD,440VAC"
K1	CONTACTOR Cat #: 65C69 Model/Part #: 65C6901	1	"SPST,24V"

COOLING PARTS

Callout	Name	Quantity	Description
	RELAY-OVERLOAD COMP-INTERNAL Cat #: Model/Part #:	1	
	DRIER Cat #: 12L71 Model/Part #: 12L7101	1	"LIQUID LINE- 3/8" "(REPLACEMENT)"
	HARNESS-COMPRESSOR Cat #: 15M35 Model/Part #: 15M3501	1	MOLDED PLUG
	KIT Cat #: 42J40 Model/Part #: 42J4001	1	RFC4(.057)
	SWITCH-LO PRESS Cat #: 56L45 Model/Part #: 56L4501	1	"IN 55+5PSIG,OUT 25+5PSIG (OPT)"
	SIGHT GLASS Cat #: 57A19 Model/Part #: 57A1901	1	SIGHT GLASS (OPT)
	DRIER Cat #: 58A64 Model/Part #: 58A6401	1	"SUCTION LINE- 3/4""(REPLACEMENT)"
	FITTING PRESS TAP Cat #: 86G64 Model/Part #: 86G6401	2	PRESS TAP FTG(OPT)

Callout	Name	Quantity	Description
	SWITCH-HI PRESS Cat #: 86H31 Model/Part #: 86H3101	1	OUT 410+10PSIG (OPT)
	KIT-COMPR MTG Cat #: 87F70 Model/Part #: 87F7001PR	1	MOUNT PKG-COMP
	VALVE CORE Cat #: 66820 Model/Part #: P-8-1897	2	VALV CORE (OPT)
10	COIL-OUTDOOR Cat #: 16K35 Model/Part #: LB-87170Y	1	W/MANIFOLD
12	COMPRESSOR Cat #: 56M94 Model/Part #: 56M9401	1	"1-1/2TON,208- 230/60/1/COPE"
12	COMPRESSOR Cat #: 60M51 Model/Part #: 60M5101	1	"1-1/2TON,208- 230/60/1,COPE (OPT)"
13	VALVE-SERVICE Cat #: 68J10 Model/Part #: 68J1001	1	"LIQUID LINE,3/8""
14	VALVE-SERVICE Cat #: 67K18 Model/Part #: 67K1801	1	"SUCTION LINE,5/8""
15	FAN Cat #: 68J26 Model/Part #: 68J2601	1	"1/2""BORE,18""DIA,3 BLADE"
18	MOTOR-FAN Cat #: 68J97 Model/Part #: 68J9701	1	"1/6HP,1075RPM,208- 230//60/1"

Note:

There are no technical notes for this product.