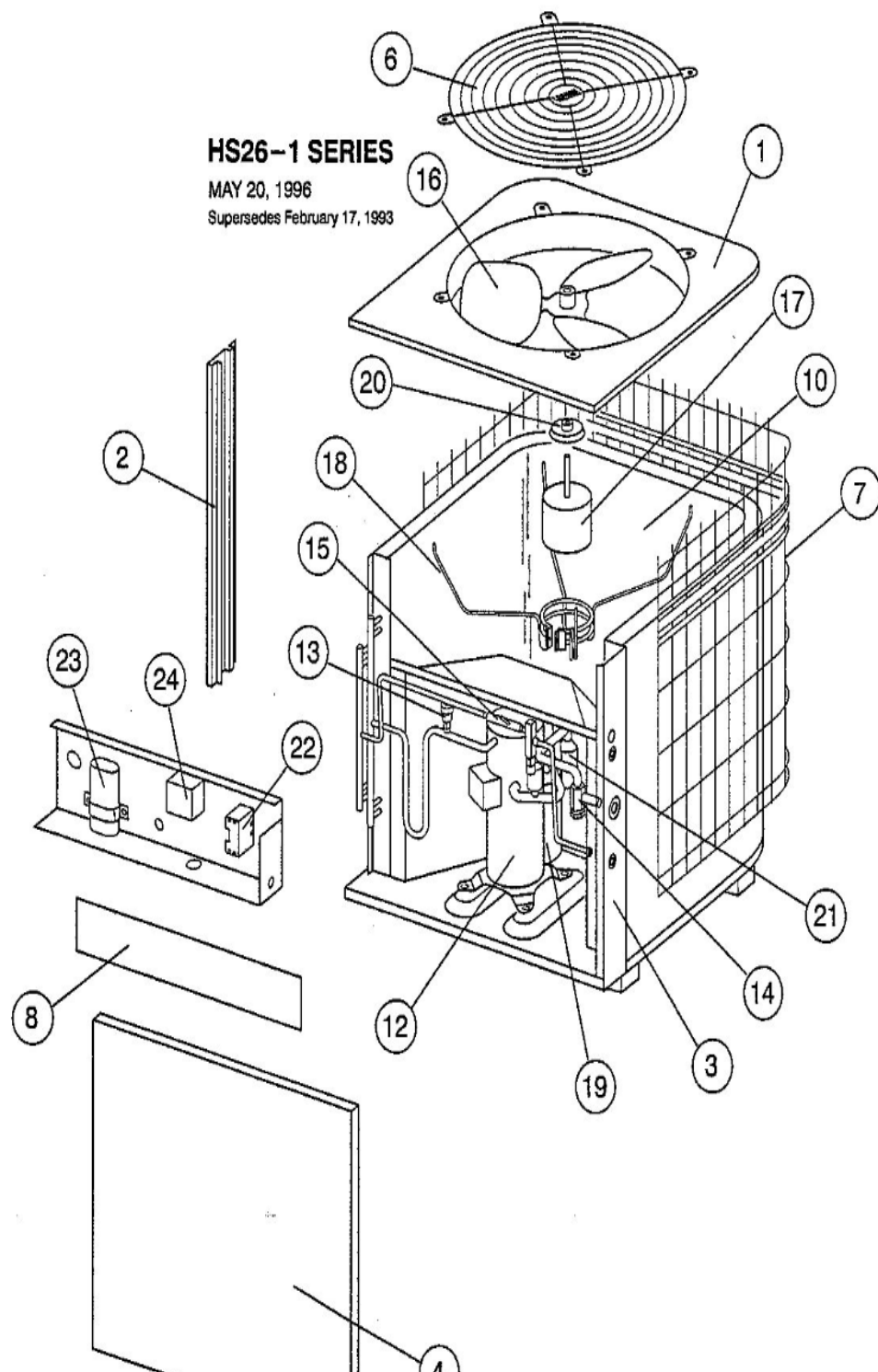


HS26--1 SERIES

MAY 20, 1996

Supersedes February 17, 1993



Revision Number - 1

*OPTIONAL PARTS-FIELD INSTALLED

Callout	Name	Quantity	Description
	CAPACITOR-START Cat #: 47A60 Model/Part #: 47A6001	1	"88MFD,330VAC"
	VALVE-SADDLE Cat #: 65G91 Model/Part #: 65G9101	1	VALVE
	TEE Cat #: 87071 Model/Part #: P-8-10569	1	SCHRADER DEPRESSOR
	NUT Cat #: 59498 Model/Part #: P-8-1218	1	FLARE
	CAP-SEAL Cat #: 58114 Model/Part #: P-8-3187	1	CAP, BRASS
	RELAY-POTENTIAL Cat #: 58327 Model/Part #: P-8-3577	1	SPNC
	FITTING Cat #: 59784 Model/Part #: P-8-4934	1	STRAIN RELIEF
	SWITCH-LO PRESS Cat #: 68493 Model/Part #: P-8-6383	1	"IN 285PSIG,OUT 140PSIG"
LB KIT	LOW AMBIENT KIT Cat #: 24H77 Model/Part #: LB-57113BC	1	INC NEXT 6 PARTS
ST KIT	START-KIT Cat #: 10J42 Model/Part #: LB-31200BM	1	INC NEXT 2 PARTS

CABINET PARTS

Callout	Name	Quantity	Description
	LEG-BASE Cat #: 65G67 Model/Part #: 65G6701	2	BASE
	NUT Cat #: 73K93 Model/Part #: 73K9301	4	NUT-RETAINING
	BASE Cat #: 16J62 Model/Part #: LB-58810CC	1	CONDENSER

Callout	Name	Quantity	Description
1	PANEL-TOP Cat #: 55H50 Model/Part #: LB-62529A	1	TOP PANEL
2	MULLION Cat #: 98H02 Model/Part #: LB-78847	1	LEFT
3	MULLION Cat #: 44J11 Model/Part #: LB-84308	1	RIGHT
4	PANEL Cat #: 96H96 Model/Part #: LB-59022CK	1	ACCESS
6	GRILLE-DISCHARGE Cat #: 63K60 Model/Part #: 63K6001	1	GRILLE-DISCHARGE
7	GUARD-COIL Cat #: 31K15 Model/Part #: 31K1501	1	COIL GUARD

CONTROL PANEL PARTS

Callout	Name	Quantity	Description
22	CONTACTOR Cat #: 65C69 Model/Part #: 65C6901	1	"SPST,24V"
23	CAPACITOR-RUN Cat #: 53H23 Model/Part #: 39H8001	1	"30+5MFD,370VAC"
24	RELAY-DELAY Cat #: 16H80 Model/Part #: LB-50709BB	1	NO SAP KIT-CONT

COOLING PARTS

Callout	Name	Quantity	Description
	DISTRIBUTORW/TUBES Cat #: Model/Part #:	1	
	DRIER Cat #: 63C98 Model/Part #: 63C9801	1	SUCTION LINE
	DRIER Cat #: 69H06 Model/Part #: 69H0601	1	LIQUID LINE
	FITTING PRESS TAP Cat #: 86G64 Model/Part #: 86G6401	2	FITTING, PRESSURE TAP

Callout	Name	Quantity	Description
	SWITCH-HI PRESS Cat #: 86H31 Model/Part #: 86H3101	1	CUTOUT 410PSIG
	KIT-COMPR MTG Cat #: 87F70 Model/Part #: 87F7001PR	1	MOUNT PKG-COMP
	BRACKET Cat #: 23J48 Model/Part #: LB-57953C	2	COIL SUPT. BRKT.
	WRAPPER Cat #: 19H84 Model/Part #: LB-58915CA	1	COMPRESSOR
	SWITCH-LO PRESS Cat #: 87265 Model/Part #: P-8-10978	1	"IN 55PSIG,OUT 25PSIG"
	VALVE CORE Cat #: 66820 Model/Part #: P-8-1897	2	VALVE, CORE 8075910047
10	COIL-MANIFOLD Cat #: 24H46 Model/Part #: LB-80733ADA	1	W/MANIFOLD
12	COMPRESSOR Cat #: 98G20 Model/Part #: 98G2001	1	"2TON,208- 230/60/1,COPE"
13	VALVE-BRASS Cat #: 54G97 Model/Part #: 54G9701	1	"LIQUID LINE,3/8""
14	VALVE-SERVICE Cat #: 72H91 Model/Part #: 72H9101	1	"SUCTION LINE,3/4""
15	WELL-THERMOMETER Cat #: 26G11 Model/Part #: LB-54392CF	1	THERMOMETER WELL ASSY.
16	FAN Cat #: 36G80 Model/Part #: 36G8001	1	"1/2""BORE,24""DIA,3 BLADE"
17	MOTOR-FAN Cat #: 65G60 Model/Part #: 65G6001	1	"1/6HP,825RPM,208- 230/60/1"
18	MOUNT-MOTOR Cat #: 63K63 Model/Part #: 63K6301	1	COND. MOUNT- MOTOR BRKT
20	SHIELD-RAIN Cat #: 32621 Model/Part #: P-8-6142	1	SHIELD, MOTOR
21	MUFFLER Cat #: 51H13 Model/Part #: 51H1301	1	MUFFLER

Note:

There are no technical notes for this product.