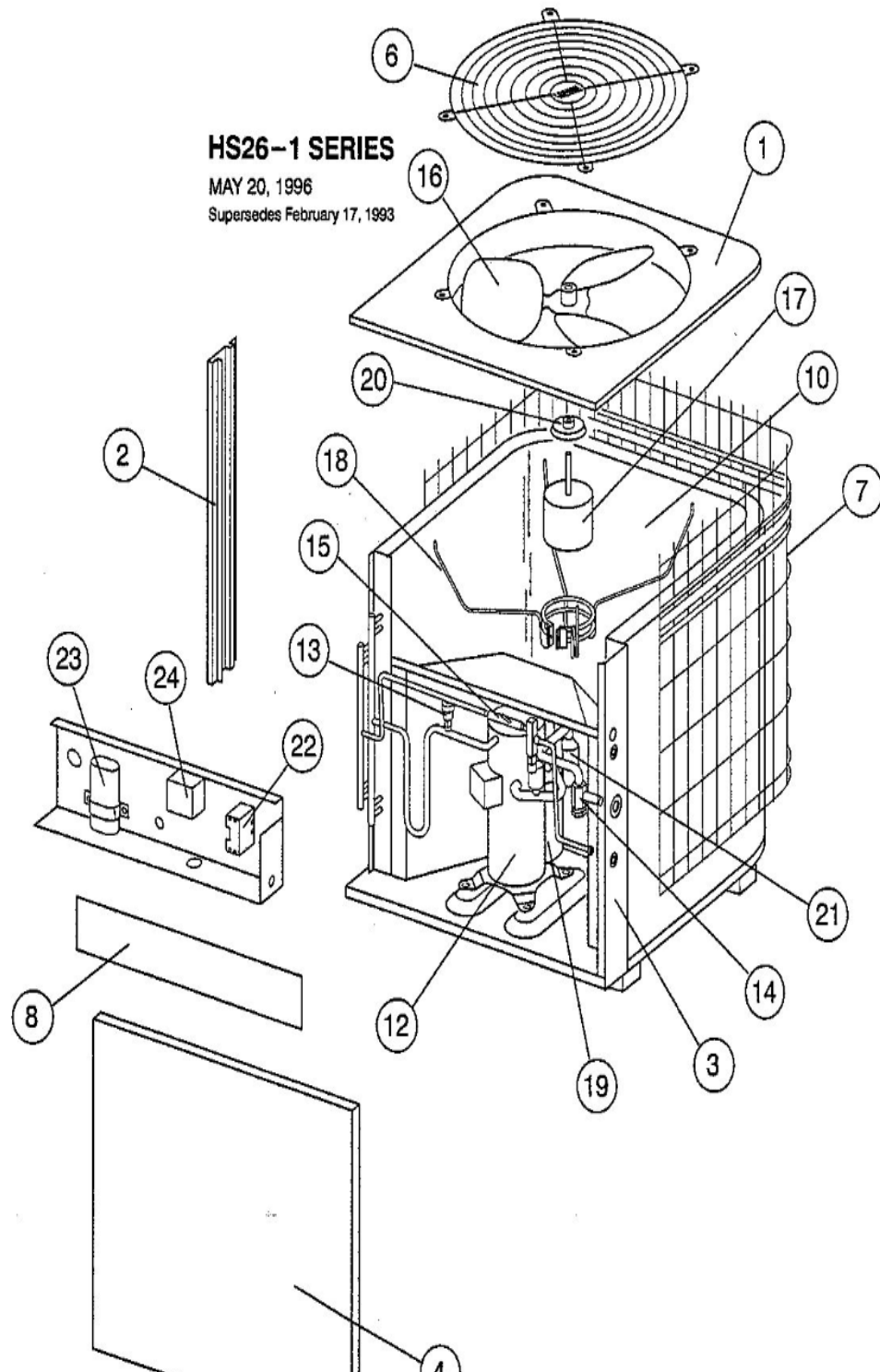


HS26--1 SERIES

MAY 20, 1996

Supersedes February 17, 1993



Revision Number - 1

*OPTIONAL PARTS-FIELD INSTALLED

| Callout | Name | Quantity | Description |
|---------|--|----------|-----------------------------|
| | CAPACITOR-START Cat #: 47A60 Model/Part #: 47A6001 | 1 | "88MFD,330VAC" |
| | VALVE-SADDLE Cat #: 65G91 Model/Part #: 65G9101 | 1 | VALVE |
| | TEE Cat #: 87071 Model/Part #: P-8-10569 | 1 | SCHRADER DEPRESSOR |
| | NUT Cat #: 59498 Model/Part #: P-8-1218 | 1 | FLARE |
| | RELAY-POTENTIAL Cat #: 66463 Model/Part #: P-8-1617 | 1 | SPNC |
| | CAP-SEAL Cat #: 58114 Model/Part #: P-8-3187 | 1 | CAP, BRASS |
| | FITTING Cat #: 59784 Model/Part #: P-8-4934 | 1 | STRAIN RELIEF |
| | SWITCH-LO PRESS Cat #: 68493 Model/Part #: P-8-6383 | 1 | "IN 285PSIG,OUT 140PSIG" |
| LB KIT | LOW AMBIENT KIT Cat #: 24H77 Model/Part #: LB-57113BC | 1 | INC NEXT 6 PARTS |
| ST KIT | START KIT Cat #: 81J68 Model/Part #: LB-31200BT | 1 | INC NEXT 2 PARTS |

CABINET PARTS

| Callout | Name | Quantity | Description |
|---------|--|----------|---------------|
| | LEG-BASE Cat #: 65G67 Model/Part #: 65G6701 | 2 | BASE |
| | NUT Cat #: 73K93 Model/Part #: 73K9301 | 4 | NUT-RETAINING |
| | BASE Cat #: 16J62 Model/Part #: LB-58810CC | 1 | CONDENSER |

| Callout | Name | Quantity | Description |
|---------|--|----------|------------------|
| 1 | PANEL-TOP Cat #: 55H50 Model/Part #: LB-62529A | 1 | TOP PANEL |
| 2 | MULLION Cat #: 98H02 Model/Part #: LB-78847 | 1 | LEFT |
| 3 | MULLION Cat #: 44J11 Model/Part #: LB-84308 | 1 | RIGHT |
| 4 | PANEL Cat #: 96H96 Model/Part #: LB-59022CK | 1 | ACCESS |
| 6 | GRILLE-DISCHARGE Cat #: 63K60 Model/Part #: 63K6001 | 1 | GRILLE-DISCHARGE |
| 7 | GUARD-COIL Cat #: 31K15 Model/Part #: 31K1501 | 1 | COIL GUARD |

CONTROL PANEL PARTS

| Callout | Name | Quantity | Description |
|---------|---|----------|------------------|
| 22 | CONTACTOR Cat #: 65C69 Model/Part #: 65C6901 | 1 | "SPST,24V" |
| 23 | CAPACITOR-FAN&RUN Cat #: 53H22 Model/Part #: 39H7901 | 1 | "25+5MFD,370VAC" |
| 24 | RELAY-DELAY Cat #: 16H80 Model/Part #: LB-50709BB | 1 | NO SAP KIT-CONT |

COOLING PARTS

| Callout | Name | Quantity | Description |
|---------|---|----------|-----------------------|
| | RELAY-OVERLOADCOMP-INTERNAL Cat #: Model/Part #: | 1 | |
| | DRIER Cat #: 58A63 Model/Part #: 58A6301 | 1 | SUCTION LINE |
| | DRIER Cat #: 69H06 Model/Part #: 69H0601 | 1 | LIQUID LINE |
| | FITTING PRESS TAP Cat #: 86G64 Model/Part #: 86G6401 | 2 | FITTING, PRESSURE TAP |

| Callout | Name | Quantity | Description |
|----------------|---|-----------------|----------------------------------|
| | SWITCH-HI PRESS Cat #: 86H31 Model/Part #: 86H3101 | 1 | CUTOUT 410PSIG |
| | KIT-COMPR MTG Cat #: 87F70 Model/Part #: 87F7001PR | 1 | MOUNT PKG-COMP |
| | BRACKET Cat #: 23J48 Model/Part #: LB-57953C | 2 | COIL SUPT. BRKT. |
| | WRAPPER Cat #: LB-58915C Model/Part #: LB-58915C | 1 | COMPRESSOR |
| | SWITCH-LO PRESS Cat #: 87265 Model/Part #: P-8-10978 | 1 | "IN 55PSIG,OUT 25PSIG" |
| | VALVE CORE Cat #: 66820 Model/Part #: P-8-1897 | 2 | VALVE, CORE 8075910047 |
| 10 | COIL-OUTDOOR Cat #: 34J80 Model/Part #: LB-80733ADG | 1 | W/MANIFOLD |
| 12 | COMPRESSOR Cat #: 42J29 Model/Part #: 42J2901 | 1 | "1-1/2TON,208- 230/60/1" |
| 13 | VALVE-BRASS Cat #: 54G97 Model/Part #: 54G9701 | 1 | "LIQUID LINE,3/8"" |
| 14 | VALVE-SERVICE Cat #: 72H90 Model/Part #: 72H9001 | 1 | "SUCTION LINE,5/8"" |
| 15 | WELL-THERMOMETER Cat #: 26G11 Model/Part #: LB-54392CF | 1 | THERMOMETER WELL ASSY. |
| 16 | FAN Cat #: 57C81 Model/Part #: 57C8101 | 1 | "1/2""BORE,24""DIA,3 BLADE" |
| 17 | MOTOR-FAN Cat #: 27H34 Model/Part #: 27H3401 | 1 | "1/10HP,825RPM,208- 230/60/1" |
| 18 | MOUNT-MOTOR Cat #: 63K63 Model/Part #: 63K6301 | 1 | COND. MOUNT- MOTOR BRKT |
| 19 | ACCUMULATOR Cat #: 99C56 Model/Part #: 99C5601 | 1 | ACCUMULATOR |
| 20 | SHIELD-RAIN Cat #: 32621 Model/Part #: P-8-6142 | 1 | SHIELD, MOTOR |

Note:

There are no technical notes for this product.