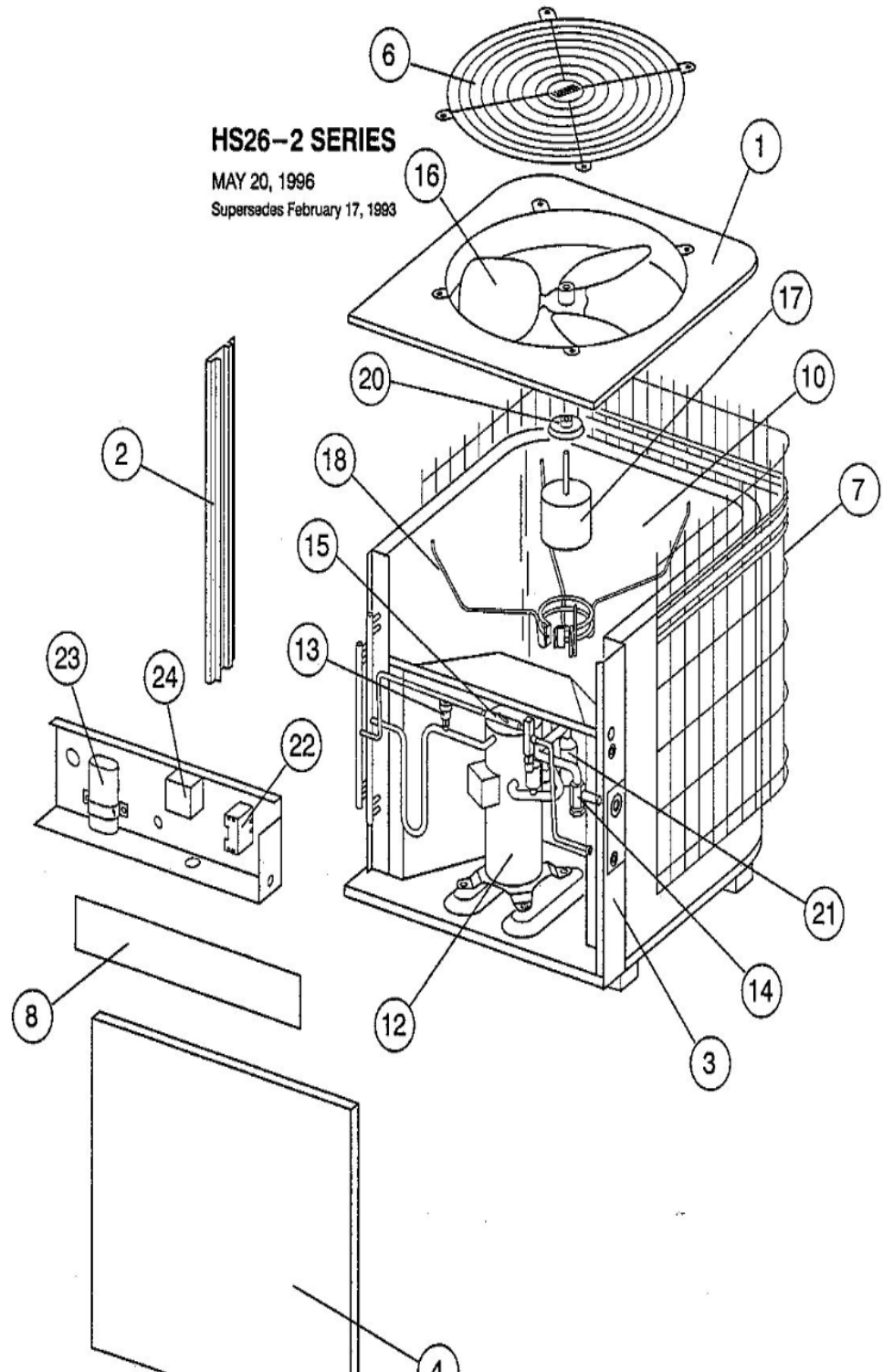


HS26-2 SERIES

MAY 20, 1996

Supersedes February 17, 1993



Revision Number - 3

*OPTIONAL PARTS-FIELD INSTALLED

Callout	Name	Quantity	Description
	CAPACITOR-START Cat #: 21J29 Model/Part #: 21J2901	1	"270-324MFD,330VAC"
	VALVE-SADDLE Cat #: 65G91 Model/Part #: 65G9101	1	VALVE
	TEE Cat #: 87071 Model/Part #: P-8-10569	1	SCHRADER DEPRESSOR
	NUT Cat #: 59498 Model/Part #: P-8-1218	1	FLARE
	CAP-SEAL Cat #: 58114 Model/Part #: P-8-3187	1	CAP, BRASS
	RELAY-POTENTIAL Cat #: 58327 Model/Part #: P-8-3577	1	SPNC
	FITTING Cat #: 59784 Model/Part #: P-8-4934	1	STRAIN RELIEF
	SWITCH-LO PRESS Cat #: 68493 Model/Part #: P-8-6383	1	"IN 285PSIG,OUT 140PSIG"
LB KIT	LOW AMBIENT KIT Cat #: 24H77 Model/Part #: LB-57113BC	1	INC NEXT 6 PARTS
ST KIT	START-KIT Cat #: 81J69 Model/Part #: LB-31200BW	1	INC NEXT 2 PARTS

CABINET PARTS

Callout	Name	Quantity	Description
	LEG Cat #: 31L44 Model/Part #: 31L4401	6	BASE(LATE PROD)
	NUT Cat #: 73K93 Model/Part #: 73K9301	4	NUT-RETAINING
	PLATE Cat #: 20L47 Model/Part #: LB-89348	1	PATCH PLATE

Callout	Name	Quantity	Description
1	PANEL-TOP Cat #: 55H50 Model/Part #: LB-62529A	1	TOP PANEL
2	MULLION Cat #: 12K52 Model/Part #: LB-74071	1	LEFT
3	MULLION Cat #: 83K87 Model/Part #: LB-89351	1	RIGHT
4	PANEL Cat #: 60H45 Model/Part #: LB-59022CG	1	ACCESS
6	GRILLE-DISCHARGE Cat #: 63K60 Model/Part #: 63K6001	1	GRILLE-DISCHARGE
7	GUARD-OUTDOOR COIL Cat #: 31K17 Model/Part #: 31K1701	1	OUTDOOR COIL
8	PANEL Cat #: LB-89354 Model/Part #: LB-89354	1	FILLER

CONTROL PANEL PARTS

Callout	Name	Quantity	Description
22	CONTACTOR-COMP Cat #: 96C86 Model/Part #: 96C8601	1	"SPST,24V(1PH)"
22	CONTACTOR Cat #: 38393 Model/Part #: P-8-7736	1	"3PDT,24V(3PH)"
23	CAPACITOR Cat #: 39H61 Model/Part #: 39H6101	1	"10MFD,370VAC(208/230V-3PH)"
23	CAPACITOR Cat #: 39H89 Model/Part #: 39H8901	1	"7.5MFD,370VAC(460V-3PH)"
23	CAPACITOR-FAN&RUN Cat #: 49K52 Model/Part #: 49K5201	1	"80+10MFD,370VAC(208/230-1PH)"
24	CONTROL-TIMED OFF Cat #: 47J35 Model/Part #: LB-61378A	1	"(208-230V, 1PH)"

COOLING PARTS

Callout	Name	Quantity	Description
	RELAY-OVERLOADCOMP-INTERNAL Cat #: Model/Part #:	1	
	DRIER Cat #: 12L71 Model/Part #: 12L7101	1	LIQUID LINE(REPLACEMENT)
	DRIER Cat #: 15B63 Model/Part #: 15B6301	1	SUCTION LINE(REPLACEMENT)
	MOUNT PKG-COMP Cat #: 54M63 Model/Part #: 15J1301PR	1	MOUNT PKG-COMP
	HARNESS-COMPRESSOR Cat #: 15M35 Model/Part #: 15M3501	1	MOLDED PLUG(1PH)
	HARNESS-COMPRESSOR Cat #: 15M36 Model/Part #: 15M3601	1	MOLDED PLUG(3PH)
	HEATER-CRANKCASE Cat #: 32M33 Model/Part #: 32M3301	1	"480V,40WATT"
	HEATER-CRANKCASE Cat #: 67K90 Model/Part #: 67K9001	1	"240V,70WATT"
	FITTING PRESS TAP Cat #: 86G64 Model/Part #: 86G6401	2	FITTING, PRESSURE TAP
	SWITCH-HI PRESS Cat #: 86H31 Model/Part #: 86H3101	1	CUTOUT 410PSIG
	SUPPORT-COIL Cat #: 34L31 Model/Part #: LB-89438	2	SUPPORT COIL
	WRAPPER-COMP Cat #: 69K11 Model/Part #: LB-89684D	1	COMPRESSOR
	SWITCH-LO PRESS Cat #: 87265 Model/Part #: P-8-10978	1	SWITCH-LOW PRESS - use 56L45
	VALVE CORE Cat #: 66820 Model/Part #: P-8-1897	2	VALVE, CORE 8075910047
10	COIL-OUTDOOR Cat #: 48M42 Model/Part #: LB-106175A	1	W/MANIFOLD
12	COMPRESSOR Cat #: 15M84 Model/Part #: 15M8401	1	"5TON,208- 230/60/1,COPE(AFTER 6/01 PROD)

Callout	Name	Quantity	Description
12	COMPRESSOR Cat #: 15M85 Model/Part #: 15M8501	1	"5TON,200-230/60/3,COPE(AFTER 6/01 PROD)
12	COMPRESSOR Cat #: 15M86 Model/Part #: 15M8601	1	"5TON,460/60/3,COPE"
13	VALVE-SERVICE Cat #: 68J10 Model/Part #: 68J1001	1	"LIQUID LINE,3/8""
14	VALVE-SERVICE Cat #: 31J50 Model/Part #: 31J5001	1	"SUCTION LINE,7/8""
15	WELL-THERMOMETER Cat #: 10J33 Model/Part #: LB-83856A	1	THERMOMETER WELL ASSY.
16	FAN Cat #: 16C01 Model/Part #: 16C0101	1	"1/2""BORE,24""DIA,4 BLADE"
17	MOTOR-FAN Cat #: 27H32 Model/Part #: 27H3201	1	"1/4HP,825RPM,208-230/60/1"
17	MOTOR-FAN Cat #: 72H36 Model/Part #: 72H3601	1	"1/4HP,825RPM,208-230/60/1(3 PH)"
17	MOTOR-FAN Cat #: 59M99 Model/Part #: LB-59973CN	1	"1/4HP,825RPM,460/60/1"
18	BRACKET Cat #: 63K65 Model/Part #: 63K6501	1	MOUNT-MOTOR
20	SHIELD-RAIN Cat #: 32621 Model/Part #: P-8-6142	1	SHIELD, MOTOR

Note:

There are no technical notes for this product.