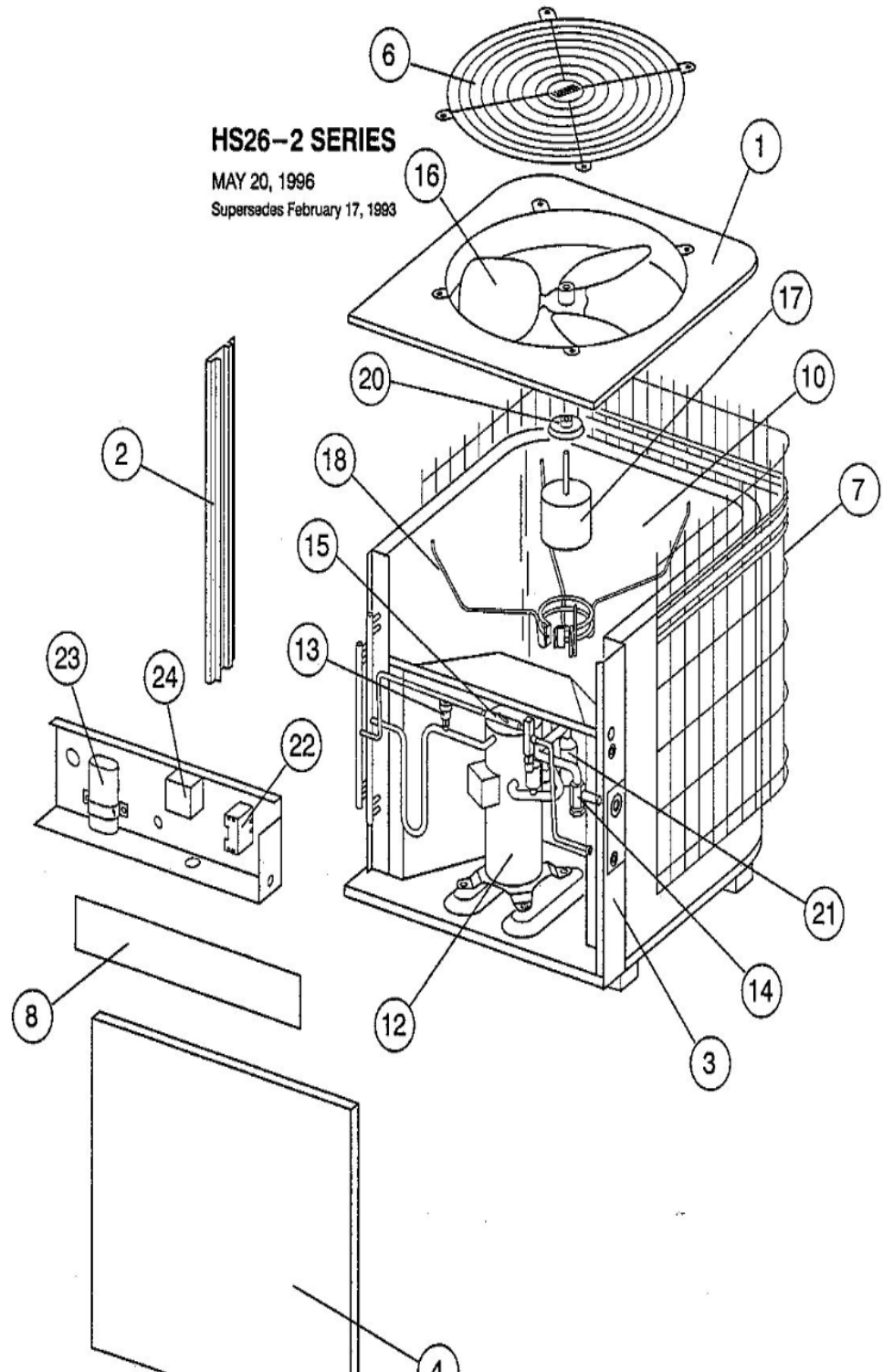


HS26-2 SERIES

MAY 20, 1996

Supersedes February 17, 1993



Revision Number - 3

*OPTIONAL PARTS-FIELD INSTALLED

Callout	Name	Quantity	Description
	CAPACITOR-START Cat #: 21J29 Model/Part #: 21J2901	1	"270-324,330VAC"
	VALVE-SADDLE Cat #: 65G91 Model/Part #: 65G9101	1	VALVE
	TEE Cat #: 87071 Model/Part #: P-8-10569	1	SCHRADER DEPRESSOR
	NUT Cat #: 59498 Model/Part #: P-8-1218	1	FLARE
	CAP-SEAL Cat #: 58114 Model/Part #: P-8-3187	1	CAP, BRASS
	RELAY-POTENTIAL Cat #: 58327 Model/Part #: P-8-3577	1	SPNC
	FITTING Cat #: 59784 Model/Part #: P-8-4934	1	STRAIN RELIEF
	SWITCH-LO PRESS Cat #: 68493 Model/Part #: P-8-6383	1	"IN 285PSIG,OUT 140PSIG"
LB KIT	LOW AMBIENT KIT Cat #: 24H77 Model/Part #: LB-57113BC	1	INC NEXT 6 PARTS
ST KIT	START-KIT Cat #: 81J69 Model/Part #: LB-31200BW	1	INC NEXT 2 PARTS

CABINET PARTS

Callout	Name	Quantity	Description
	LEG Cat #: 31L44 Model/Part #: 31L4401	6	BASE(LATE PROD)
	GRILLE-DISCHARGE Cat #: 63K60 Model/Part #: 63K6001	1	GRILLE-DISCHARGE
	LEG-BASE Cat #: 65G67 Model/Part #: 65G6701	2	BASE(EARLY PROD)

Callout	Name	Quantity	Description
	NUT Cat #: 73K93 Model/Part #: 73K9301	4	NUT-RETAINING
	PLATE Cat #: 20L47 Model/Part #: LB-89348	1	PATCH PLATE
1	PANEL-TOP Cat #: 55H50 Model/Part #: LB-62529A	1	TOP PANEL
2	MULLION Cat #: 79H83 Model/Part #: LB-62530C	1	LEFT
3	MULLION Cat #: 77K42 Model/Part #: LB-89447	1	RIGHT
4	PANEL Cat #: 75H09 Model/Part #: LB-59022CF	1	ACCESS
7	GUARD-OUTDOOR COIL Cat #: 31K16 Model/Part #: 31K1601	1	OUTDOOR
8	PANEL Cat #: LB-89353 Model/Part #: LB-89353	1	FILLER

CONTROL PANEL PARTS

Callout	Name	Quantity	Description
22	CONTACTOR Cat #: 68J37 Model/Part #: 68J3701	1	"DPDT,24V(1PH)"
22	CONTACTOR Cat #: 38393 Model/Part #: P-8-7736	1	"3PDT,24V(3PH)"
23	CAPACITOR-FAN&RUN Cat #: 24L87 Model/Part #: 24L8701	1	"60+10MFD,440VAC (1PH)"
23	CAPACITOR Cat #: 39H61 Model/Part #: 39H6101	1	"10MFD,370VAC(208/230V-3PH)"
23	CAPACITOR Cat #: 39H89 Model/Part #: 39H8901	1	"7.5MFD,370VAC(460V-3PH)"
24	CONTROL-TIMED OFF Cat #: 47J27 Model/Part #: LB-50709BK	1	"(460V, 3PH)"

COOLING PARTS

Callout	Name	Quantity	Description
	RELAY-OVERLOADCOMP-INTERNAL Cat #: Model/Part #:	1	
	DRIER Cat #: 12L71 Model/Part #: 12L7101	1	LIQUID LINE
	DRIER Cat #: 12L75 Model/Part #: 12L7501	1	SUCTION LINE
	MOUNT PKG-COMP Cat #: 54M63 Model/Part #: 15J1301PR	1	MOUNT PKG-COMP
	HARNESS-COMPRESSOR Cat #: 15M35 Model/Part #: 15M3501	1	MOLDED PLUG(1PH)
	HARNESS-COMPRESSOR Cat #: 15M36 Model/Part #: 15M3601	1	MOLDED PLUG(3PH)
	FITTING PRESS TAP Cat #: 86G64 Model/Part #: 86G6401	2	FITTING, PRESSURE TAP
	SWITCH-HI PRESS Cat #: 86H31 Model/Part #: 86H3101	1	CUTOUT 410PSIG
	SUPPORT-COIL Cat #: 33W63 Model/Part #: LB- 89437	2	SUPPORT COIL
	WRAPPER Cat #: 69K10 Model/Part #: LB- 89684C	1	COMPRESSOR
	SWITCH-LO PRESS Cat #: 87265 Model/Part #: P-8- 10978	1	"IN 55PSIG,OUT 25PSIG"
	VALVE CORE Cat #: 66820 Model/Part #: P-8-1897	2	VALVE, CORE 8075910047
10	COIL-OUTDOOR Cat #: 56K29 Model/Part #: LB- 89435A	1	W/MANIFOLD
12	COMPRESSOR	1	"4TON,208-230/60/1,COPE"

Callout	Name	Quantity	Description
	Cat #: 88K20 Model/Part #: 88K2001		
12	COMPRESSOR Cat #: 88K21 Model/Part #: 88K2101	1	"4TON,208-230/60/3,COPE"
12	COMPRESSOR Cat #: 88K22 Model/Part #: 88K2201	1	"4TON,460/60/3,COPE"
12A	COMPRESSOR Cat #: 15M78 Model/Part #: 15M7801	1	"4TON,208-230/60/1,COPE(AFTER 6/01 PROD)
12B	COMPRESSOR Cat #: 15M79 Model/Part #: 15M7901	1	"4TON,200-230/60/3,COPE(AFTER 6/01 PROD)
12C	COMPRESSOR Cat #: 15M80 Model/Part #: 15M8001	1	"4TON,460/60/3,COPE(AFTER 6/01 PROD)"
13	VALVE-SERVICE Cat #: 68J10 Model/Part #: 68J1001	1	"LIQUID LINE,3/8""
14	VALVE-SERVICE Cat #: 68J13 Model/Part #: 68J1301	1	"SUCTION LINE,7/8""
15	WELL-THERMOMETER Cat #: 10J33 Model/Part #: LB-83856A	1	THERMOMETER WELL ASSY.
16	FAN Cat #: 12F20 Model/Part #: 12F2001	1	"1/2""BORE,24""DIA,4 BLADE"
17	MOTOR-FAN Cat #: 51H75 Model/Part #: 51H7501	1	"1/4HP,825RPM,460/60/1"
17	MOTOR-FAN Cat #: 72H36 Model/Part #: 72H3601	1	"1/4HP,825RPM,208-230/60/1"
18	MOUNT-MOTOR Cat #: 63K62 Model/Part #: 63K6201	1	MOUNT-MOTOR BRKT ASSY
20	SHIELD-RAIN Cat #: 32621 Model/Part #: P-8-6142	1	SHIELD, MOTOR

Note:

There are no technical notes for this product.