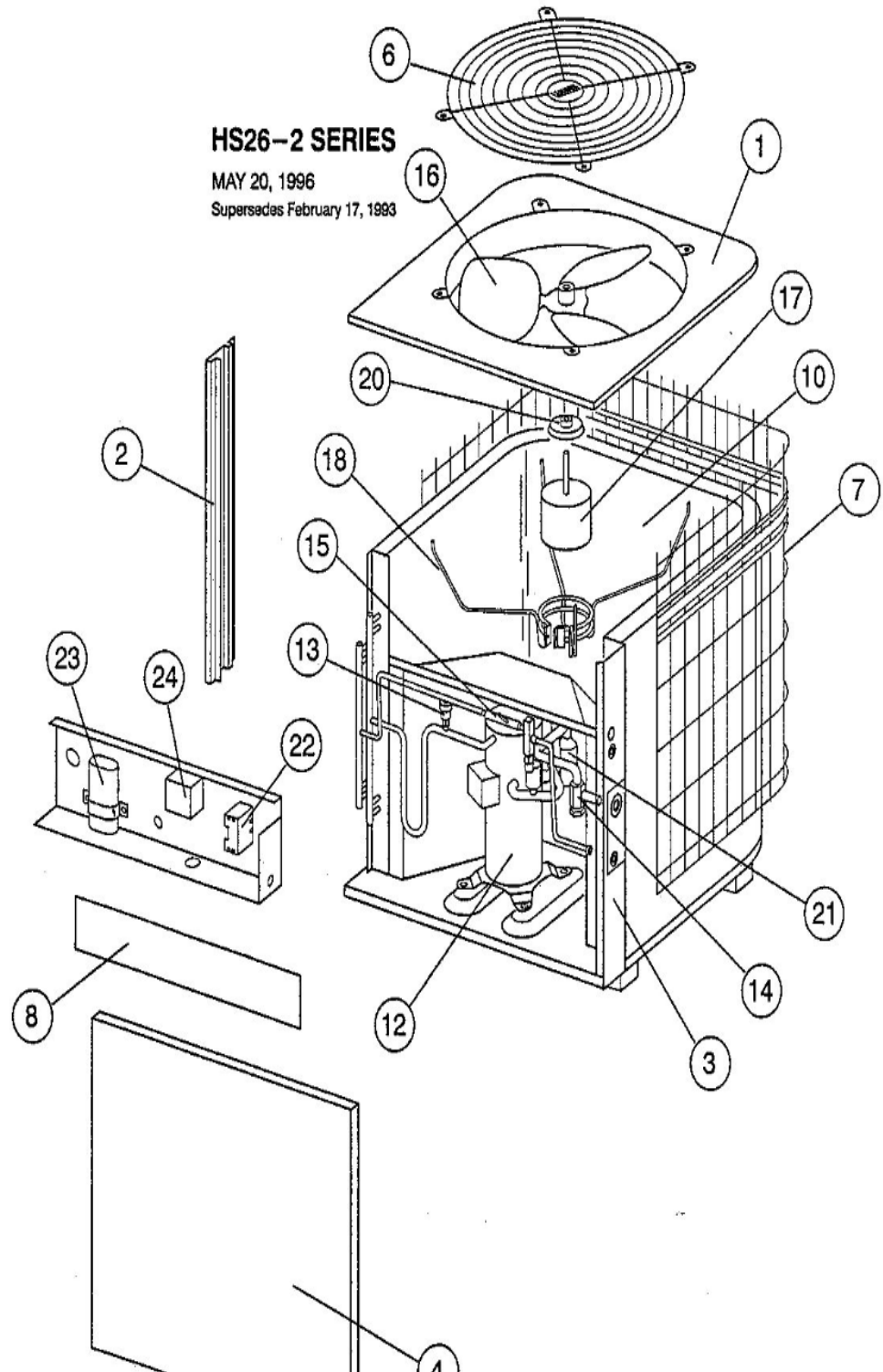


HS26-2 SERIES

MAY 20, 1996

Supersedes February 17, 1993



Revision Number - 2

*OPTIONAL PARTS-FIELD INSTALLED

Callout	Name	Quantity	Description
	CAPACITOR-START Cat #: 47A60 Model/Part #: 47A6001	1	"88MFD,330VAC"
	VALVE-SADDLE Cat #: 65G91 Model/Part #: 65G9101	1	VALVE
	TEE Cat #: 87071 Model/Part #: P-8-10569	1	SCHRADER DEPRESSOR
	NUT Cat #: 59498 Model/Part #: P-8-1218	1	FLARE
	CAP-SEAL Cat #: 58114 Model/Part #: P-8-3187	1	CAP, BRASS
	RELAY-POTENTIAL Cat #: 58327 Model/Part #: P-8-3577	1	SPNC
	FITTING Cat #: 59784 Model/Part #: P-8-4934	1	STRAIN RELIEF
	SWITCH-LO PRESS Cat #: 68493 Model/Part #: P-8-6383	1	"IN 285PSIG,OUT 140PSIG"
LB KIT	LOW AMBIENT KIT Cat #: 24H77 Model/Part #: LB-57113BC	1	INC NEXT 6 PARTS
ST KIT	START-KIT Cat #: 10J42 Model/Part #: LB-31200BM	1	INC NEXT 2 PARTS

CABINET PARTS

Callout	Name	Quantity	Description
	LEG Cat #: 31L44 Model/Part #: 31L4401	6	BASE(LATE PROD)
	LEG-BASE Cat #: 65G67 Model/Part #: 65G6701	2	BASE(EARLY PROD)
	NUT Cat #: 73K93 Model/Part #: 73K9301	4	NUT-RETAINING

Callout	Name	Quantity	Description
	PLATE Cat #: 20L47 Model/Part #: LB-89348	1	PATCH PLATE
1	PANEL-TOP Cat #: 55H50 Model/Part #: LB-62529A	1	TOP PANEL
2	MULLION Cat #: 98H02 Model/Part #: LB-78847	1	LEFT
3	MULLION Cat #: 93K20 Model/Part #: LB-89446	1	RIGHT
4	PANEL Cat #: 96H96 Model/Part #: LB-59022CK	1	ACCESS
6	GRILLE-DISCHARGE Cat #: 63K60 Model/Part #: 63K6001	1	GRILLE-DISCHARGE
7	GUARD-COIL Cat #: 31K15 Model/Part #: 31K1501	1	OUTDOOR COIL

CONTROL PANEL PARTS

Callout	Name	Quantity	Description
22	CONTACTOR Cat #: 68J36 Model/Part #: 68J3601	1	"DPDT,24V(1PH)"
22	CONTACTOR Cat #: 38393 Model/Part #: P-8-7736	1	"3PDT,24V(3PH)"
23	CAPACITOR Cat #: 39H89 Model/Part #: 39H8901	1	"7.5MFD,370VAC(460V,3PH)"
23	CAPACITOR Cat #: 22W78 Model/Part #: 59C9201	1	"5MFD,370VAC(208-230V,3PH)"
23	CAPACITOR-FAN&RUN Cat #: 67K69 Model/Part #: 67K6901	1	"55+5MFD,370VAC(1PH)"
24	CONTROL-TIMED OFF Cat #: 47J35 Model/Part #: LB-61378A	1	"(208-230V,3PH)"

COOLING PARTS

Callout	Name	Quantity	Description
	RELAY-OVERLOADCOMP-INTERNAL Cat #: Model/Part #:	1	
	DRIER Cat #: 12L71 Model/Part #: 12L7101	1	LIQUID LINE(REPLACEMENT)
	MOUNT PKG-COMP Cat #: 54M63 Model/Part #: 15J1301PR	1	MOUNT PKG-COMP
	HARNESS-COMPRESSOR Cat #: 15M35 Model/Part #: 15M3501	1	MOLDED PLUG(1PH)
	HARNESS-COMPRESSOR Cat #: 15M36 Model/Part #: 15M3601	1	MOLDED PLUG(3PH)
	HEATER-CRANKCASE Cat #: 32M33 Model/Part #: 32M3301	1	"480V, 40 WATT(460V)"
	SWITCH-LO PRESS Cat #: 56L45 Model/Part #: 56L4501	1	"IN 55PSIG,OUT 25PSIG"
	DRIER Cat #: 58A64 Model/Part #: 58A6401	1	SUCTION LINE(REPLACEMENT)
	FITTING PRESS TAP Cat #: 86G64 Model/Part #: 86G6401	2	FITTING, PRESSURE TAP
	SWITCH-HI PRESS Cat #: 86H31 Model/Part #: 86H3101	1	CUTOUT 410PSIG
	SUPPORT-COIL Cat #: 82M41 Model/Part #: LB-89443	2	SUPPORT COIL
	WRAPPER Cat #: 69K09 Model/Part #: LB-89684B	1	COMPRESSOR
	VALVE CORE Cat #: 66820 Model/Part #: P-8-1897	2	VALVE, CORE 8075910047
10	COIL-OUTDOOR Cat #: 57K82 Model/Part #: LB-89435G	1	W/MANIFOLD
12	COMPRESSOR Cat #: 15M72 Model/Part #: 15M7201	1	"3-1/2TON,208- 230/60/1,COPE(AFTER 6/01 P
12	COMPRESSOR Cat #: 15M73 Model/Part #: 15M7301	1	"3-1/2TON,200- 230/60/3,COPE(AFTER 6/01 P

Callout	Name	Quantity	Description
12	COMPRESSOR Cat #: 15M74 Model/Part #: 15M7401	1	"3-1/2TON,460/60/3,COPE"
12	COMPRESSOR Cat #: 68J75 Model/Part #: 68J7501	1	"3-1/2TON,208-230/60/1,COPE"
12	COMPRESSOR Cat #: 79J91 Model/Part #: 79J9101	1	"3-1/2TON,200-230/60/3,COPE"
13	VALVE-SERVICE Cat #: 68J10 Model/Part #: 68J1001	1	"LIQUID LINE,3/8"""
14	VALVE-SERVICE Cat #: 68J13 Model/Part #: 68J1301	1	"SUCTION LINE,7/8"""
15	WELL-THERMOMETER Cat #: 10J33 Model/Part #: LB-83856A	1	THERMOMETER WELL ASSY.
16	FAN Cat #: 36G80 Model/Part #: 36G8001	1	"1/2""BORE,24""DIA,3 BLADE"
17	MOTOR-FAN Cat #: 65G60 Model/Part #: 65G6001	1	"1/6HP,825RPM,208-230/60/1"
17	MOTOR-FAN Cat #: 67C02 Model/Part #: 67C0201	1	"1/4HP,825RPM,460/60/1"
18	MOUNT-MOTOR Cat #: 63K63 Model/Part #: 63K6301	1	COND. MOUNT-MOTOR BRKT
20	SHIELD-RAIN Cat #: 32621 Model/Part #: P-8-6142	1	SHIELD, MOTOR

Note:

There are no technical notes for this product.