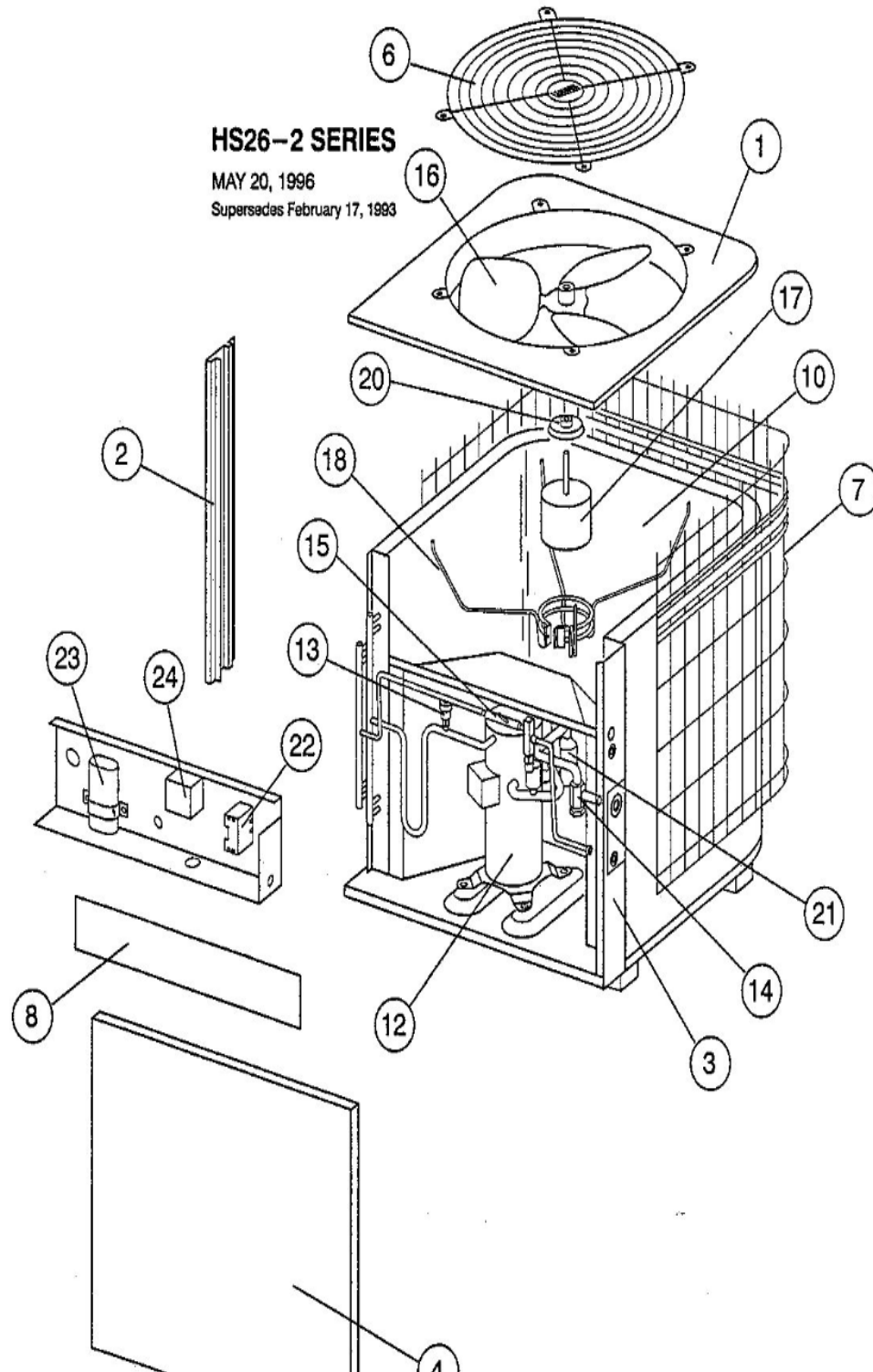


**HS26-2 SERIES**

MAY 20, 1996

Supersedes February 17, 1993



Revision Number - 3

## \*OPTIONAL PARTS-FIELD INSTALLED

Callout	Name	Quantity	Description
	CAPACITOR-START Cat #: 47A60 Model/Part #: 47A6001	1	"88MFD,330VAC"
	VALVE-SADDLE Cat #: 65G91 Model/Part #: 65G9101	1	VALVE
	TEE Cat #: 87071 Model/Part #: P-8-10569	1	SCHRADER DEPRESSOR
	NUT Cat #: 59498 Model/Part #: P-8-1218	1	FLARE
	CAP-SEAL Cat #: 58114 Model/Part #: P-8-3187	1	CAP, BRASS
	RELAY-POTENTIAL Cat #: 58327 Model/Part #: P-8-3577	1	SPNC
	FITTING Cat #: 59784 Model/Part #: P-8-4934	1	STRAIN RELIEF
	SWITCH-LO PRESS Cat #: 68493 Model/Part #: P-8-6383	1	"IN 285PSIG,OUT 140PSIG"
LB KIT	LOW AMBIENT KIT Cat #: 24H77 Model/Part #: LB-57113BC	1	INC NEXT 6 PARTS
ST KIT	START-KIT Cat #: 10J42 Model/Part #: LB-31200BM	1	INC NEXT 2 PARTS

## CABINET PARTS

Callout	Name	Quantity	Description
	LEG Cat #: 31L44 Model/Part #: 31L4401	6	BASE(LATE PROD)
	NUT Cat #: 73K93 Model/Part #: 73K9301	4	NUT-RETAINING
	PLATE Cat #: 20L47 Model/Part #: LB-89348	1	PATCH PLATE

Callout	Name	Quantity	Description
1	PANEL-TOP Cat #: 55H50 Model/Part #: LB-62529A	1	TOP PANEL
2	MULLION Cat #: 98H02 Model/Part #: LB-78847	1	LEFT
3	MULLION Cat #: 93K20 Model/Part #: LB-89446	1	RIGHT
4	PANEL Cat #: 96H96 Model/Part #: LB-59022CK	1	ACCESS
6	GRILLE-DISCHARGE Cat #: 63K60 Model/Part #: 63K6001	1	GRILLE-DISCHARGE
7	GUARD-COIL Cat #: 31K15 Model/Part #: 31K1501	1	OUTDOOR COIL

## CONTROL PANEL PARTS

Callout	Name	Quantity	Description
22	CONTACTOR Cat #: 65C69 Model/Part #: 65C6901	1	"SPST,24V(1PH)"
22	CONTACTOR Cat #: 38393 Model/Part #: P-8-7736	1	"3PDT,24V(3PH)"
23	CAPACITOR-FAN&RUN Cat #: 32M96 Model/Part #: 32M9601	1	"50+5MFD,370VAC(1PH)(ROUND)"
23	CAPACITOR Cat #: 39H89 Model/Part #: 39H8901	1	"7.5MFD,370VAC(460V,3PH)"
23	CAPACITOR Cat #: 22W78 Model/Part #: 59C9201	1	"5MFD,370VAC(208-230V,3PH)"
23	CAPACITOR-FAN MTR Cat #: 72H76 Model/Part #: 72H7601	1	"50+5MFD,370VAC(1PH)(OVAL)"
24	CONTROL-TIMED OFF	1	"(208-230V,1PH)"

Callout	Name	Quantity	Description
	Cat #: 47J35 Model/Part #: LB-61378A		

## COOLING PARTS

Callout	Name	Quantity	Description
	RELAY-OVERLOADCOMP-INTERNAL Cat #: Model/Part #:	1	
	DRIER Cat #: 12L71 Model/Part #: 12L7101	1	LIQUID LINE(REPLACEMENT)
	MOUNT PKG-COMP Cat #: 54M63 Model/Part #: 15J1301PR	1	MOUNT PKG-COMP
	HARNESS-COMPRESSOR Cat #: 15M35 Model/Part #: 15M3501	1	MOLDED PLUG (1PH)
	HARNESS-COMPRESSOR Cat #: 15M36 Model/Part #: 15M3601	1	MOLDED PLUG(3PH)
	HEATER-CRANKCASE Cat #: 32M33 Model/Part #: 32M3301	1	"480V,40WATT(460V)"
	SWITCH-LO PRESS Cat #: 56L45 Model/Part #: 56L4501	1	"IN 55PSIG,OUT 25PSIG"
	DRIER Cat #: 58A64 Model/Part #: 58A6401	1	SUCTION LINE(REPLACEMENT)
	SUPPORT-COIL Cat #: 78M10 Model/Part #: 78M1001	1	(AFTER 6/04 PROD)
	FITTING PRESS TAP Cat #: 86G64 Model/Part #: 86G6401	2	FITTING, PRESSURE TAP
	SWITCH-HI PRESS Cat #: 86H31 Model/Part #: 86H3101	1	CUTOUT 410PSIG
	SUPPORT-COIL Cat #: 82M41 Model/Part #: LB-89443	2	SUPPORT COIL
	WRAPPER Cat #: 69K09 Model/Part #: LB-	1	COMP WRAPPER SUB- ASSEMBLY

Callout	Name	Quantity	Description
	89684B		
	VALVE CORE Cat #: 66820 Model/Part #: P-8-1897	2	VALVE, CORE 8075910047
10	COIL-OUTDOOR Cat #: 50M23 Model/Part #: LB-106175B	1	W/MANIFOLD (AFTER 6/04 PROD)
10	COIL-OUTDOOR Cat #: 57K81 Model/Part #: LB-89435F	1	W/MANIFOLD
12	COMPRESSOR Cat #: 97M94 Model/Part #: 15M6601	1	"3TON,208-230/60/1,COPE(AFTER 6/01 PROD)
12	COMPRESSOR Cat #: 15M67 Model/Part #: 15M6701	1	"3TON,200-230/60/3,COPE"
12	COMPRESSOR Cat #: 15M68 Model/Part #: 15M6801	1	"3TON,460/60/3,COPE(AFTER 6/01 PROD)"
13	VALVE-SERVICE Cat #: 68J10 Model/Part #: 68J1001	1	"LIQUID LINE,3/8""
14	VALVE-SERVICE Cat #: 68J12 Model/Part #: 68J1201	1	"SUCTION LINE,3/4""
16	FAN Cat #: 36G80 Model/Part #: 36G8001	1	"1/2""BORE,24""DIA,3 BLADE"
17	MOTOR-FAN Cat #: 65G60 Model/Part #: 65G6001	1	"1/6HP,825RPM,208-230/60/1"
17	MOTOR-FAN Cat #: 59M99 Model/Part #: LB-59973CN	1	"1/4HP,825RPM,460/60/1"
18	MOUNT-MOTOR Cat #: 63K63 Model/Part #: 63K6301	1	COND. MOUNT-MOTOR BRKT
20	SHIELD-RAIN Cat #: 32621 Model/Part #: P-8-6142	1	SHIELD, MOTOR

**Note:**

There are no technical notes for this product.