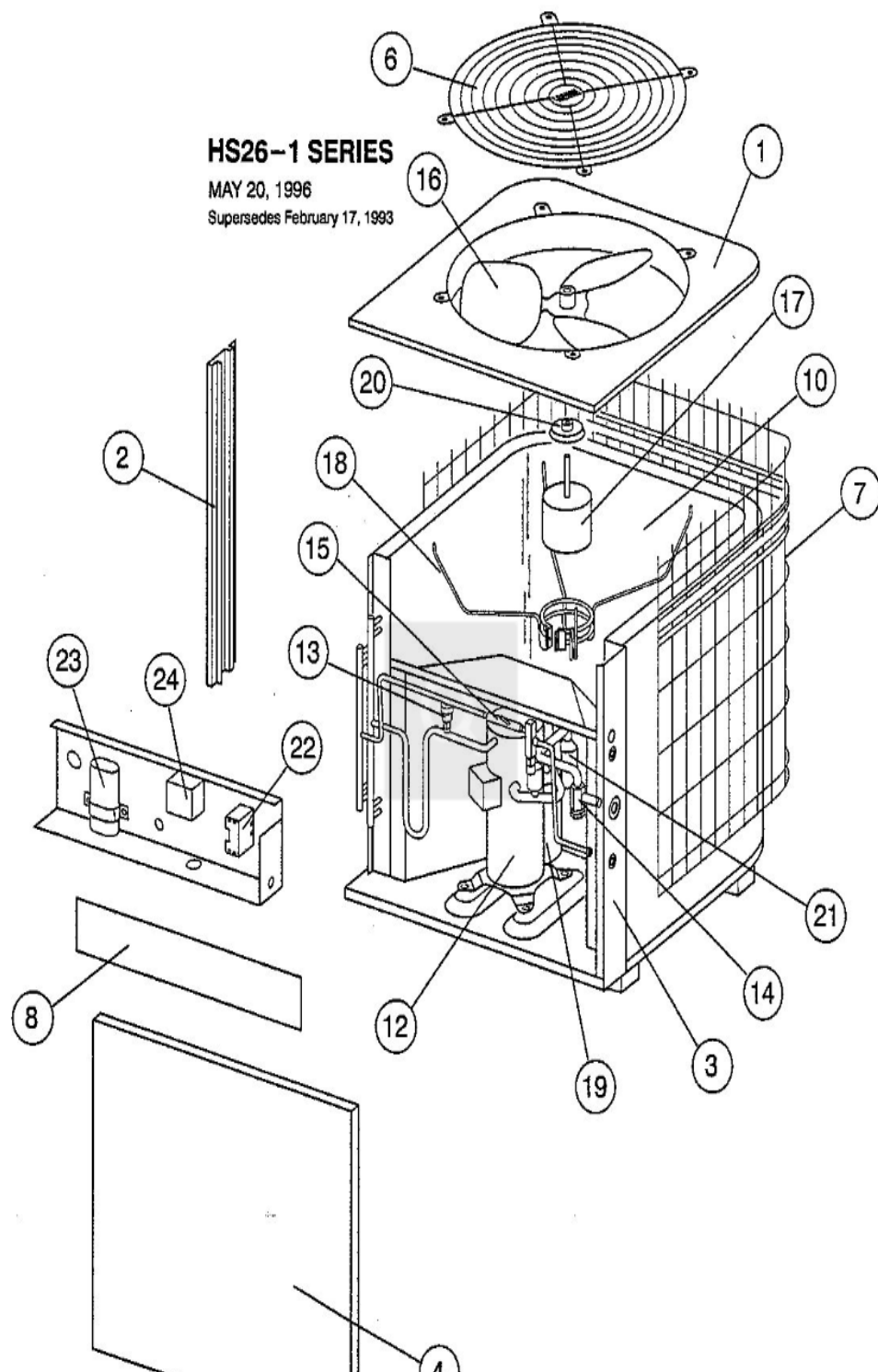


HS26--1 SERIES

MAY 20, 1996

Supersedes February 17, 1993



Revision Number - 6

*OPTIONAL PARTS-FIELD INSTALLED

| Callout | Name | Quantity | Description |
|---------|--|----------|-----------------------------|
| | CAPACITOR-START Cat #: 47A60 Model/Part #: 47A6001 | 1 | "88MFD,330VAC" |
| | VALVE-SADDLE Cat #: 65G91 Model/Part #: 65G9101 | 1 | VALVE |
| | TEE Cat #: 87071 Model/Part #: P-8-10569 | 1 | SCHRADER DEPRESSOR |
| | NUT Cat #: 59498 Model/Part #: P-8-1218 | 1 | FLARE |
| | CAP-SEAL Cat #: 58114 Model/Part #: P-8-3187 | 1 | CAP, BRASS |
| | RELAY-POTENTIAL Cat #: 58327 Model/Part #: P-8-3577 | 1 | SPNC |
| | FITTING Cat #: 59784 Model/Part #: P-8-4934 | 1 | STRAIN RELIEF |
| | SWITCH-LO PRESS Cat #: 68493 Model/Part #: P-8-6383 | 1 | "IN 285PSIG,OUT 140PSIG" |
| LB KIT | LOW AMBIENT KIT Cat #: 24H77 Model/Part #: LB-57113BC | 1 | INC NEXT 6 PARTS |
| ST KIT | START-KIT Cat #: 10J42 Model/Part #: LB-31200BM | 1 | INC NEXT 2 PARTS |

CABINET PARTS

| Callout | Name | Quantity | Description |
|---------|---|----------|---------------|
| | LEG Cat #: 31L44 Model/Part #: 31L4401 | 6 | BASE |
| | NUT Cat #: 73K93 Model/Part #: 73K9301 | 4 | NUT-RETAINING |
| 1 | PANEL-TOP Cat #: 93M70 Model/Part #: LB-78841G | 1 | TOP PANEL |

| Callout | Name | Quantity | Description |
|---------|--|----------|------------------|
| 2 | MULLION Cat #: 93M66 Model/Part #: LB-78844G | 1 | LEFT |
| 3 | MULLION Cat #: 10W38 Model/Part #: LB-89445G | 1 | RIGHT |
| 4 | PANEL Cat #: 92M50 Model/Part #: LB-59022CAH | 1 | ACCESS |
| 6 | GRILLE-DISCHARGE Cat #: 63K59 Model/Part #: 63K5901 | 1 | GRILLE-DISCHARGE |
| 7 | GUARD Cat #: 94M13 Model/Part #: LB-74737A | 1 | OUTDOOR COIL |

CONTROL PANEL PARTS

| Callout | Name | Quantity | Description |
|---------|---|----------|------------------|
| 22 | CONTACTOR Cat #: 65C69 Model/Part #: 65C6901 | 1 | "SPST,24V" |
| 23 | CAPACITOR-FAN&RUN Cat #: 31J94 Model/Part #: 31J9401 | 1 | "30+4MFD,370VAC" |

COOLING PARTS

| Callout | Name | Quantity | Description |
|---------|--|----------|------------------------------|
| | RELAY-OVERLOADCOMP-INTERNAL Cat #: Model/Part #: | 1 | |
| | DRIER Cat #: 12L71 Model/Part #: 12L7101 | 1 | LIQUID LINE(REPLACEMENT) |
| | MOUNT PKG-COMP Cat #: 54M63 Model/Part #: 15J1301PR | 1 | MOUNT PKG-COMP |
| | HARNESS-COMPRESSOR Cat #: 15M35 Model/Part #: 15M3501 | 1 | MOLDED PLUG |
| | SWITCH-LO PRESS Cat #: 56L45 Model/Part #: 56L4501 | 1 | "IN 55PSIG,OUT 25PSIG" |
| | DRIER Cat #: 58A64 Model/Part #: 58A6401 | 1 | SUCTION LINE(REPLACEMENT) |

| Callout | Name | Quantity | Description |
|----------------|---|-----------------|------------------------------|
| | FITTING PRESS TAP Cat #: 86G64 Model/Part #: 86G6401 | 2 | FITTING, PRESSURE TAP |
| | SWITCH-HI PRESS Cat #: 86H31 Model/Part #: 86H3101 | 1 | CUTOUT 410PSIG |
| | SUPPORT-COIL Cat #: LB-89441 Model/Part #: LB-89441 | 2 | SUPPORT COIL |
| | WRAPPER Cat #: 23W24 Model/Part #: LB-89684A | 1 | COMPRESSOR |
| | VALVE CORE Cat #: 66820 Model/Part #: P-8-1897 | 2 | VALVE, CORE 8075910047 |
| 10 | COIL-OUTDOOR Cat #: 57K78 Model/Part #: LB-89435C | 1 | W/MANIFOLD |
| 12 | COMPRESSOR Cat #: 15M60 Model/Part #: 15M6001 | 1 | "1-1/2TON,208-230/60/1,COPE" |
| 13 | VALVE-SERVICE Cat #: 68J10 Model/Part #: 68J1001 | 1 | "LIQUID LINE,3/8"" |
| 14 | VALVE-SERVICE Cat #: 67K18 Model/Part #: 67K1801 | 1 | "SUCTION LINE,5/8"" |
| 16 | FAN Cat #: 36A74 Model/Part #: P-8-11098 | 1 | "1/2""BORE,20""DIA,4 BLADE" |
| 17 | MOTOR-FAN Cat #: 27H34 Model/Part #: 27H3401 | 1 | "1/10HP,825RPM,208-230/60/1" |
| 18 | BRACKET-MTR MTG Cat #: 63K61 Model/Part #: 63K6101 | 1 | MOUNT - MOTOR |
| 20 | SHIELD-RAIN Cat #: 32621 Model/Part #: P-8-6142 | 1 | SHIELD, MOTOR |

Note:

There are no technical notes for this product.