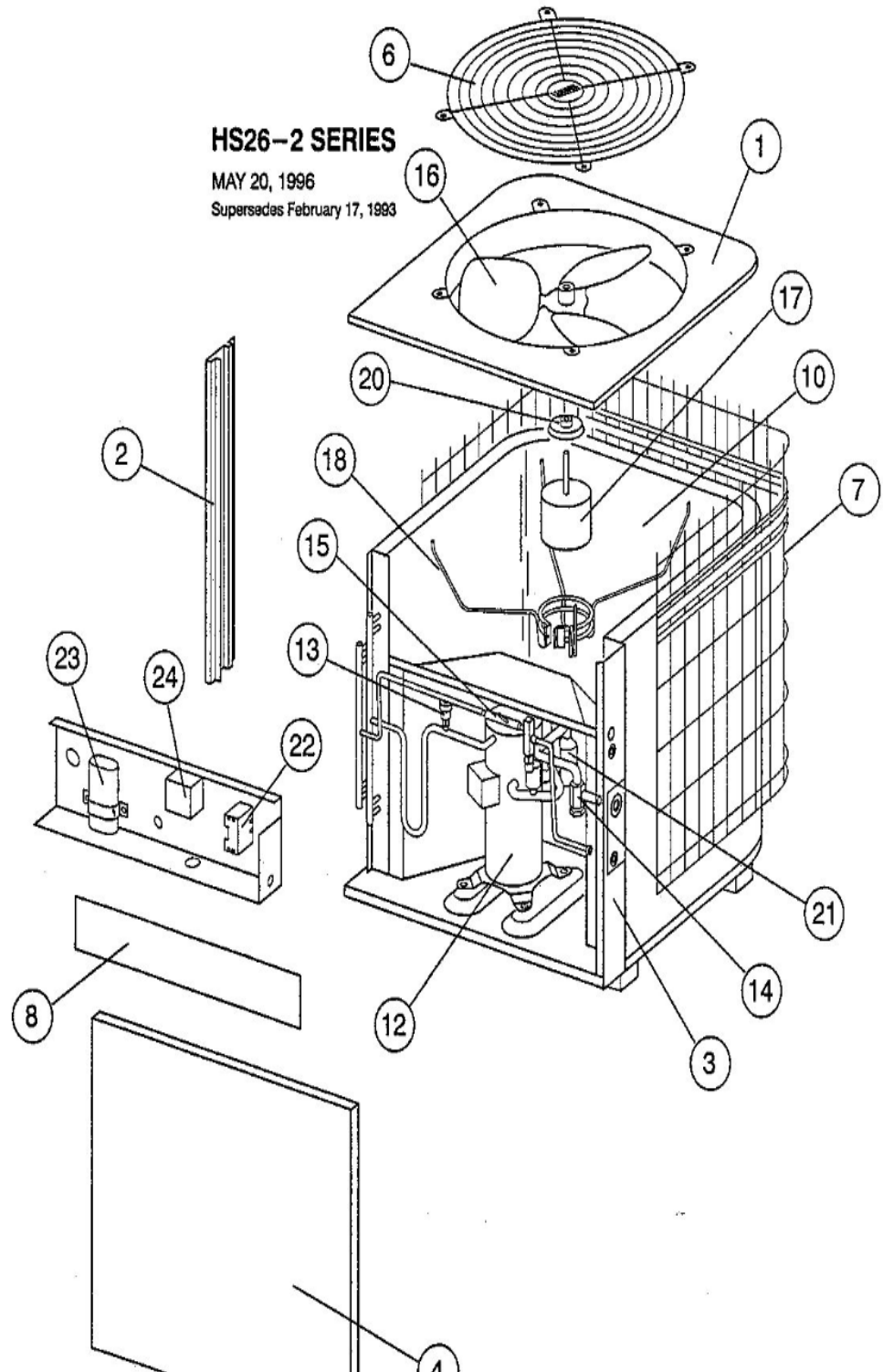


HS26-2 SERIES

MAY 20, 1996

Supersedes February 17, 1993



Revision Number - 4

*OPTIONAL PARTS-FIELD INSTALLED

Callout	Name	Quantity	Description
	CAPACITOR-START Cat #: 47A60 Model/Part #: 47A6001	1	"88MFD,330VAC"
	VALVE-SADDLE Cat #: 65G91 Model/Part #: 65G9101	1	VALVE
	TEE Cat #: 87071 Model/Part #: P-8-10569	1	SCHRADER DEPRESSOR
	NUT Cat #: 59498 Model/Part #: P-8-1218	1	FLARE
	CAP-SEAL Cat #: 58114 Model/Part #: P-8-3187	1	CAP, BRASS
	RELAY-POTENTIAL Cat #: 58327 Model/Part #: P-8-3577	1	SPNC
	FITTING Cat #: 59784 Model/Part #: P-8-4934	1	STRAIN RELIEF
	SWITCH-LO PRESS Cat #: 68493 Model/Part #: P-8-6383	1	"IN 285PSIG,OUT 140PSIG"
LB KIT	LOW AMBIENT KIT Cat #: 24H77 Model/Part #: LB-57113BC	1	INC NEXT 6 PARTS
ST KIT	START-KIT Cat #: 10J42 Model/Part #: LB-31200BM	1	INC NEXT 2 PARTS

CABINET PARTS

Callout	Name	Quantity	Description
	LEG Cat #: 31L44 Model/Part #: 31L4401	6	BASE(LATE PROD)
	NUT Cat #: 73K93 Model/Part #: 73K9301	4	NUT-RETAINING
	LEG Cat #: 81G40 Model/Part #: 81G4001	2	BASE(EARLY PROD)

Callout	Name	Quantity	Description
	BASE Cat #: 16J60 Model/Part #: LB-58810CD	1	CONDENSER(EARLY PROD)
	PLATE Cat #: 20L47 Model/Part #: LB-89348	1	PATCH PLATE
	BASE Cat #: 40L62 Model/Part #: LB-94669C	1	CONDENSER(LATE PROD INCL LEGS)
1	PANEL-TOP Cat #: 10J32 Model/Part #: LB-78841	1	TOP PANEL
2	POST-CORNER Cat #: 96H99 Model/Part #: LB-78844	1	LEFT
3	MULLION Cat #: 84K00 Model/Part #: LB-89445	1	RIGHT
4	PANEL Cat #: 96H95 Model/Part #: LB-59022CJ	1	ACCESS
6	GRILLE-DISCHARGE Cat #: 63K59 Model/Part #: 63K5901	1	GRILLE-DISCHARGE
7	GUARD Cat #: 31K14 Model/Part #: 31K1401	1	OUTDOOR COIL

CONTROL PANEL PARTS

Callout	Name	Quantity	Description
22	CONTACTOR Cat #: 65C69 Model/Part #: 65C6901	1	"SPST,24V"
23	CAPACITOR-FAN&RUN Cat #: 31J94 Model/Part #: 31J9401	1	"30+4MFD,370VAC"
24	CONTROL-TIMED OFF Cat #: 47J35 Model/Part #: LB-61378A	1	TIMED OFF CONTROL

COOLING PARTS

Callout	Name	Quantity	Description
	RELAY-OVERLOADCOMP-INTERNAL Cat #: Model/Part #:	1	

Callout	Name	Quantity	Description
	DRIER Cat #: 12L71 Model/Part #: 12L7101	1	LIQUID LINE(REPLACEMENT)
	MOUNT PKG-COMP Cat #: 54M63 Model/Part #: 15J1301PR	1	MOUNT PKG-COMP
	HARNESS-COMPRESSOR Cat #: 15M35 Model/Part #: 15M3501	1	MOLDED PLUG
	DRIER Cat #: 58A64 Model/Part #: 58A6401	1	SUCTION LINE(REPLACEMENT)
	FITTING PRESS TAP Cat #: 86G64 Model/Part #: 86G6401	2	FITTING, PRESSURE TAP
	SWITCH-HI PRESS Cat #: 86H31 Model/Part #: 86H3101	1	CUTOUT 410PSIG
	SUPPORT-COIL Cat #: LB-89441 Model/Part #: LB-89441	2	SUPPORT COIL
	WRAPPER Cat #: 23W24 Model/Part #: LB-89684A	1	COMPRESSOR
	SWITCH-LO PRESS Cat #: 87265 Model/Part #: P-8-10978	1	"IN 55PSIG,OUT 25PSIG"
	VALVE CORE Cat #: 66820 Model/Part #: P-8-1897	2	VALVE, CORE 8075910047
10	COIL-OUTDOOR Cat #: 57K78 Model/Part #: LB-89435C	1	W/MANIFOLD
12	COMPRESSOR Cat #: 15M60 Model/Part #: 15M6001	1	"1-1/2TON,208- 230/60/1,COPE(AFTER 6/01 P
13	VALVE-SERVICE Cat #: 68J10 Model/Part #: 68J1001	1	"LIQUID LINE,3/8""
14	VALVE-SERVICE Cat #: 67K18 Model/Part #: 67K1801	1	"SUCTION LINE,5/8""
15	WELL-THERMOMETER Cat #: 10J33 Model/Part #: LB-83856A	1	THERMOMETER WELL ASSY.
16	FAN Cat #: 36A74 Model/Part #: P-8-11098	1	"1/2""BORE,20""DIA,4 BLADE"

Callout	Name	Quantity	Description
17	MOTOR-FAN Cat #: 27H34 Model/Part #: 27H3401	1	"1/10HP,825RPM,208-230/60/1"
18	BRACKET-MTR MTG Cat #: 63K61 Model/Part #: 63K6101	1	MOUNT - MOTOR
20	SHIELD-RAIN Cat #: 32621 Model/Part #: P-8-6142	1	SHIELD, MOTOR

Note:

There are no technical notes for this product.