

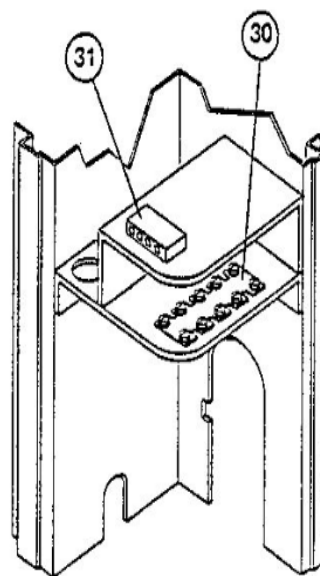
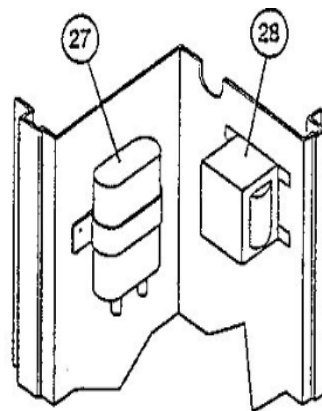
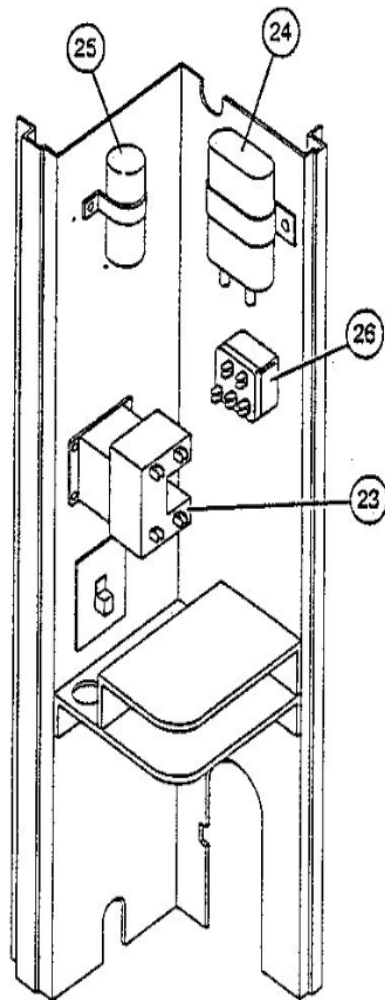
**HS23 SERIES**

NOVEMBER 20, 1992



# HS23 SERIES CONTROL PANEL

NOVEMBER 20, 1992



INTERNATIONAL ONLY



Revision Number - 1

## \*OPTIONAL PARTS-FIELD INSTALLED

| Callout | Name   | Quantity | Description                   |
|---------|--|----------|-------------------------------|
|         | SWITCH - PRESSURE<br>Cat #: 50F84 Model/Part #: 50F8401    | 1        | "IN 25+3PSIG,OUT<br>15+5PSIG" |
|         | VALVE-SADDLE<br>Cat #: 65G91 Model/Part #: 65G9101         | 1        | "3/8""                        |
|         | VALVE-SADDLE<br>Cat #: 78H71 Model/Part #: 78H7101         | 1        | "1/2""                        |
| KIT 1   | LOSS OF CHARGE KIT<br>Cat #: 90H66 Model/Part #: LB-64647A | 1        | INC NEXT 3 PARTS              |

## CABINET PARTS

| Callout | Name   | Quantity | Description          |
|---------|--|----------|----------------------|
|         | BASE<br>Cat #: 16J46 Model/Part #: LB-83173C             | 1        | CONDENSER            |
| 1       | PANEL-TOP<br>Cat #: 89H84 Model/Part #: LB-82900         | 1        | TOP PANEL            |
| 2       | PANEL<br>Cat #: 89H85 Model/Part #: LB-83402             | 1        | FILLER               |
| 3       | COVER-CONTROL BOX<br>Cat #: 89H86 Model/Part #: LB-82674 | 1        | CONTROL BOX<br>COVER |
| 5       | GRILLE-DISCHARGE<br>Cat #: 69H65 Model/Part #: 69H6501   | 1        | GRILLE - FAN         |
| 6       | GUARD-OUTDOOR COIL<br>Cat #: 21J83 Model/Part #: 21J8301 | 1        | COND. GUARD 32 in.   |
| 7       | LEG<br>Cat #: 72H59 Model/Part #: 72H5901                | 4        | BASE                 |
| 8       | COVER-GRILLE<br>Cat #: 72H61 Model/Part #: 72H6101       | 1        | GRILLE COVER         |
| 9       | COVER<br>Cat #: 42J91 Model/Part #: 42J9101              | 1        | SOUND-<br>COMPRESSOR |

**CONTROL PANEL PARTS**

| <b>Callout</b> | <b>Name</b>  | <b>Quantity</b> | <b>Description</b>                |
|----------------|--|-----------------|-----------------------------------|
|                | CONTROL-TIMED OFF<br>Cat #: 32F21 Model/Part #: LB-50709BA | 1               | (OPT)                             |
| 23             | CONTACTOR<br>Cat #: 38393 Model/Part #: P-8-7736           | 1               | "3PDT,24V"                        |
| 24             | CAPACITOR-RUN<br>Cat #: 74H10 Model/Part #: 74H1001        | 1               | "60+10MFD,440VAC"                 |
| 27             | CAPACITOR<br>Cat #: 39H61 Model/Part #: 39H6101            | 1               | "10MFD,370VAC(208-230)"           |
| 27             | CAPACITOR<br>Cat #: 39H89 Model/Part #: 39H8901            | 1               | "7.5MFD,370VAC"                   |
| 28             | TRANSFORMER<br>Cat #: 13H79 Model/Part #: 13H7901          | 1               | "575V PRI,460V SEC,3.4VA, L/FUSE" |
| 30             | BLOCK-TERMINAL<br>Cat #: 89H80 Model/Part #: LB-83610      | 1               | LO VOLT(INTL)                     |
| 31             | BLOCK-TERMINAL<br>Cat #: 88C67 Model/Part #: 88C6701       | 1               | HI VOLT(INTL)                     |

**COOLING PARTS**

| <b>Callout</b> | <b>Name</b>   | <b>Quantity</b> | <b>Description</b>         |
|----------------|---|-----------------|----------------------------|
|                | CRANKCASE HTG INT OVLD (FOOTNOTE 2)<br>Cat #: Model/Part #: | 1               |                            |
|                | DRIER<br>Cat #: 12L71 Model/Part #: 12L7101                 | 1               | LIQUID LINE and (OPT)      |
|                | DRIER<br>Cat #: 12L75 Model/Part #: 12L7501                 | 1               | SUCTION LINE               |
|                | SWITCH-HI PRESS<br>Cat #: 31J37 Model/Part #: 31J3701       | 1               | OUT 410+10PSIG             |
|                | SWITCH-LO PRESS<br>Cat #: 37J05 Model/Part #: 37J0501       | 1               | "IN 55+5PSIG,OUT 25+5PSIG" |
|                | GLASS-SIGHT   | 1               | (OPT)                      |

| Callout | Name   | Quantity | Description                           |
|---------|--|----------|---------------------------------------|
|         | Cat #: 52J23 Model/Part #: 52J2301                       |          |                                       |
|         | MOUNT PKG-COMP<br>Cat #: 74J30 Model/Part #: 74J3001PR   | 1        | MOUNT PKG-COMP                        |
|         | FITTING PRESS TAP<br>Cat #: 86G64 Model/Part #: 86G6401  | 3        | FITTING, PRESSURE TAP                 |
|         | DISTRIBUTOR<br>Cat #: 36A76 Model/Part #: P-8-11102      | 1        | DISCHARGE LINE                        |
|         | VALVE CORE<br>Cat #: 66820 Model/Part #: P-8-1897        | 3        | VALVE, CORE                           |
|         | FLARENUT<br>Cat #: 68084 Model/Part #: P-8-2511          | 1        | "3/8""(INTL)"                         |
|         | BONNET-FLARE<br>Cat #: 68362 Model/Part #: P-8-2512      | 1        | "3/8""(INTL)"                         |
|         | CAP-SEAL<br>Cat #: 58114 Model/Part #: P-8-3187          | 1        | CAP, BRASS                            |
|         | SHIELD-RAIN<br>Cat #: 32621 Model/Part #: P-8-6142       | 1        | SHIELD, MOTOR                         |
| 10      | COIL-OUTDOOR<br>Cat #: 79H58 Model/Part #: LB-82606K     | 1        | W/MANIFOLD                            |
| 11      | RESTRICTOR-ORIFICE<br>Cat #: 47F62 Model/Part #: 47F6201 | 1        | RFC II                                |
| 12      | COMPRESSOR<br>Cat #: 21J64 Model/Part #: 21J6401         | 1        | "5TON,200-230/60/3,BRIS"              |
| 12      | COMPRESSOR<br>Cat #: 21J65 Model/Part #: 21J6501         | 1        | "5TON,380-420/50/3,AND 460/60/3,BRIS" |
| 12      | COMPRESSOR<br>Cat #: 65G80 Model/Part #: 21J6601         | 1        | "5TON,575/60/3,BRIS"                  |
| 13      | VALVE-SERVICE<br>Cat #: 69H63 Model/Part #: 69H6301      | 1        | "LIQUID LINE,3/8"""                   |
| 13      | VALVE-SERVICE<br>Cat #: 74H39 Model/Part #: 74H3901      | 1        | "LIQUID LINE,3/8""(INTL)"             |
| 14      | VALVE-SERVICE  | 1        | "SUCTION LINE,7/8"""                  |

| <b>Callout</b> | <b>Name</b>  | <b>Quantity</b> | <b>Description</b>            |
|----------------|--|-----------------|-------------------------------|
|                | Cat #: 74H30 Model/Part #: 74H3001                       |                 |                               |
| 15             | FAN<br>Cat #: 16C01 Model/Part #: 16C0101                | 1               | "1/2"BORE,24"DIA,4<br>BLADE"  |
| 18             | MOTOR-FAN<br>Cat #: 67C02 Model/Part #: 67C0201          | 1               | 1/4HP,825RPM,460/60/1         |
| 18             | MOTOR-FAN<br>Cat #: 72H36 Model/Part #: 72H3601          | 1               | 1/4HP,825RPM,208-<br>230/60/1 |
| 19             | WELL-THERMOMETER<br>Cat #: 10J33 Model/Part #: LB-83856A | 1               | THERMOMETER WELL<br>ASSY.     |
| 20             | MUFFLER<br>Cat #: 74H69 Model/Part #: 74H6901            | 1               | MUFFLER-COPPER-<br>1/2"ID     |
| 21             | MOUNT-MOTOR<br>Cat #: 69H69 Model/Part #: 69H6901        | 1               | FAN MOTOR MOUNT               |

**Note:**

Note1: SEE EXPANSION VALVE CHART ON CRL CARD. Note2: SEE FIELD REPLACEMENT CRANKCASE HEATER CHART ON CRL CARD.