

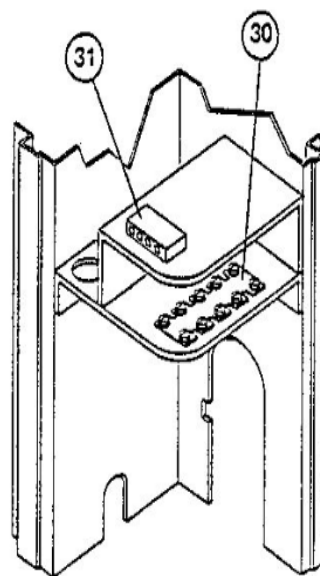
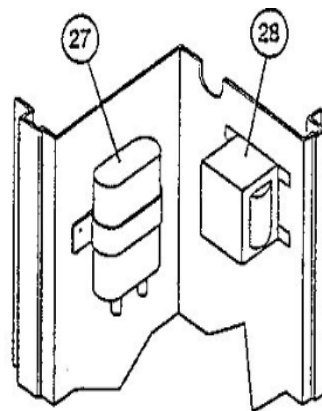
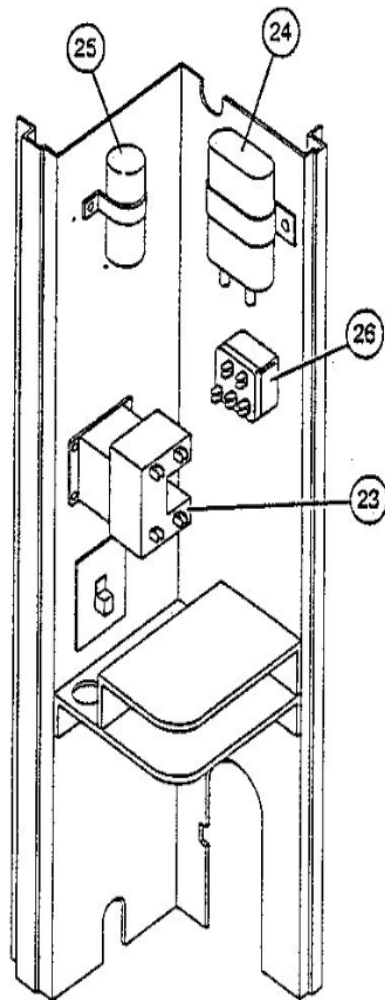
HS23 SERIES

NOVEMBER 20, 1992



HS23 SERIES CONTROL PANEL

NOVEMBER 20, 1992



INTERNATIONAL ONLY



Revision Number - 3

*OPTIONAL PARTS-FIELD INSTALLED

Callout	Name	Quantity	Description
	SWITCH - PRESSURE Cat #: 50F84 Model/Part #: 50F8401	1	"IN 25+3PSIG,OUT 15+5PSIG"
	VALVE-SADDLE Cat #: 65G91 Model/Part #: 65G9101	1	"3/8""
	VALVE-SADDLE Cat #: 78H71 Model/Part #: 78H7101	1	"1/2""
KIT 1	LOSS OF CHARGE KIT Cat #: 90H66 Model/Part #: LB-64647A	1	INC NEXT 3 PARTS

CABINET PARTS

Callout	Name	Quantity	Description
	BASE Cat #: 16J46 Model/Part #: LB-83173C	1	CONDENSER
1	PANEL-TOP Cat #: 89H84 Model/Part #: LB-82900	1	TOP PANEL
2	PANEL Cat #: 89H85 Model/Part #: LB-83402	1	FILLER
3	COVER-CONTROL BOX Cat #: 89H86 Model/Part #: LB-82674	1	CONTROL BOX COVER
5	GRILLE-DISCHARGE Cat #: 69H65 Model/Part #: 69H6501	1	GRILLE - FAN
6	GUARD-OUTDOOR COIL Cat #: 21J83 Model/Part #: 21J8301	1	COND. GUARD 32 in.
7	LEG Cat #: 72H59 Model/Part #: 72H5901	4	BASE
8	COVER-GRILLE Cat #: 72H61 Model/Part #: 72H6101	1	GRILLE COVER
9	COVER Cat #: 53J40 Model/Part #: 53J4001	1	SOUND- COMPRESSOR

CONTROL PANEL PARTS

Callout	Name	Quantity	Description
	CONTROL-TIMED OFF Cat #: 32F21 Model/Part #: LB-50709BA	1	CONTROL-TIMED OFF (OPT)
23	CONTACTOR Cat #: 38393 Model/Part #: P-8-7736	1	"3PDT,24V"
24	CAPACITOR-FAN&RUN Cat #: 78H19 Model/Part #: 78H1901	1	"45+10MFD,440VAC"
27	CAPACITOR Cat #: 39H61 Model/Part #: 39H6101	1	"10MFD,370VAC"
27	CAPACITOR Cat #: 39H89 Model/Part #: 39H8901	1	"7.5MFD,370VAC(460V)"
28	TRANSFORMER Cat #: 13H79 Model/Part #: 13H7901	1	"575V PRI,460V SEC,3.4VA, L/FUSE"
30	BLOCK-TERMINAL Cat #: 89H80 Model/Part #: LB-83610	1	LO VOLT (INTL)
31	BLOCK-TERMINAL Cat #: 88C67 Model/Part #: 88C6701	1	HI VOLT (INTL)

COOLING PARTS

Callout	Name	Quantity	Description
	VALVE-EXPANSION(FOOTNOTE 1) Cat #: Model/Part #:	1	
	DRIER Cat #: 12L71 Model/Part #: 12L7101	1	LIQUID LINE
	DRIER Cat #: 12L75 Model/Part #: 12L7501	1	SUCTION LINE
	SWITCH-HI PRESS Cat #: 31J37 Model/Part #: 31J3701	1	OUT 410+10PSIG
	KIT Cat #: 42J56 Model/Part #: 42J5601	1	RFC4(.088)
	GLASS-SIGHT	1	SIGHT GLASS (OPT)

Callout	Name	Quantity	Description
	Cat #: 52J23 Model/Part #: 52J2301		
	FITTING PRESS TAP Cat #: 86G64 Model/Part #: 86G6401	3	FITTING, PRESSURE TAP
	KIT-COMPR MTG Cat #: 87F70 Model/Part #: 87F7001PR	1	MOUNT PKG-COMP
	SWITCH-LO PRESS Cat #: 87265 Model/Part #: P-8-10978	1	IN 55PSIG, OUT 25PSIG
	VALVE CORE Cat #: 66820 Model/Part #: P-8-1897	3	VALVE, CORE
	FLARENUT Cat #: 68084 Model/Part #: P-8-2511	1	3/8"(INTL)
	BONNET-FLARE Cat #: 68362 Model/Part #: P-8-2512	1	3/8"(INTL)
	CAP-SEAL Cat #: 58114 Model/Part #: P-8-3187	1	CAP, BRASS
	SHIELD-RAIN Cat #: 32621 Model/Part #: P-8-6142	1	SHIELD, MOTOR
10	COIL-OUTDOOR Cat #: 79H57 Model/Part #: LB-82606J	1	W/MANIFOLD
11	RESTRICTOR-ORIFICE Cat #: 47F60 Model/Part #: 47F6001	1	RFC II
12	COMPRESSOR Cat #: 74H54 Model/Part #: 74H5401	1	"4TON,200-230/60/3,TEC"
12	COMPRESSOR Cat #: 74H55 Model/Part #: 74H5501	1	"4TON,380-420/50/3,AND 460/60/3,TEC"
12	COMPRESSOR Cat #: 74H56 Model/Part #: 74H5601	1	"4TON,575/60/3,TEC"
13	VALVE-SERVICE Cat #: 69H63 Model/Part #: 69H6301	1	"LIQUID LINE,3/8"""
13	VALVE-SERVICE Cat #: 74H39 Model/Part #: 74H3901	1	LIQUID LINE 3/8" (INTL)
14	VALVE-SERVICE	1	"SUCTION LINE,7/8"""

Callout	Name	Quantity	Description
	Cat #: 22W71 Model/Part #: 72H9201		
15	FAN Cat #: 16C01 Model/Part #: 16C0101	1	"1/2"BORE,24"DIA,4 BLADE"
18	MOTOR-FAN Cat #: 67C02 Model/Part #: 67C0201	1	1/4HP,825RPM,460/60/1
18	MOTOR-FAN Cat #: 72H36 Model/Part #: 72H3601	1	1/4HP,825RPM,208- 230/60/1
19	WELL-THERMOMETER Cat #: 10J33 Model/Part #: LB-83856A	1	THERMOMETER WELL ASSY.
20	MUFFLER Cat #: 74H69 Model/Part #: 74H6901	1	MUFFLER-COPPER- 1/2"ID
21	MOUNT-MOTOR Cat #: 69H69 Model/Part #: 69H6901	1	FAN MOTOR MOUNT

Note:

Note1: SEE EXPANSION VALVE CHART ON CRL CARD. Note2: SEE FIELD REPLACEMENT CRANKCASE HEATER CHART ON CRL CARD.