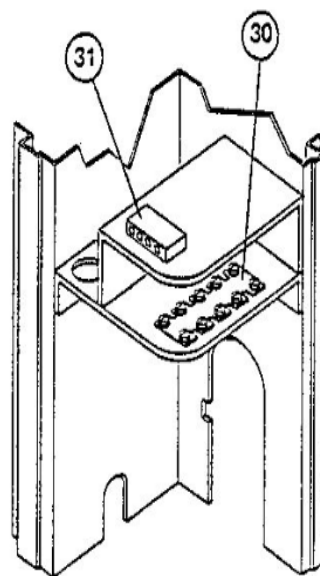
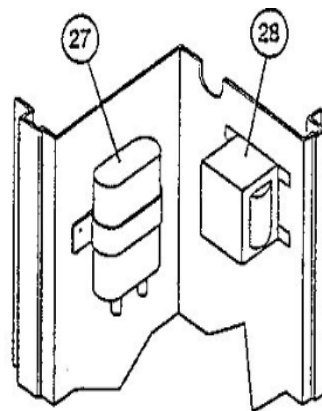
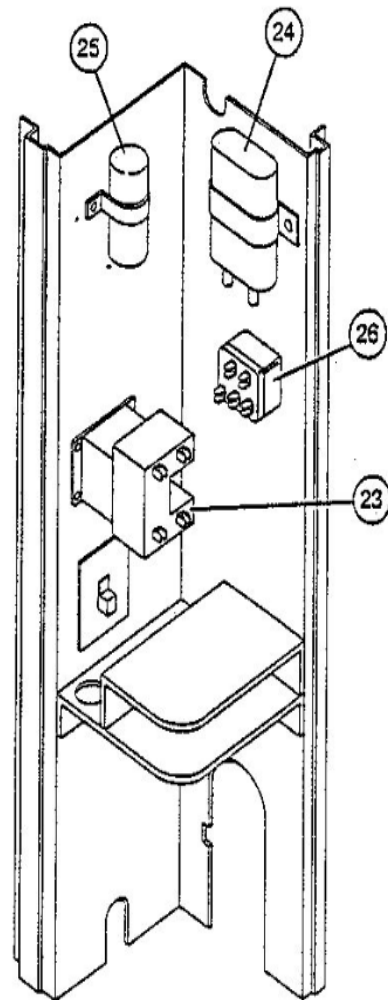


HS23 SERIES CONTROL PANEL

NOVEMBER 20, 1992



INTERNATIONAL ONLY

Revision Number - 2

*OPTIONAL PARTS-FIELD INSTALLED

| Callout | Name | Quantity | Description |
|---------|--|----------|-------------------------------|
| | SWITCH - PRESSURE Cat #: 50F84 Model/Part #: 50F8401 | 1 | "IN 25+3PSIG,OUT 15+5PSIG" |
| | VALVE-SADDLE Cat #: 65G91 Model/Part #: 65G9101 | 1 | "3/8"" |
| | VALVE-SADDLE Cat #: 78H71 Model/Part #: 78H7101 | 1 | "1/2"" |
| KIT 1 | LOSS OF CHARGE KIT Cat #: 90H66 Model/Part #: LB-64647A | 1 | INC NEXT 3 PARTS |

CABINET PARTS

| Callout | Name | Quantity | Description |
|---------|--|----------|----------------------|
| | BASE Cat #: 16J46 Model/Part #: LB-83173C | 1 | CONDENSER |
| 1 | PANEL-TOP Cat #: 89H84 Model/Part #: LB-82900 | 1 | TOP PANEL |
| 3 | COVER-CONTROL BOX Cat #: 89H86 Model/Part #: LB-82674 | 1 | CONTROL BOX COVER |
| 5 | GRILLE-DISCHARGE Cat #: 69H65 Model/Part #: 69H6501 | 1 | GRILLE - FAN |
| 6 | GUARD-OUTDOOR COIL Cat #: 21J83 Model/Part #: 21J8301 | 1 | COND. GUARD 32 in. |
| 7 | LEG Cat #: 72H59 Model/Part #: 72H5901 | 4 | BASE |
| 8 | COVER-GRILLE Cat #: 72H61 Model/Part #: 72H6101 | 1 | GRILLE COVER |
| 9 | COVER Cat #: 53J40 Model/Part #: 53J4001 | 1 | SOUND- COMPRESSOR |

CONTROL PANEL PARTS

| Callout | Name | Quantity | Description |
|----------------|--|-----------------|-------------------------|
| | CONTROL-TIMED OFF Cat #: 32F21 Model/Part #: LB-50709BA | 1 | (OPT) |
| 23 | CONTACTOR Cat #: 38393 Model/Part #: P-8-7736 | 1 | "3PDT,24V" |
| 24 | CAPACITOR-FAN&RUN Cat #: 78H19 Model/Part #: 78H1901 | 1 | "45+10MFD,440VAC" |
| 25 | CAPACITOR-START Cat #: 66083 Model/Part #: P-8-1101 | 1 | "135- 155MFD,320VAC" |
| 27 | CAPACITOR Cat #: 39H89 Model/Part #: 39H8901 | 1 | "7.5MFD,370VAC" |

COOLING PARTS

| Callout | Name | Quantity | Description |
|----------------|---|-----------------|-------------------------------|
| | RELAY-OVERLOADCOMP-INTERNAL Cat #: Model/Part #: | 1 | |
| | DRIER Cat #: 12L71 Model/Part #: 12L7101 | 1 | LIQUID LINE |
| | DRIER Cat #: 12L75 Model/Part #: 12L7501 | 1 | SUCTION LINE |
| | SWITCH-HI PRESS Cat #: 31J37 Model/Part #: 31J3701 | 1 | OUT 410+10PSIG |
| | SWITCH-LO PRESS Cat #: 37J05 Model/Part #: 37J0501 | 1 | "IN 55+5PSIG,OUT 25+5PSIG" |
| | KIT Cat #: 42J53 Model/Part #: 42J5301 | 1 | RFC4(.082) |
| | GLASS-SIGHT Cat #: 52J23 Model/Part #: 52J2301 | 1 | (OPT) |
| | MOUNT-MOTOR Cat #: 69H69 Model/Part #: 69H6901 | 1 | FAN MOTOR MOUNT |
| | MUFFLER | 1 | MUFFLER-COPPER- |

| Callout | Name | Quantity | Description |
|----------------|---|-----------------|------------------------------------|
| | Cat #: 74H69 Model/Part #: 74H6901 | | 1/2"ID |
| | FITTING PRESS TAP Cat #: 86G64 Model/Part #: 86G6401 | 3 | FITTING, PRESSURE TAP |
| | KIT-COMPR MTG Cat #: 87F70 Model/Part #: 87F7001PR | 1 | MOUNT PKG-COMP |
| | SWITCH-LO PRESS Cat #: 87265 Model/Part #: P-8-10978 | 1 | "IN 55+5PSIG,OUT 25+5PSIG(OPT)" |
| | VALVE CORE Cat #: 66820 Model/Part #: P-8-1897 | 3 | VALVE, CORE 8075910047 |
| | FLARENUT Cat #: 68084 Model/Part #: P-8-2511 | 1 | "3/8""(OPT)" |
| | BONNET-FLARE Cat #: 68362 Model/Part #: P-8-2512 | 1 | "3/8""(OPT)" |
| | CAP-SEAL Cat #: 58114 Model/Part #: P-8-3187 | 1 | CAP, BRASS |
| | SHIELD-RAIN Cat #: 32621 Model/Part #: P-8-6142 | 1 | SHIELD, MOTOR |
| 10 | COIL-OUTDOOR Cat #: 79H57 Model/Part #: LB-82606J | 1 | W/MANIFOLD |
| 11 | RESTRICTOR Cat #: 40A83 Model/Part #: P-8-11323 | 1 | RFC II |
| 12 | COMPRESSOR Cat #: 25J64 Model/Part #: 25J6401 | 1 | "3-1/2TON,208- 230/60/3,TEC" |
| 12 | COMPRESSOR Cat #: 25J65 Model/Part #: 25J6501 | 1 | "3- 1/2TON,460/60/3,TEC" |
| 13 | VALVE-SERVICE Cat #: 69H63 Model/Part #: 69H6301 | 1 | "LIQUID LINE,3/8""" |
| 14 | VALVE-SERVICE Cat #: 22W71 Model/Part #: 72H9201 | 1 | "SUCTION LINE,7/8""" |
| 15 | FAN Cat #: 16C01 Model/Part #: 16C0101 | 1 | "1/2""BORE,24""DIA,4 BLADE" |
| 18 | MOTOR-FAN Cat #: 67C02 Model/Part #: 67C0201 | 1 | 1/4HP,825RPM,460/60/1 |

| Callout | Name | Quantity | Description |
|----------------|--|-----------------|---------------------------|
| 18 | MOTOR-FAN Cat #: 72H36 Model/Part #: 72H3601 | 1 | 1/4HP,825RPM,208-230/60/1 |
| 19 | WELL-THERMOMETER Cat #: 10J33 Model/Part #: LB-83856A | 1 | THERMOMETER WELL ASSY. |

Note:

There are no technical notes for this product.