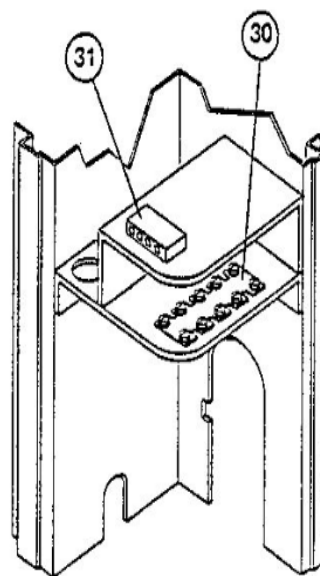
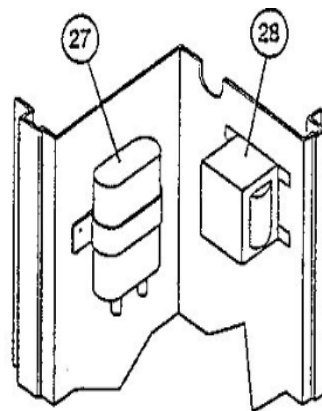
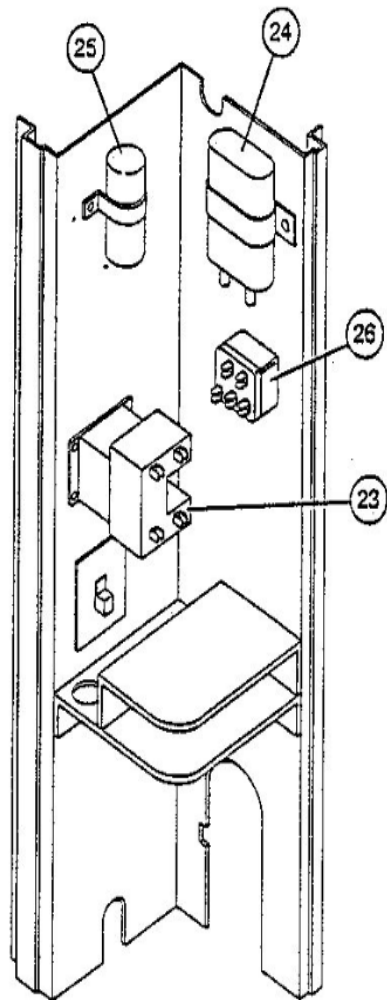


HS23 SERIES

NOVEMBER 20, 1992

HS23 SERIES CONTROL PANEL

NOVEMBER 20, 1992



INTERNATIONAL ONLY

Revision Number - 1

*OPTIONAL PARTS-FIELD INSTALLED

Callout	Name	Quantity	Description
	SWITCH - PRESSURE Cat #: 50F84 Model/Part #: 50F8401	1	"IN 25+3PSIG,OUT 15+5PSIG"
	VALVE-SADDLE Cat #: 65G91 Model/Part #: 65G9101	1	"3/8""
	VALVE-SADDLE Cat #: 78H71 Model/Part #: 78H7101	1	"1/2""
KIT 1	LOSS OF CHARGE KIT Cat #: 90H66 Model/Part #: LB-64647A	1	INC NEXT 3 PARTS

CABINET PARTS

Callout	Name	Quantity	Description
	BASE Cat #: 16J45 Model/Part #: LB-83173B	1	CONDENSER
1	PANEL-TOP Cat #: 89H77 Model/Part #: LB-82603	1	TOP PANEL
3	COVER-CONTROL PANEL Cat #: 89H78 Model/Part #: LB-83075	1	CONTROL BOX COVER
5	GRILLE-DISCHARGE Cat #: 69H64 Model/Part #: 69H6401	1	GRILLE - FAN
6	GUARD-OUTDOOR COIL Cat #: 21J81 Model/Part #: 21J8101	1	COND. GUARD 24 in.
7	LEG Cat #: 72H59 Model/Part #: 72H5901	4	BASE
8	COVER-GRILLE Cat #: 72H61 Model/Part #: 72H6101	1	GRILLE COVER

CONTROL PANEL PARTS

Callout	Name	Quantity	Description
	CONTROL-TIMED OFF Cat #: 32F21 Model/Part #: LB-50709BA	1	(OPT)
23	CONTACTOR Cat #: 65C69 Model/Part #: 65C6901	1	"SPST,24V"
23	CONTACTOR Cat #: 66441 Model/Part #: P-8-9549	1	"DPDT,24V(INTL)"
24	CAPACITOR-FAN&RUN Cat #: 53H22 Model/Part #: 39H7901	1	"25+5MFD,370VAC"
30	BLOCK-TERMINAL Cat #: 89H80 Model/Part #: LB-83610	1	LO VOLT(INTL)
31	BLOCK-TERMINAL Cat #: 88C67 Model/Part #: 88C6701	1	HI VOLT(INTL)

COOLING PARTS

Callout	Name	Quantity	Description
	RELAY-OVERLOADCOMP-INTERNAL Cat #: Model/Part #:	1	
	SWITCH-HI PRESS Cat #: 31J37 Model/Part #: 31J3701	1	OUT 410+10PSIG
	SWITCH-LO PRESS Cat #: 37J05 Model/Part #: 37J0501	1	"IN 55+5PSIG,OUT 25+5PSIG"
	KIT Cat #: 42J39 Model/Part #: 42J3901	1	RFC4(.055)
	GLASS-SIGHT Cat #: 52J23 Model/Part #: 52J2301	1	(OPT)
	DRIER Cat #: 58A63 Model/Part #: 58A6301	1	SUCTION LINE
	DRIER Cat #: 69H06 Model/Part #: 69H0601	1	LIQUID LINE and (OPT)
	FITTING PRESS TAP Cat #: 86G64 Model/Part #: 86G6401	3	FITTING, PRESSURE TAP
	KIT-COMPR MTG	1	MOUNT PKG-COMP

Callout	Name	Quantity	Description
	Cat #: 87F70 Model/Part #: 87F7001PR		
	SWITCH-LO PRESS Cat #: 87265 Model/Part #: P-8-10978	1	"IN 55+5PSIG,OUT 25+5PSIG and (OPT)"
	NUT Cat #: 57913 Model/Part #: P-8-1627	1	"5/8""(INTL)"
	VALVE CORE Cat #: 66820 Model/Part #: P-8-1897	3	VALVE, CORE 8075910047
	FLARENUT Cat #: 68084 Model/Part #: P-8-2511	1	"3/8""(INTL)"
	BONNET-FLARE Cat #: 68362 Model/Part #: P-8-2512	1	"3/8""(INTL)"
	BONNET-FLARE Cat #: 68361 Model/Part #: P-8-2691	1	"5/8""(INTL)"
	CAP-SEAL Cat #: 58114 Model/Part #: P-8-3187	1	CAP, BRASS
10	COIL-OUTDOOR Cat #: 79H49 Model/Part #: LB-82606A	1	W/MANIFOLD
11	RESTRICTOR-ORIFICE Cat #: 97H33 Model/Part #: 97H3301	1	RFC II
12	COMPRESSOR Cat #: 72H34 Model/Part #: 72H3401	1	"1-1/2TON,208- 230/60/1,COPE"
12	COMPRESSOR Cat #: 74H45 Model/Part #: 74H4501	1	"1-1/2TON,220- 240/50/1,COPE"
13	VALVE-SERVICE Cat #: 69H63 Model/Part #: 69H6301	1	"LIQUID LINE,3/8"""
13	VALVE-SERVICE Cat #: 74H39 Model/Part #: 74H3901	1	"LIQUID LINE,3/8""(INTL)"
14	VALVE-SERVICE Cat #: 72H90 Model/Part #: 72H9001	1	"SUCTION LINE,5/8"""
14	VALVE-SERVICE Cat #: 74H41 Model/Part #: 74H4101	1	"SUCTION LINE,5/5""(INTL)"
15	FAN Cat #: 72H29 Model/Part #: 72H2901	1	"1/2""BORE,20""DIA,3 BLADE"

Callout	Name	Quantity	Description
18	MOTOR-FAN Cat #: 72H73 Model/Part #: 72H7301	1	"1/6HP,825RPM,208-230/60/1"
18	MOTOR-FAN Cat #: 78H10 Model/Part #: 78H1001	1	"1/10HP,700RPM,220-240/50/1"
19	WELL-THERMOMETER Cat #: 10J33 Model/Part #: LB-83856A	1	THERMOMETER WELL ASSY.

Note:

There are no technical notes for this product.