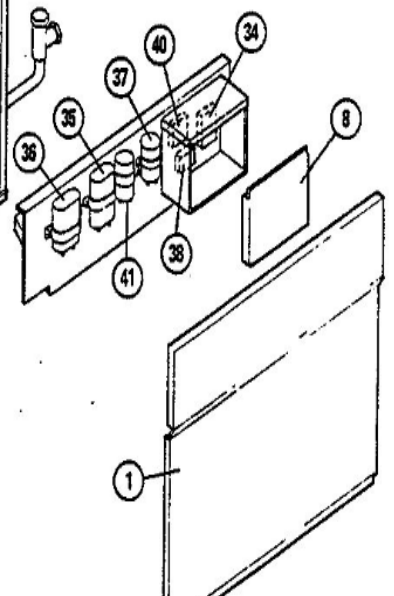
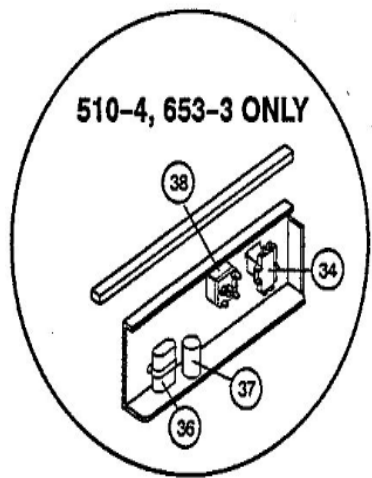
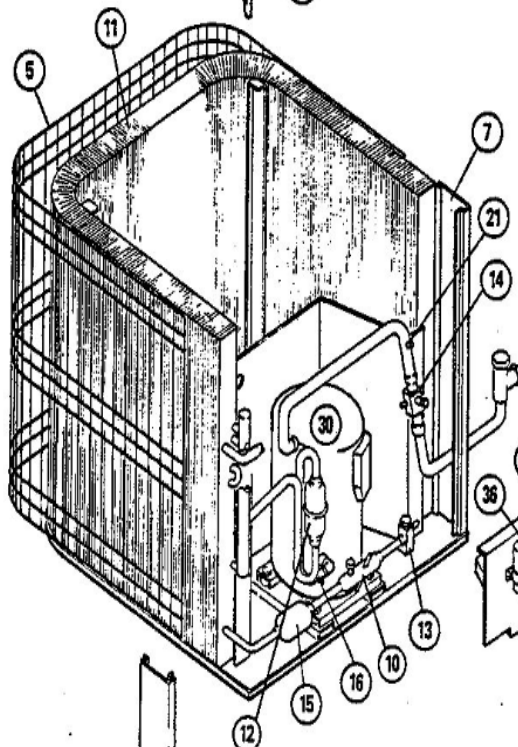
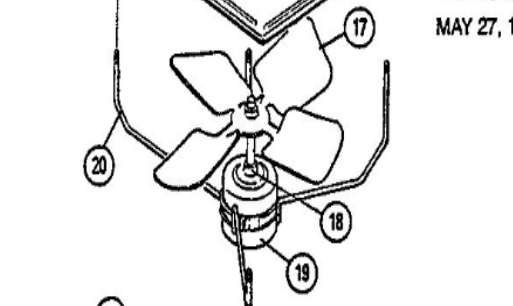


HS19 SERIES
MAY 27, 1992



Revision Number - 3

CABINET PARTS

Callout	Name	Quantity	Description
	LEG-BASE Cat #: 65G67 Model/Part #: 65G6701	2	LEG-PLASTIC BASE LARGE
	BASE Cat #: 16J57 Model/Part #: LB-38903BC	1	BASE S/A
	BRACKET Cat #: 15J12 Model/Part #: LB-56980C	2	COIL SUPPORT
	WRAPPER-COMP Cat #: 12J82 Model/Part #: LB-58915CB	1	WRAPPER S.A.
1	PANEL Cat #: 60H45 Model/Part #: LB-59022CG	1	ACCESS(LIGHT COLOR)
2	PANEL-TOP Cat #: 55H50 Model/Part #: LB-62529A	1	TOP PANEL (LIGHT COLOR)
3	GRILLE-DISCHARGE Cat #: 77H40 Model/Part #: LB-83350	1	GRILLE
4	NUT Cat #: 73K93 Model/Part #: 73K9301	4	RETAINING-FOR DISCH GRILLE
5	GUARD-OUTDOOR COIL Cat #: 93G0301 Model/Part #: 93G0301	1	GUARD-COIL
6	MULLION Cat #: 53H69 Model/Part #: LB-61076C	1	MULLION LEFT(LIGHT COLOR)
7	POST-CORNER Cat #: 10J78 Model/Part #: LB-83867	1	CORNER POST RIGHT (LIGHT COLOR)

CONTROL PANEL PARTS

Callout	Name	Quantity	Description
34	CONTACTOR-COMP Cat #: 96C86 Model/Part #: 96C8601	1	"SPST,N.O.,24V"
34	CONTACTOR	1	"DPDT,24V"

Callout	Name	Quantity	Description
	Cat #: 38393 Model/Part #: P-8-7736		
35	CAPACITOR-RUN Cat #: 74H10 Model/Part #: 74H1001	1	"60+10MFD,440VAC"
36	CAPACITOR Cat #: 39H61 Model/Part #: 39H6101	1	"10MFD,370VAC(208-230V)"
36	CAPACITOR Cat #: 39H89 Model/Part #: 39H8901	1	"7.5MFD,370VAC(460V)"
37	CAPACITOR-START Cat #: 86H81 Model/Part #: 86H8101	1	"216-259MFD,250VAC"
38	RELAY-POTENTIAL Cat #: 74H01 Model/Part #: 74H0101	1	"SP,NC,480V"

COOLING PARTS

Callout	Name	Quantity	Description
	HEATER-CRANKCASEINTERNAL Cat #: Model/Part #:	1	
	MOUNT PKG-COMP Cat #: 87F70 Model/Part #: 11J9901PR	1	MOUNT PKG-COMP
	DRIER Cat #: 12L75 Model/Part #: 12L7501	1	SUCTION LINE
	VALVE CORE Cat #: 66820 Model/Part #: P-8-1897	2	VALVE, CORE
	CAP-SEAL Cat #: 58114 Model/Part #: P-8-3187	2	CAP, BRASS
10	WELL-THERMOMETER Cat #: 25G48 Model/Part #: LB-54392CB	1	THERMO-WELL ASSEMBLY
11	COIL-OUTDOOR Cat #: 50G94 Model/Part #: LB-80733ABH	1	W/MANIFOLD
12	MUFFLER Cat #: 76H6901 Model/Part #: 76H6901	1	DISCHARGE LINE

Callout	Name	Quantity	Description
13	VALVE-SERVICE Cat #: 65G56 Model/Part #: 65G5601	1	"LIQUID LINE,3/8""
14	VALVE-SERVICE Cat #: 46F77 Model/Part #: 46F7701	1	"SUCTION LINE,7/8""
15	DRIER Cat #: 69H10 Model/Part #: 69H1001	1	LIQUID LINE
17	FAN Cat #: 12F20 Model/Part #: 12F2001	1	"1/2""BORE,24""DIA,4BLADE"
18	SHIELD-RAIN Cat #: 32621 Model/Part #: P-8-6142	1	SHIELD, MOTOR
19	MOTOR-FAN Cat #: 67C02 Model/Part #: 67C0201	1	"1/4HP,825RPM,460/60/1"
19	MOTOR-FAN Cat #: 72H36 Model/Part #: 72H3601	1	"1/4HP,825RPM,208-230/60/1"
20	BRACKET-MTR MTG Cat #: 45F27 Model/Part #: 45F2701	1	MOUNT-MOTOR (63K65 REPLACES)
30	COMPRESSOR Cat #: 86H7901 Model/Part #: 86H7901	1	"5TON,208-230/60/3,BRIS"
30	COMPRESSOR Cat #: 86H8001 Model/Part #: 86H8001	1	"5TON,460/60/3,BRIS"

Note:

Note1: SEE EXPANSION VALVE CHART IN CROSS REFERENCE SECTION.