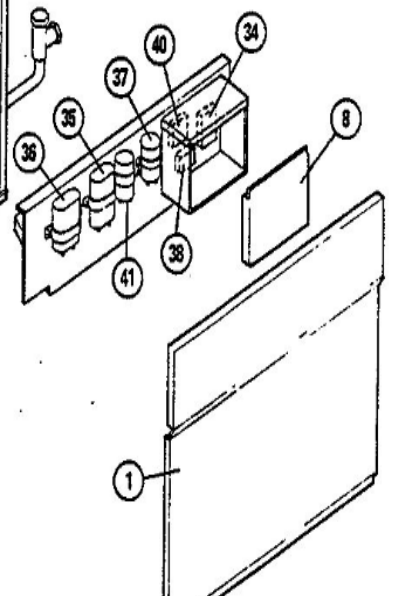
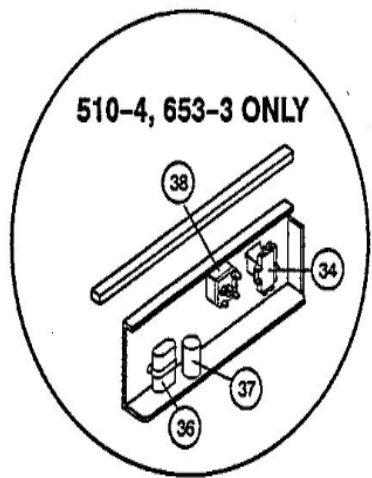
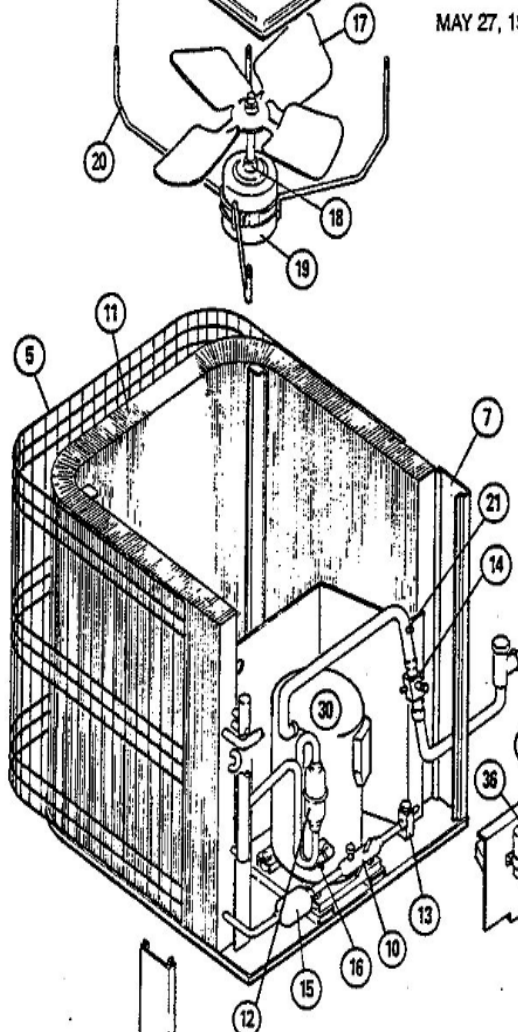


HS19 SERIES
MAY 27, 1992



Revision Number - 6

*OPTIONAL PARTS-FIELD INSTALLED

Callout	Name	Quantity	Description
	VALVE-SADDLE Cat #: 65G91 Model/Part #: 65G9101	1	VALVE
	TEE Cat #: 87071 Model/Part #: P-8-10569	1	SCHRADER DEPRESSOR
	NUT Cat #: 59498 Model/Part #: P-8-1218	2	FLARE
	CAP-SEAL Cat #: 58114 Model/Part #: P-8-3187	1	CAP, BRASS
	FITTING Cat #: 59784 Model/Part #: P-8-4934	1	STRAIN RELIEF
	SWITCH-LO PRESS Cat #: 68493 Model/Part #: P-8-6383	1	"IN 285PSIG,OUT 140PSIG"
HP KT2	LOW AMBIENT KIT Cat #: 24H77 Model/Part #: LB-57113BC	1	LOW AMBIENT KIT

CABINET PARTS

Callout	Name	Quantity	Description
	LEG-BASE Cat #: 65G67 Model/Part #: 65G6701	2	LEG-PLASTIC BASE LARGE
	BRACKET Cat #: 16J48 Model/Part #: LB-57347C	2	COIL SUPPORT
	BASE Cat #: 16J62 Model/Part #: LB-58810CC	1	BASE S/A
	WRAPPER-COMP Cat #: 12J82 Model/Part #: LB-58915CB	1	WRAPPER S.A.
1	PANEL Cat #: 44J16 Model/Part #: LB-84430C	1	ACCESS (LIGHT COLOR)
2	PANEL-TOP Cat #: 55H50 Model/Part #: LB-62529A	1	TOP PANEL (LIGHT COLOR)

Callout	Name	Quantity	Description
3	GRILL-DISCHARGE Cat #: 56H26 Model/Part #: LB-61995C	1	GRILLE, DISCHARGE
4	NUT Cat #: 73K93 Model/Part #: 73K9301	4	RETAINING-FOR DISCH GRILLE
5	GUARD-OUTDOOR COIL Cat #: 31J53 Model/Part #: 31J5301	1	COND. GUARD
6	MULLION Cat #: 79H83 Model/Part #: LB-62530C	1	LEFT(LIGHT COLOR)
7	MULLION Cat #: 44J12 Model/Part #: LB-84309	1	RIGHT (LIGHT COLOR)

CONTROL PANEL PARTS

Callout	Name	Quantity	Description
34	CONTACTOR Cat #: 38393 Model/Part #: P-8-7736	1	"3PDT,24V"
36	CAPACITOR Cat #: 39H61 Model/Part #: 39H6101	1	"10MFD,370VAC (208- 230V)"
36	CAPACITOR Cat #: 39H89 Model/Part #: 39H8901	1	"7.5MFD,370VAC(460V)"
38	RELAY-POTENTIAL Cat #: 74H01 Model/Part #: 74H0101	1	"SP,NC,480V"
40	CONTROL-TIMED OFF Cat #: 47J27 Model/Part #: LB-50709BK	1	(OPTIONAL)

COOLING PARTS

Callout	Name	Quantity	Description
	RELAY-OVERLOADCOMP-INTERNAL Cat #: Model/Part #:	1	
	DRIER Cat #: 12L75 Model/Part #: 12L7501	1	SUCTION LINE
	MOUNT PKG-COMP Cat #: 74J30 Model/Part #: 36J9601PR	1	MOUNT PKG-COMP

Callout	Name	Quantity	Description
	UNION Cat #: 37A89 Model/Part #: 37A8901	1	(OPTIONAL)
	FERRULE REPL PKG Cat #: 42C39 Model/Part #: 42C3901PR	1	(OPTIONAL)
	FERRULE REPL PKG Cat #: 45C71 Model/Part #: 45C7101PR	1	(OPTIONAL)
	FITTING PRESS TAP Cat #: 86G64 Model/Part #: 86G6401	1	(OPTIONAL)
10	WELL-THERMOMETER Cat #: 26G11 Model/Part #: LB-54392CF	1	THERMOMETER WELL ASSY.
11	COIL-OUTDOOR Cat #: 92G65 Model/Part #: LB-80733ACH	1	W/MANIFOLD
12	MUFFLER Cat #: 74H69 Model/Part #: 74H6901	1	DISCHARGE LINE
13	VALVE-BRASS Cat #: 54G97 Model/Part #: 54G9701	1	"LIQUID LINE,3/8""
14	VALVE-SERVICE Cat #: 22W71 Model/Part #: 72H9201	1	"SUCTION LINE,7/8""
15	DRIER Cat #: 12L71 Model/Part #: 12L7101	1	LIQUID LINE(OPT)
16	SWITCH-HI PRESS Cat #: 86H31 Model/Part #: 86H3101	1	CUTOUT 410PSIG
17	FAN Cat #: 12F20 Model/Part #: 12F2001	1	"1/2"" BORE,24""DIA,4 BLADES"
18	SHIELD-RAIN Cat #: 32621 Model/Part #: P-8-6142	1	SHIELD, MOTOR
19	MOTOR-FAN Cat #: 67C02 Model/Part #: 67C0201	1	"1/4HP,825RPM,460/60/1)"
19	MOTOR-FAN Cat #: 72H36 Model/Part #: 72H3601	1	"1/4HP,825RPM,208-230/60/1"
20	BRACKET-MTR MTG Cat #: 45F27 Model/Part #: 45F2701	1	MOUNT-MOTOR (63K65 REPLACES)

Callout	Name	Quantity	Description
21	SWITCH-LO PRESS Cat #: 87265 Model/Part #: P-8-10978	1	"IN 55PSIG,OUT 25PSIG (OPTIONAL)"
30	COMPRESSOR Cat #: 21J61 Model/Part #: 21J6101	1	"4TON,200- 230/60/3,BRIS"
30	COMPRESSOR Cat #: 21J62 Model/Part #: 21J6201	1	"4TON,460/60/3"

Note:

Note1: SEE EXPANSION VALVE CHART IN CROSS REFERENCE SECTION.