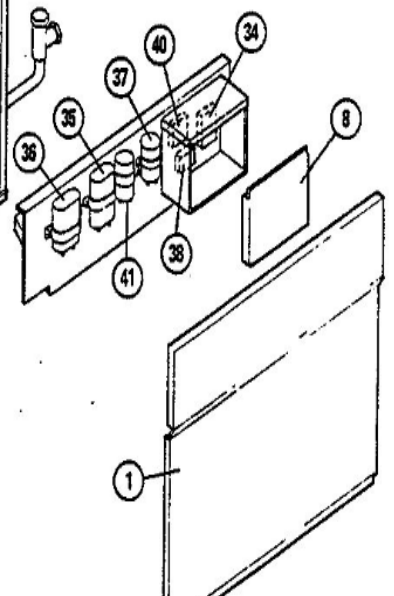
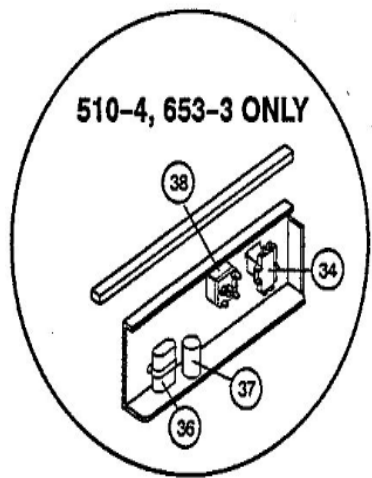
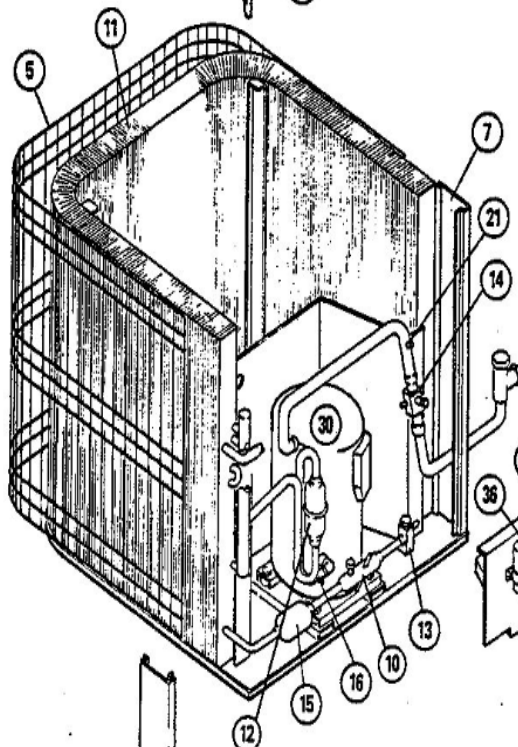
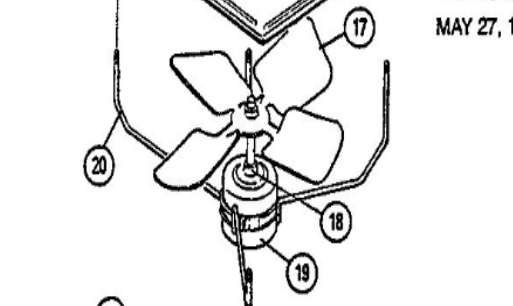


**HS19 SERIES**  
MAY 27, 1992



Revision Number - 3

## \*OPTIONAL PARTS-FIELD INSTALLED

Callout	Name	Quantity	Description
	TEE Cat #: 87071 Model/Part #: P-8-10569	1	SCHRADER DEPRESSOR
	NUT Cat #: 59498 Model/Part #: P-8-1218	2	NUT, FLARE 1/4
	CAP-SEAL Cat #: 58114 Model/Part #: P-8-3187	1	CAP, BRASS
	FITTING Cat #: 59784 Model/Part #: P-8-4934	1	STRAIN RELIEF
	SWITCH-LO PRESS Cat #: 68493 Model/Part #: P-8-6383	1	"IN 285PSIG,OUT 140PSIG"
HP KIT	LOW AMBIENT KIT Cat #: LB-57113BB Model/Part #: LB-57113BB	1	LOW AMBIENT KIT

## CABINET PARTS

Callout	Name	Quantity	Description
	WRAPPER-COMP Cat #: 85H74 Model/Part #: LB-29098CT	1	WRAPPER S.A.
	BASE Cat #: 16J57 Model/Part #: LB-38903BC	1	BASE S/A
	BRACKET Cat #: 16J48 Model/Part #: LB-57347C	2	COIL SUPPORT
1	PANEL Cat #: 75H09 Model/Part #: LB-59022CF	1	ACCESS(LIGHT COLOR)
2	PANEL-TOP Cat #: 55H50 Model/Part #: LB-62529A	1	TOP PANEL (LIGHT COLOR)
3	GRILLE-DISCHARGE Cat #: 47C97 Model/Part #: LB-34250C	1	GRILLE-DISCHARGE
4	NUT Cat #: 73K93 Model/Part #: 73K9301	4	RETAINING-FOR DISCH GRILLE

Callout	Name	Quantity	Description
5	GUARD-OUTDOOR COIL Cat #: LB-57335C Model/Part #: LB-57335C	1	GUARD-OUTDOOR COIL
6	MULLION Cat #: 79H83 Model/Part #: LB-62530C	1	LEFT(LIGHT COLOR)
7	POST-CORNER Cat #: 76H91 Model/Part #: LB-62528C	1	RIGHT(LIGHT COLOR)
8	COVER-CONTROL BOX Cat #: 63A24 Model/Part #: LB-80652C	1	COVER-BOX

## CONTROL PANEL PARTS

Callout	Name	Quantity	Description
34	CONTACTOR Cat #: 38393 Model/Part #: P-8-7736	1	"3PDT,24V"
35	CAPACITOR-RUN Cat #: 96C56 Model/Part #: 96C5601	1	"40MFD,440VAC"
36	CAPACITOR Cat #: 81A39 Model/Part #: 81A3901	1	"7MFD,370VAC"
37	CAPACITOR-START Cat #: 63A06 Model/Part #: 63A0601	1	"176-216MFD,330VAC"
38	RELAY-POTENTIAL Cat #: 66463 Model/Part #: P-8-1617	1	"SPNC,480V"
40	CONTROL-TIMED OFF Cat #: 47J27 Model/Part #: LB-50709BK	1	(OPTIONAL)

## COOLING PARTS

Callout	Name	Quantity	Description
	RELAY-OVERLOADCOMP-INTERNAL Cat #: Model/Part #:	1	
	DRIER Cat #: 12L75 Model/Part #: 12L7501	1	SUCTION LINE
	GLASS-SIGHT Cat #: 18F64 Model/Part #: 18F6401	1	(OPTIONAL)

<b>Callout</b>	<b>Name</b>	<b>Quantity</b>	<b>Description</b>
	INSERT Cat #: 28C64 Model/Part #: 28C6401	1	(OPTIONAL)
	UNION Cat #: 37A89 Model/Part #: 37A8901	1	(OPTIONAL)
	FERRULE REPL PKG Cat #: 42C39 Model/Part #: 42C3901PR	1	(OPTIONAL)
	FERRULE REPL PKG Cat #: 45C71 Model/Part #: 45C7101PR	1	(OPTIONAL)
	FITTING PRESS TAP Cat #: 86G64 Model/Part #: 86G6401	1	(OPTIONAL)
	KIT-COMPR MTG Cat #: 87F70 Model/Part #: 87F7001PR	1	MOUNT PKG-COMP
	CAP-SEAL Cat #: 66817 Model/Part #: P-8-1401	1	FITTING-PRESSURE TAP
	VALVE CORE Cat #: 66820 Model/Part #: P-8-1897	2	VALVE, CORE
	CAP-SEAL Cat #: 58114 Model/Part #: P-8-3187	2	CAP, BRASS
10	WELL-THERMOMETER Cat #: 25G47 Model/Part #: LB-54392CA	1	THERMOMETER WELL ASY
11	COIL-OUTDOOR Cat #: 92G65 Model/Part #: LB-80733ACH	1	W/MANIFOLD
12	MUFFLER Cat #: 57A68 Model/Part #: 57A6801	1	DISCHARGE LINE
13	VALVE-SERVICE Cat #: 28G39 Model/Part #: 28G3901	1	"LIQUID LINE,3/8""
14	VALVE-SERVICE Cat #: 46F76 Model/Part #: 46F7601	1	"SUCTION LINE,7/8""
15	DRIER Cat #: 12L71 Model/Part #: 12L7101	1	LIQUID LINE
16	SWITCH-HI PRESS Cat #: 44A97 Model/Part #: 44A9701	1	CUTOUT 410PSIG

<b>Callout</b>	<b>Name</b>	<b>Quantity</b>	<b>Description</b>
17	FAN Cat #: 12F20 Model/Part #: 12F2001	1	"1/2"" BORE,24""DIA,4 BLADES"
18	SHIELD-RAIN Cat #: 32621 Model/Part #: P-8-6142	1	SHIELD, MOTOR
19	MOTOR-FAN Cat #: 65C81 Model/Part #: 65C8101	1	"1/4HP,825RPM,208- 230/60/1"
19	MOTOR-FAN Cat #: 67C02 Model/Part #: 67C0201	1	"1/4HP,825RPM,460/60/1"
20	BRACKET-MTR MTG Cat #: 45F27 Model/Part #: 45F2701	1	MOUNT-MOTOR (63K65 REPLACES)
21	SWITCH-LO PRESS Cat #: 87265 Model/Part #: P-8-10978	1	"IN 55PSIG,OUT 25PSIG (OPTIONAL)"
30	COMPRESSOR Cat #: 78H16 Model/Part #: 42C6901	1	"3-1/2TON,208- 230/60/3,COPE"
30	COMPRESSOR Cat #: 42C70 Model/Part #: 42C7001	1	"3- 1/2TON,460/60/3,COPE"

**Note:**

Note1: SEE EXPANSION VALVE CHART IN CROSS REFERENCE SECTION.