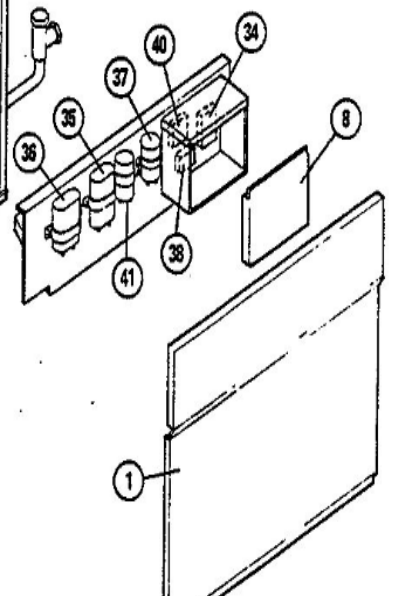
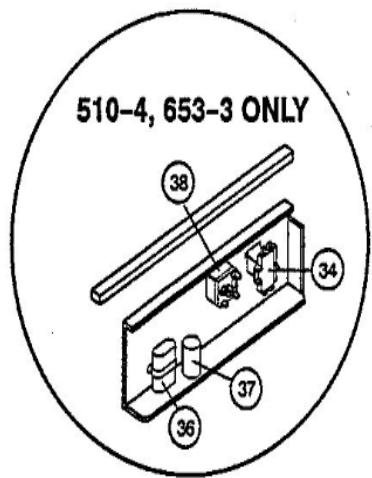
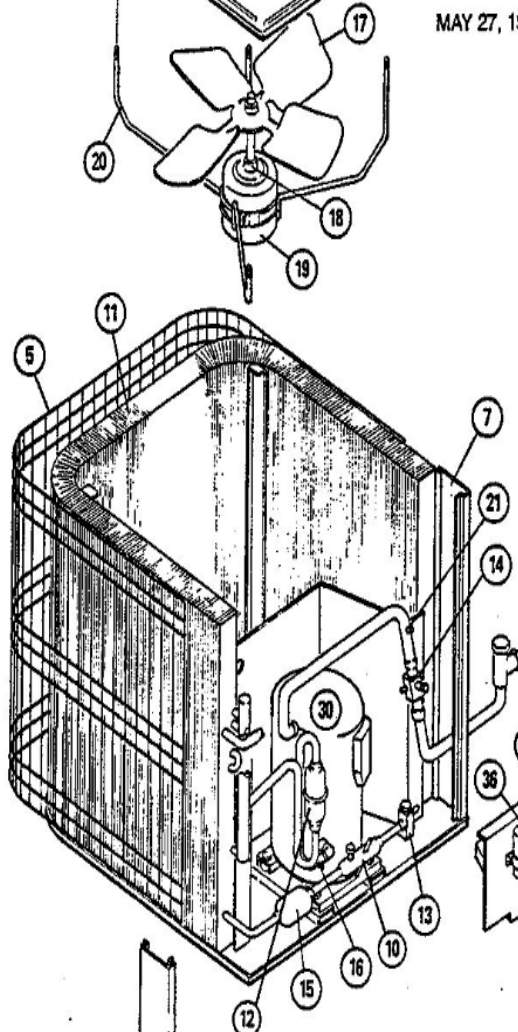


**HS19 SERIES**  
MAY 27, 1992



Revision Number - 3

## \*OPTIONAL PARTS-FIELD INSTALLED

Callout	Name	Quantity	Description
	TEE Cat #: 87071 Model/Part #: P-8-10569	1	SCHRADER DEPRESSOR
	NUT Cat #: 59498 Model/Part #: P-8-1218	2	FLARE
	CAP-SEAL Cat #: 58114 Model/Part #: P-8-3187	1	CAP, BRASS
	FITTING Cat #: 59784 Model/Part #: P-8-4934	1	STRAIN RELIEF
	SWITCH-LO PRESS Cat #: 68493 Model/Part #: P-8-6383	1	"IN 285PSIG,OUT 140PSIG"
HP KIT	LOW AMBIENT KIT Cat #: LB-57113BB Model/Part #: LB-57113BB	1	LOW AMBIENT KIT

## CABINET PARTS

Callout	Name	Quantity	Description
	WRAPPER-COMP Cat #: LB-29098CP Model/Part #: LB-29098CP	1	WRAPPER-COMP
	BASE Cat #: 16J57 Model/Part #: LB-38903BC	1	BASE S/A
	BRACKET Cat #: 23J48 Model/Part #: LB-57953C	2	COIL SUPPORT
1	PANEL Cat #: 96H96 Model/Part #: LB-59022CK	1	ACCESS(LIGHT COLOR)
2	PANEL-TOP Cat #: 55H50 Model/Part #: LB-62529A	1	TOP PANEL (LIGHT COLOR)
3	GRILLE-DISCHARGE Cat #: 47C97 Model/Part #: LB-34250C	1	GRILLE-DISCHARGE
4	NUT Cat #: 73K93 Model/Part #: 73K9301	4	RETAINING-FOR DISCH GRILLE

Callout	Name	Quantity	Description
5	GUARD-OUTDOOR COIL Cat #: 93G06 Model/Part #: 93G0601	1	GUARD-COIL
6	MULLION Cat #: 98H02 Model/Part #: LB-78847	1	LEFT(LIGHT COLOR)
7	POST-CORNER Cat #: 97H00 Model/Part #: LB-78845	1	RIGHT(LIGHT COLOR)
8	COVER-CONTROL BOX Cat #: 63A24 Model/Part #: LB-80652C	1	COVER-BOX

## CONTROL PANEL PARTS

Callout	Name	Quantity	Description
34	CONTACTOR Cat #: 65C69 Model/Part #: 65C6901	1	"SPST,N.O.,24V"
35	CAPACITOR-RUN Cat #: 53H18 Model/Part #: 96C5701	1	"45MFD,440VAC"
36	CAPACITOR-FAN MTR Cat #: 53H02 Model/Part #: 81A3801	1	"5MFD,370VAC"
37	CAPACITOR-START Cat #: 66083 Model/Part #: P-8-1101	1	"135-155MFD,320VAC"
38	RELAY-POTENTIAL Cat #: 38644 Model/Part #: P-8-9774	1	"SPNC,480V"
40	CONTROL-TIMED OFF Cat #: 47J27 Model/Part #: LB-50709BK	1	(OPTIONAL)

## COOLING PARTS

Callout	Name	Quantity	Description
	VALVE-EXPANSION(FOOTNOTE 1) Cat #: Model/Part #:	1	
	DRIER Cat #: 12L75 Model/Part #: 12L7501	1	SUCTION LINE
	GLASS-SIGHT Cat #: 18F64 Model/Part #: 18F6401	1	(OPTIONAL)

<b>Callout</b>	<b>Name</b>	<b>Quantity</b>	<b>Description</b>
	INSERT Cat #: 28C64 Model/Part #: 28C6401	1	(OPTIONAL)
	FERRULE REPL PKG Cat #: 42C39 Model/Part #: 42C3901PR	1	(OPTIONAL)
	FERRULE REPL PKG Cat #: 45C71 Model/Part #: 45C7101PR	1	(OPTIONAL)
	UNION Cat #: 51A69 Model/Part #: 51A6901	1	(OPTIONAL)
	FITTING PRESS TAP Cat #: 86G64 Model/Part #: 86G6401	1	(OPTIONAL)
	KIT-COMPR MTG Cat #: 87F70 Model/Part #: 87F7001PR	1	MOUNT PKG-COMP
	DISTRIBUTOR Cat #: 36A76 Model/Part #: P-8-11102	1	"L/TUBES,DISCHARGE LINE"
	CAP-SEAL Cat #: 66817 Model/Part #: P-8-1401	1	FITTING-PRESSURE TAP
	VALVE CORE Cat #: 66820 Model/Part #: P-8-1897	1	VALVE, CORE
	CAP-SEAL Cat #: 58114 Model/Part #: P-8-3187	1	CAP, BRASS
10	WELL-THERMOMETER Cat #: 25G47 Model/Part #: LB-54392CA	1	THERMOMETER WELL ASY
11	COIL-OUTDOOR Cat #: 92G66 Model/Part #: LB-80733ACJ	1	W/MANIFOLD
12	MUFFLER Cat #: 57A68 Model/Part #: 57A6801	1	DISCHARGE LINE
13	VALVE-SERVICE Cat #: 28G39 Model/Part #: 28G3901	1	"LIQUID LINE,3/8""
14	VALVE-SERVICE Cat #: 46F76 Model/Part #: 46F7601	1	"SUCTION LINE,7/8""
15	DRIER Cat #: 12L71 Model/Part #: 12L7101	1	LIQUID LINE
16	SWITCH-HI PRESS	1	CUTOUT 410PSIG

<b>Callout</b>	<b>Name</b>	<b>Quantity</b>	<b>Description</b>
	Cat #: 44A97 Model/Part #: 44A9701		
17	FAN Cat #: 36G80 Model/Part #: 36G8001	1	"1/2"BORE,24"DIA,3 BLADE"
18	SHIELD-RAIN Cat #: 32621 Model/Part #: P-8-6142	1	SHIELD, MOTOR
19	MOTOR-FAN Cat #: 65C82 Model/Part #: 65C8201	1	"1/6HP,825RPM,208- 230/60/1"
20	BRACKET-MOTOR MTG Cat #: 57C82 Model/Part #: 57C8201	1	MOUNT-MOTOR
21	SWITCH-LO PRESS Cat #: 87265 Model/Part #: P-8-10978	1	"IN 55PSIG,OUT 25PSIG (OPTIONAL)"
30	COMPRESSOR Cat #: 36G59 Model/Part #: 36G5901	1	"3TON,208- 230/60/1,TEC"

**Note:**

Note1: SEE EXPANSION VALVE CHART IN CROSS REFERENCE SECTION.