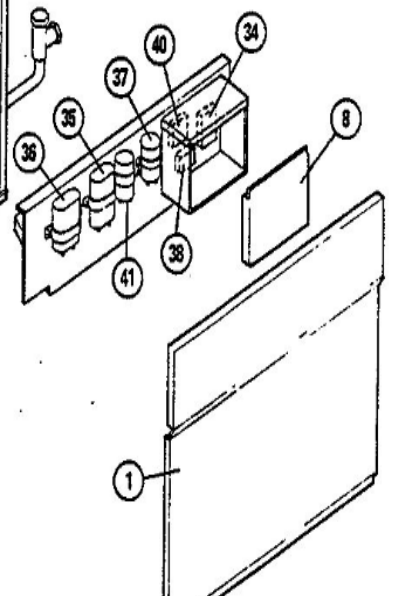
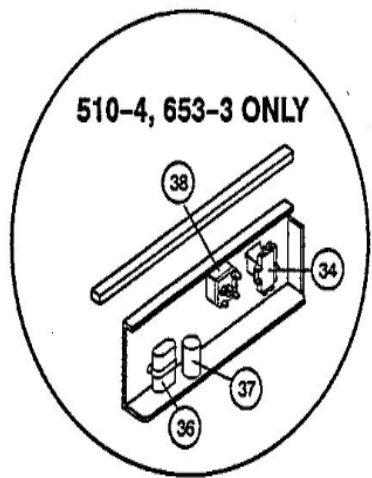
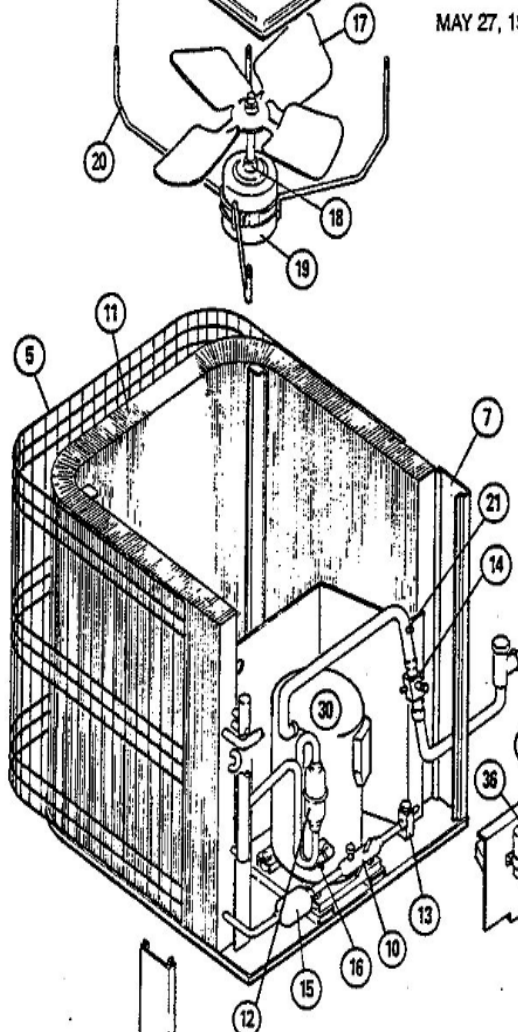


**HS19 SERIES**  
MAY 27, 1992



Revision Number - 5

## \*OPTIONAL PARTS-FIELD INSTALLED

Callout	Name	Quantity	Description
	TEE Cat #: 87071 Model/Part #: P-8-10569	1	SCHRADER DEPRESSOR
	NUT Cat #: 59498 Model/Part #: P-8-1218	2	FLARE
	CAP-SEAL Cat #: 58114 Model/Part #: P-8-3187	1	CAP, BRASS
	FITTING Cat #: 59784 Model/Part #: P-8-4934	1	STRAIN RELIEF
	SWITCH-LO PRESS Cat #: 68493 Model/Part #: P-8-6383	1	"IN 285PSIG,OUT 140PSIG"
HP KIT	LOW AMBIENT KIT Cat #: LB-57113BB Model/Part #: LB-57113BB	1	LOW AMBIENT KIT

## CABINET PARTS

Callout	Name	Quantity	Description
	WRAPPER-COMP Cat #: LB-29098CP Model/Part #: LB-29098CP	1	WRAPPER-COMP
	BASE Cat #: 16J57 Model/Part #: LB-38903BC	1	BASE S/A
	BRACKET Cat #: 23J48 Model/Part #: LB-57953C	2	COIL SUPPORT
1	PANEL Cat #: 96H96 Model/Part #: LB-59022CK	1	ACCESS(LIGHT COLOR)
2	PANEL-TOP Cat #: 55H50 Model/Part #: LB-62529A	1	TOP PANEL (LIGHT COLOR)
3	GRILLE-DISCHARGE Cat #: 77H40 Model/Part #: LB-83350	1	GRILLE
4	NUT Cat #: 73K93 Model/Part #: 73K9301	4	RETAINING-FOR DISCH GRILLE

Callout	Name	Quantity	Description
5	GUARD-OUTDOOR COIL Cat #: 97G24 Model/Part #: LB-81122C	1	GUARD-OUTDOOR COIL
6	MULLION Cat #: 98H02 Model/Part #: LB-78847	1	LEFT(LIGHT COLOR)
7	POST-CORNER Cat #: 97H00 Model/Part #: LB-78845	1	RIGHT(LIGHT COLOR)
8	COVER-CONTROL BOX Cat #: 63A24 Model/Part #: LB-80652C	1	COVER-BOX

## CONTROL PANEL PARTS

Callout	Name	Quantity	Description
34	CONTACTOR Cat #: 65C69 Model/Part #: 65C6901	1	"SPST,N.O.,24V"
35	CAPACITOR-RUN Cat #: 53H16 Model/Part #: 96C4701	1	"35MFD,370VAC"
36	CAPACITOR-FAN MTR Cat #: 53H02 Model/Part #: 81A3801	1	"5MFD,370VAC"
37	CAPACITOR-START Cat #: 44A93 Model/Part #: 44A9301	1	"145-175MFD,330VAC"
38	RELAY POTENTIAL Cat #: 10B17 Model/Part #: 10B1701	1	"SPNC,480V"
40	CONTROL-TIMED OFF Cat #: 47J27 Model/Part #: LB-50709BK	1	(OPTIONAL)

## COOLING PARTS

Callout	Name	Quantity	Description
	RELAY-OVERLOADCOMP-INTERNAL Cat #: Model/Part #:	1	
	GLASS-SIGHT Cat #: 18F64 Model/Part #: 18F6401	1	(OPTIONAL)
	INSERT Cat #: 28C65 Model/Part #: 28C6501	1	(OPTIONAL)

<b>Callout</b>	<b>Name</b>	<b>Quantity</b>	<b>Description</b>
	FERRULE REPL PKG Cat #: 42C38 Model/Part #: 42C3801PR	1	(OPTIONAL)
	FERRULE REPL PKG Cat #: 45C71 Model/Part #: 45C7101PR	1	(OPTIONAL)
	UNION Cat #: 51A69 Model/Part #: 51A6901	1	(OPTIONAL)
	UNION Cat #: 51A70 Model/Part #: 51A7001	1	(OPTIONAL)
	DRIER Cat #: 63C98 Model/Part #: 63C9801	1	SUCTION LINE
	FITTING PRESS TAP Cat #: 86G64 Model/Part #: 86G6401	1	(OPTIONAL)
	KIT-COMPR MTG Cat #: 87F70 Model/Part #: 87F7001PR	1	MOUNT PKG-COMP
	DISTRIBUTOR Cat #: 87258 Model/Part #: P-8-10820	1	"L/TUBES,DISCHARGE LINE"
10	WELL-THERMOMETER Cat #: 25G47 Model/Part #: LB-54392CA	1	THERMOMETER WELL ASY
11	COIL-OUTDOOR Cat #: 92G68 Model/Part #: LB-80733ACL	1	W/MANIFOLD
12	MUFFLER Cat #: 18F47 Model/Part #: 18F4701	1	DISCHARGE LINE
13	VALVE-BRASS Cat #: 54G97 Model/Part #: 54G9701	1	"LIQUID LINE,3/8""
14	VALVE-SERVICE Cat #: 72H91 Model/Part #: 72H9101	1	"SUCTION LINE,3/4""
15	DRIER Cat #: 12L71 Model/Part #: 12L7101	1	LIQUID LINE
16	SWITCH-HI PRESS Cat #: 44A97 Model/Part #: 44A9701	1	CUTOUT 410 PSIG
17	FAN Cat #: 36G80 Model/Part #: 36G8001	1	"1/2"" BORE,24""DIA,3 BLADES"

<b>Callout</b>	<b>Name</b>	<b>Quantity</b>	<b>Description</b>
18	SHIELD-RAIN Cat #: 32621 Model/Part #: P-8-6142	1	SHIELD, MOTOR
19	MOTOR-FAN Cat #: 65C82 Model/Part #: 65C8201	1	"1/6HP,825RPM,208-230/60/1"
20	BRACKET-MOTOR MTG Cat #: 57C82 Model/Part #: 57C8201	1	MOUNT-MOTOR
21	SWITCH-LO PRESS Cat #: 87265 Model/Part #: P-8-10978	1	"IN 55PSIG,OUT 25PSIG (OPTIONAL)"
30	COMPRESSOR Cat #: 63K71 Model/Part #: 65G5501	1	"2TON,208-230/60/1,BRISTOL"

**Note:**

Note1: SEE EXPANSION VALVE CHART IN CROSS REFERENCE SECTION.