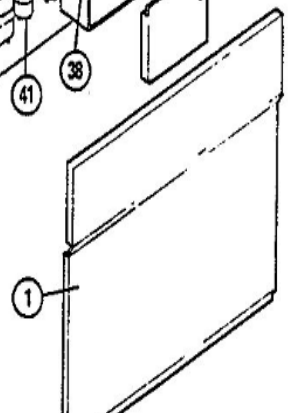
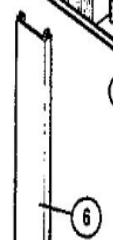
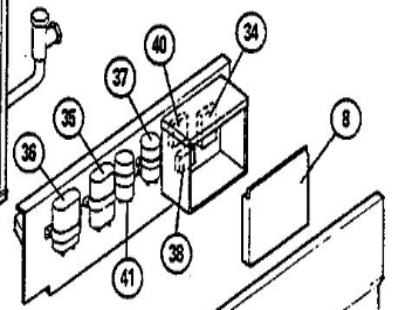
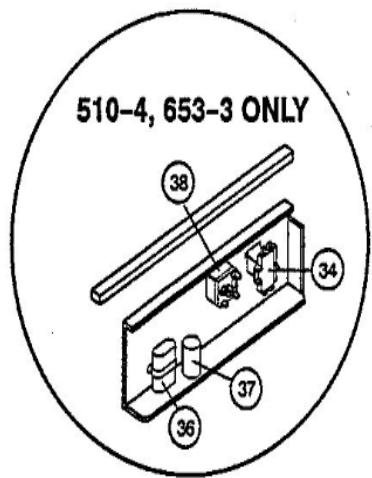
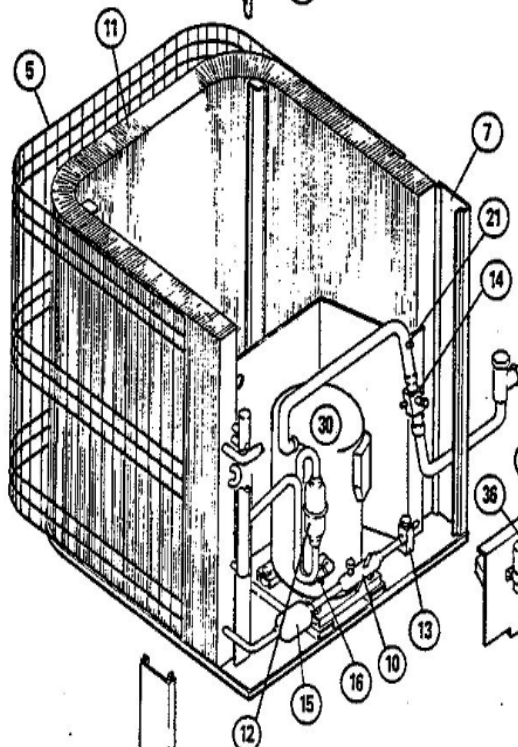


**HS19 SERIES**  
MAY 27, 1992



Revision Number - 1

## \*OPTIONAL PARTS-FIELD INSTALLED

Callout	Name	Quantity	Description
	TEE Cat #: 87071 Model/Part #: P-8-10569	1	SCHRADER DEPRESSOR
	NUT Cat #: 59498 Model/Part #: P-8-1218	2	FLARE
	CAP-SEAL Cat #: 58114 Model/Part #: P-8-3187	1	CAP, BRASS (FOR HP KIT)
	FITTING Cat #: 59784 Model/Part #: P-8-4934	1	STRAIN RELIEF
	SWITCH-LO PRESS Cat #: 68493 Model/Part #: P-8-6383	1	"IN 285PSIG,OUT 140PSIG"
HP KIT	LOW AMBIENT KIT Cat #: LB-57113BB Model/Part #: LB-57113BB	1	LOW AMBIENT KIT

## CABINET PARTS

Callout	Name	Quantity	Description
	WRAPPER-COMP Cat #: 70G98 Model/Part #: LB-29098CH	1	WRAP-COMP
	BRACKET Cat #: LB-38797C Model/Part #: LB-38797C	2	COIL SUPPORT
1	PANEL Cat #: 42A05 Model/Part #: LB-80781BA	1	ACCESS (DARK COLOR)
2	PANEL-TOP Cat #: 88A24 Model/Part #: LB-32467A	1	PANEL-TOP (DARKCOLOR)
3	GRILLE-DISCHARGE Cat #: 88A22 Model/Part #: LB-32598B	1	GRILLE, DISCHARGE
4	NUT Cat #: 73K93 Model/Part #: 73K9301	4	RETAINING-FOR DISCH GRILLE
5	GUARD-OUTDOOR COIL Cat #: LB-80784C Model/Part #: LB-80784C	1	GUARD-OUTDOOR COIL

Callout	Name	Quantity	Description
6	POST-CORNER Cat #: 36A55 Model/Part #: LB-80236C	1	LEFT (DARK COLOR)
7	POST-CORNER Cat #: 96C13 Model/Part #: LB-38486C	1	RIGHT (DARK COLOR)
8	COVER-CONTROL BOX Cat #: 63A24 Model/Part #: LB-80652C	1	COVER-BOX

## CONTROL PANEL PARTS

Callout	Name	Quantity	Description
34	CONTACTOR Cat #: 65C69 Model/Part #: 65C6901	1	"SPST,N.O.,24V"
35	CAPACITOR-RUN Cat #: 53H08 Model/Part #: 96C4501	1	"25MFD,370VAC"
36	CAPACITOR-FAN MTR Cat #: 53H02 Model/Part #: 81A3801	1	"5MFD,370VAC"
37	CAPACITOR-START Cat #: 44A93 Model/Part #: 44A9301	1	"145- 175MFD,330VAC"
38	RELAY POTENTIAL Cat #: 10B17 Model/Part #: 10B1701	1	"SPNC,480V"
40	CONTROL-TIMED OFF Cat #: 47J27 Model/Part #: LB-50709BK	1	(OPTIONAL)

## COOLING PARTS

Callout	Name	Quantity	Description
	VALVE-EXPANSION(FOOTNOTE 1) Cat #: Model/Part #:	1	
	O-RING Cat #: 13B49 Model/Part #: 13B4901PR	1	FOR SERVICE VALVES ON LIQUID AND SUCTION
	FERRULE REPL PKG Cat #: 42C38 Model/Part #: 42C3801PR	1	"FOR 3/4"" SERVICE VALVE"
	FERRULE REPL PKG	1	"FOR 3/8"" SERVICE

Callout	Name	Quantity	Description
	Cat #: 45C71 Model/Part #: 45C7101PR		VALVE"
	DRIER Cat #: 63C98 Model/Part #: 63C9801	1	SUCTION LINE
	FITTING PRESS TAP Cat #: 86G64 Model/Part #: 86G6401	1	FITTING, PRESSURE TAP
	DISTRIBUTOR Cat #: 87258 Model/Part #: P-8-10820	1	"L/TUBES,DISCHARGE LINE"
	VALVE CORE Cat #: 66820 Model/Part #: P-8-1897	3	VALVE, CORE 8075910047
	CAP-SEAL Cat #: 58114 Model/Part #: P-8-3187	3	CAP, BRASS
	MOUNT PKG-COMP Cat #: 69220 Model/Part #: PR-318	1	MOUNT PKG-COMP
11	COIL-OUTDOOR Cat #: 32G76 Model/Part #: LB-80733ABB	1	W/MANIFOLD
12	MUFFLER Cat #: 18F47 Model/Part #: 18F4701	1	DISCHARGE LINE
13	VALVE-SERVICE Cat #: 64C67 Model/Part #: 64C6701	1	"LIQUID LINE,3/8""
14	VALVE-SERVICE Cat #: 68A42 Model/Part #: 68A4201	1	"SUCTION LINE,3/4""
15	DRIER Cat #: 69H06 Model/Part #: 69H0601	1	LIQUID LINE
16	SWITCH-HI PRESS Cat #: 44A97 Model/Part #: 44A9701	1	CUTOUT 410PSIG
17	FAN Cat #: 36A74 Model/Part #: P-8-11098	1	"1/2"" BORE,20""DIA,4 BLADES"
18	SHIELD-RAIN Cat #: 32621 Model/Part #: P-8-6142	1	SHIELD, MOTOR
19	MOTOR-FAN Cat #: 65C82 Model/Part #: 65C8201	1	"1/6HP,825RPM,208- 230/60/1"
20	BRACKET-MTR MTG	1	MOUNT-MOTOR-

<b>Callout</b>	<b>Name</b>	<b>Quantity</b>	<b>Description</b>
	Cat #: 66A01 Model/Part #: 66A0101		WIRE
21	SWITCH-LO PRESS Cat #: 87265 Model/Part #: P-8-10978	1	"IN 55PSIG,OUT 25PSIG (OPTIONAL)"
30	COMPRESSOR Cat #: 24G17 Model/Part #: 24G1701	1	"1-1/2TON,208- 230/60/1,COPE"

**Note:**

Note1: SEE EXPANSION VALVE CHART IN CROSS REFERENCE SECTION.