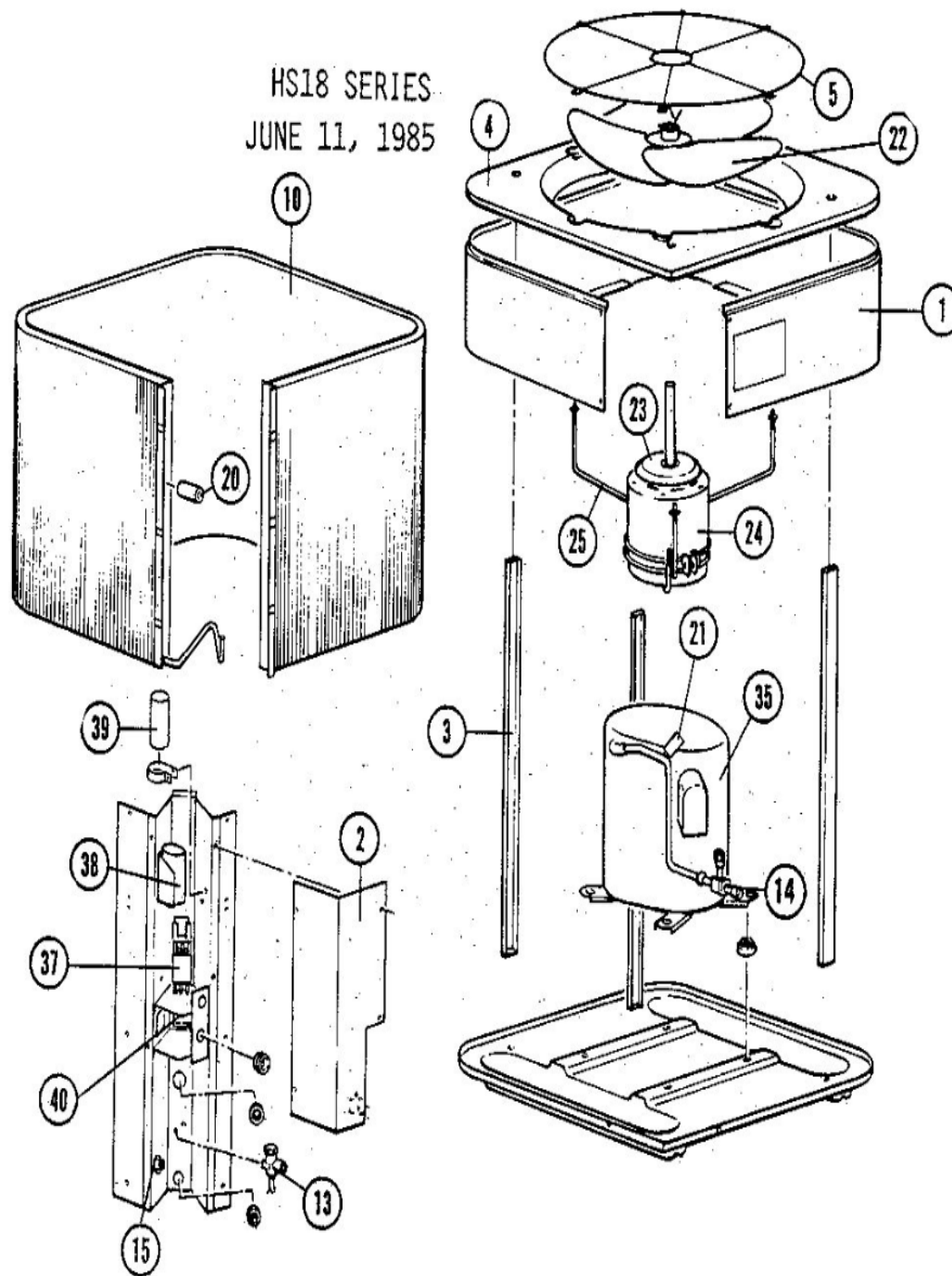
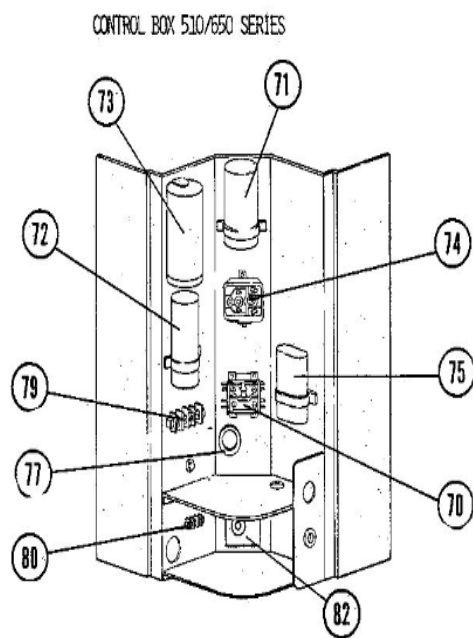
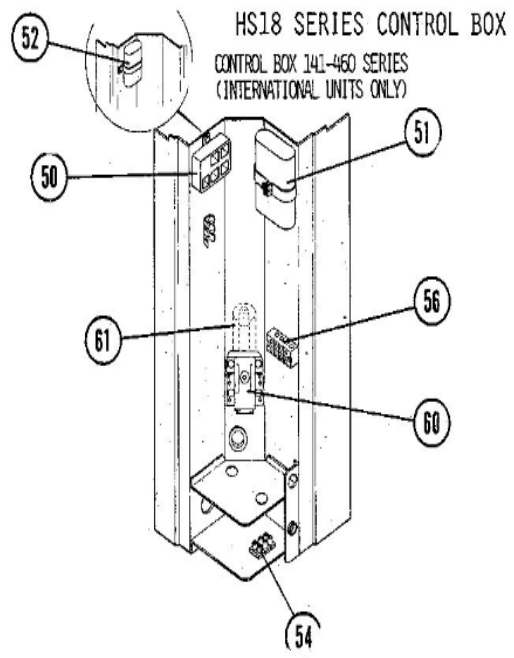


HS18 SERIES  
JUNE 11, 1985





Revision Number - 5

## \*OPTIONAL PARTS-FIELD INSTALLED

Callout	Name	Quantity	Description
	TEE Cat #: 87071 Model/Part #: P-8-10569	1	SCHRADER DEPRESSOR
	NUT Cat #: 59498 Model/Part #: P-8-1218	2	FLARE
	CAP-SEAL Cat #: 58114 Model/Part #: P-8-3187	1	CAP, BRASS
	FITTING Cat #: 59784 Model/Part #: P-8-4934	1	STRAIN RELIEF
	SWITCH-LO PRESS Cat #: 68493 Model/Part #: P-8-6383	1	"IN 285PSIG,OUT 140PSIG"
LB KIT	LOW AMBIENT KIT Cat #: 24H77 Model/Part #: LB-57113BC	1	LOW AMBIENT KIT

## CABINET PARTS

Callout	Name	Quantity	Description
	COVER Cat #: 44H69 Model/Part #: LB-76505BC	1	SOUND- COMPRESSOR
2	COVER-CONTROL BOX Cat #: 86F54 Model/Part #: LB-50897B	1	CONT BOX COVER
3	SUPPORT-COIL Cat #: 32G95 Model/Part #: LB-50889C	3	COIL SUPT
4	PANEL-TOP Cat #: 74F64 Model/Part #: LB-50901A	1	(LIGHT)
4	PANEL-TOP Cat #: 51J43 Model/Part #: LB-85798	1	(DARK)
5	GUARD-FAN Cat #: 40F06 Model/Part #: 40F0601	1	GUARD-FAN
6	GUARD-OUTDOOR COIL Cat #: 40F07 Model/Part #: 40F0701	1	GUARD-COIL

**CONTROL PANEL PARTS**

<b>Callout</b>	<b>Name</b>	<b>Quantity</b>	<b>Description</b>
	BUSHING-SNAP Cat #: 86065 Model/Part #: P-8-7102	1	"1/2""ID FOR 7/8"" OPENING"
70	CONTACTOR Cat #: 38393 Model/Part #: P-8-7736	1	3PDT, 24V
75	CAPACITOR Cat #: 81A39 Model/Part #: 81A3901	1	"7MFD,370VAC"
77	BUSHING Cat #: 76724 Model/Part #: P-8-8666	1	"1-3/8""ID FOR 1- 3/4"" OPENING"
82	CONTROL-TIMED OFF Cat #: 76F94 Model/Part #: LB-51429BA	1	(OPTIONAL)

**COOLING PARTS**

<b>Callout</b>	<b>Name</b>	<b>Quantity</b>	<b>Description</b>
	HEATER-CRANKCASECOMP- INTERNAL(FOOTNOTE 2 Cat #: Model/Part #:	1	
	DRIER Cat #: 12L71 Model/Part #: 12L7101	1	LIQUID LINE
	DRIER Cat #: 12L75 Model/Part #: 12L7501	1	SUCTION LINE
	O-RING Cat #: 13B49 Model/Part #: 13B4901PR	1	"FOR 3/8"" SERVICE VALVE"
	CAP Cat #: 18G80 Model/Part #: 18G8001	1	END-FOR SERVICE VALVE
	RESTRICTOR-ORIFICE Cat #: 47F60 Model/Part #: 47F6001	1	RESTRICTOR
	BUSHING-SNAP Cat #: 62A32 Model/Part #: 62A3201	1	"1""ID FOR 1-3/8"" OPENING"
	KIT-COMPR MTG Cat #: 87F70 Model/Part #: 87F7001PR	1	MOUNT PKG-COMP

<b>Callout</b>	<b>Name</b>	<b>Quantity</b>	<b>Description</b>
	GROMMET Cat #: LB-51460DA Model/Part #: LB-51460DA	1	KIT-FOR COMP SOUND REDUCTION
	DISTRIBUTOR Cat #: 36A76 Model/Part #: P-8-11102	1	DISCHARGE LINE
	CAP-SEAL Cat #: 66817 Model/Part #: P-8-1401	1	FOR HI PRESS SWITCH
	VALVE CORE Cat #: 66820 Model/Part #: P-8-1897	2	"FOR 3/8"" SERVICE VALVE"
	CAP-SEAL Cat #: 58114 Model/Part #: P-8-3187	1	SUCTION LINE(FOR LB-31003D)
	GROMMET Cat #: 66287 Model/Part #: P-8-526	1	"3/8""ID FOR 5/8"" OPENING"
10	COIL-OUTDOOR Cat #: 63G39 Model/Part #: LB-49573AAC	1	COIL-OUTDOOR
13	VALVE-SERVICE Cat #: 64C67 Model/Part #: 64C6701	1	"LIQUID LINE,3/8"
14	VALVE-SERVICE Cat #: 46F76 Model/Part #: 46F7601	1	"SUCTION LINE,7/8"""
15	FITTING-PRESS TAP Cat #: 63F11 Model/Part #: LB-31003D	1	SUCTION LINE
20	SWITCH-HI PRESS Cat #: 44A97 Model/Part #: 96C2001	1	CUTOUT 410PSIG
21	SWITCH-LO PRESS Cat #: 87265 Model/Part #: P-8-10978	1	IN 55PSIG, OUT 25PSIG
22	FAN Cat #: 45F58 Model/Part #: 45F5801	1	"1/2""BORE,22""DIA,4 BLADE"
23	SHIELD-RAIN Cat #: 32621 Model/Part #: P-8-6142	1	SHIELD, MOTOR
24	MOTOR-FAN Cat #: 26C23 Model/Part #: 23C5901	1	"1/3HP,1075RPM,460/60/1"
24	MOTOR-FAN Cat #: 36A75 Model/Part #: 90A0801	1	"1/3HP,1075RPM,208-230/60/1"

<b>Callout</b>	<b>Name</b>	<b>Quantity</b>	<b>Description</b>
25	MOUNT-MOTOR Cat #: 40F08 Model/Part #: 40F0801	1	MOUNT-MOTOR
35	COMPRESSOR Cat #: 43G86 Model/Part #: 43G8601	1	"4TON,460/60/3,TEC"
35	COMPRESSOR Cat #: 43G87 Model/Part #: 43G8701	1	4TON,200-230/60/3,COPE

**Note:**

Note1: SEE EXPANSION CHART ON CRL CARD. Note2: SEE FIELD REPLACEMENT CRANKCASE HEATER CHART ON CRL CARD.