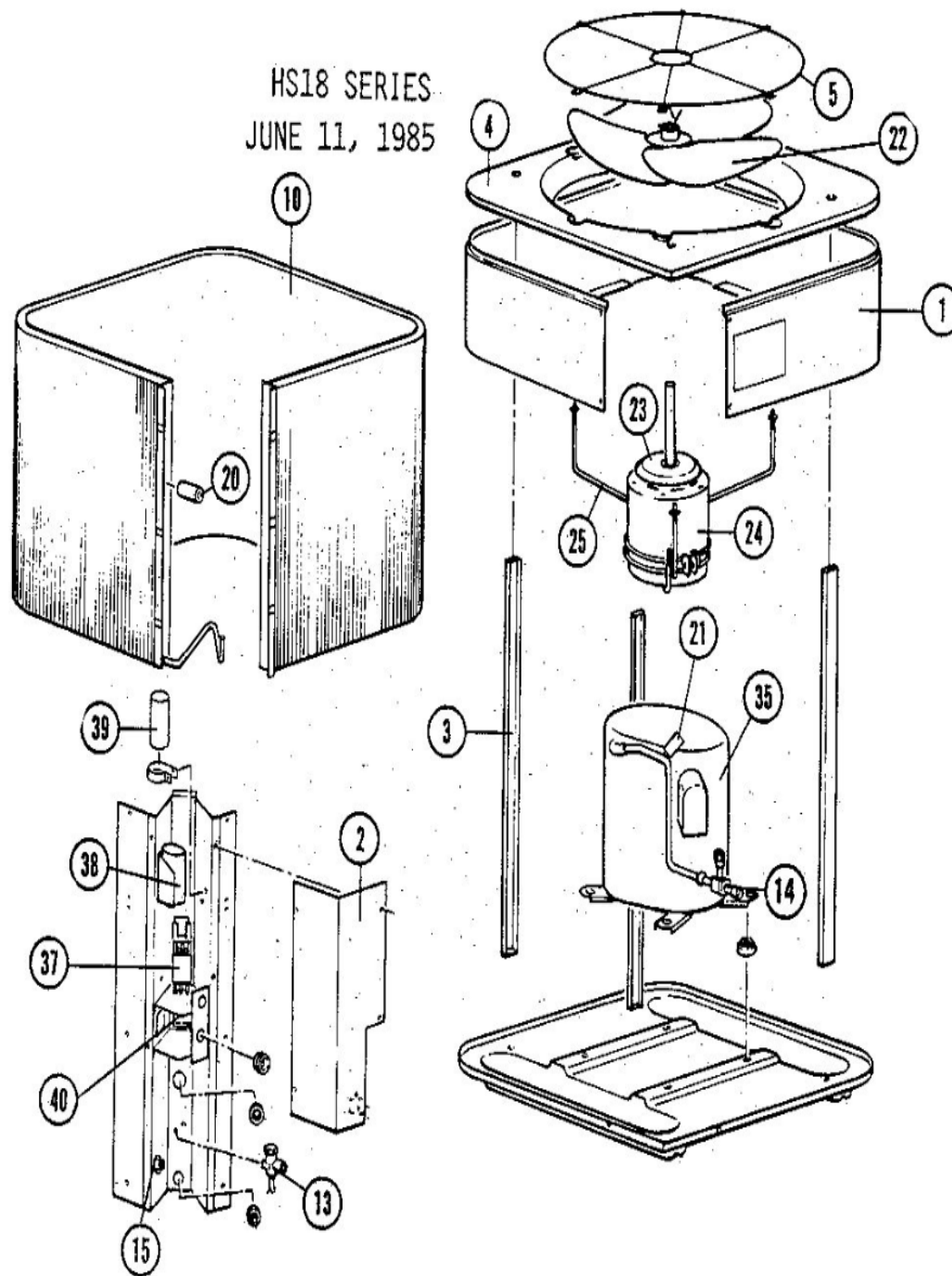
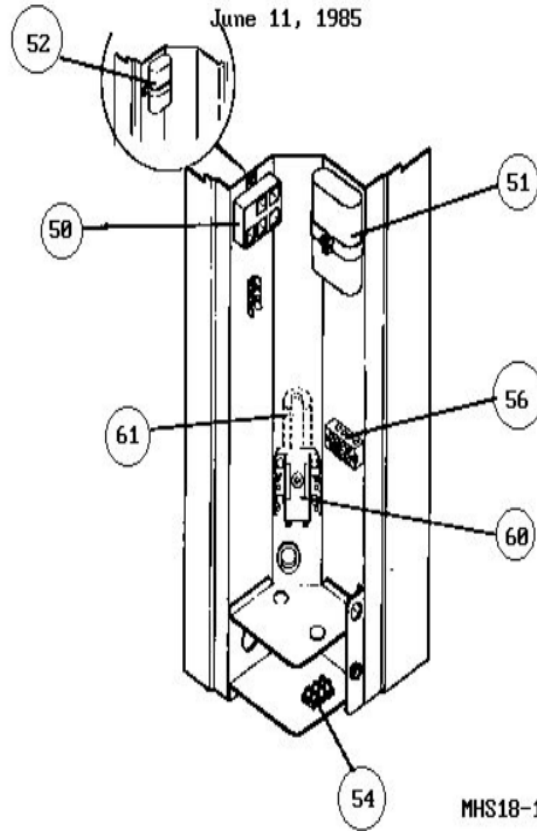


HS18 SERIES
JUNE 11, 1985



HS18-141-460 Control Box

International
June 11, 1985



Revision Number - 4

*OPTIONAL PARTS-FIELD INSTALLED

Callout	Name	Quantity	Description
	TEE Cat #: 87071 Model/Part #: P-8-10569	1	SCHRADER DEPRESSOR
	NUT Cat #: 59498 Model/Part #: P-8-1218	2	FLARE
	CAP-SEAL Cat #: 58114 Model/Part #: P-8-3187	1	CAP, BRASS
	FITTING Cat #: 59784 Model/Part #: P-8-4934	1	STRAIN RELIEF
	SWITCH-LO PRESS Cat #: 68493 Model/Part #: P-8-6383	1	"IN 285PSIG,OUT 140PSIG"
LB KIT	LOW AMBIENT KIT Cat #: 24H77 Model/Part #: LB-57113BC	1	LOW AMBIENT KIT

CABINET PARTS

Callout	Name	Quantity	Description
	GUARD-OUTDOOR COIL Cat #: 25F00 Model/Part #: 25F0001	1	GUARD-COND COIL FLAT
1	PANEL Cat #: 83F46 Model/Part #: LB-51049A	1	TOP WRAPPER(LIGHT)
1	PANEL Cat #: 51J51 Model/Part #: LB-85799	1	TOP WRAPPER(DARK)
2	COVER-CONTROL BOX Cat #: 88F08 Model/Part #: LB-50738C	1	COVER CONTROL BOX
3	SUPPORT-COIL Cat #: 13G26 Model/Part #: LB-48471C	3	SUPT-COIL
4	PANEL-TOP Cat #: 66F77 Model/Part #: LB-51050A	1	(LIGHT)
4	PANEL-TOP Cat #: 51J42 Model/Part #: LB-85797	1	(DARK)

Callout	Name	Quantity	Description
5	GUARD-FAN Cat #: 96C33 Model/Part #: 96C3301	1	GRILL

CONTROL PANEL PARTS

Callout	Name	Quantity	Description
	CAPACITOR-START Cat #: 66083 Model/Part #: P-8-1101	1	"155MFD,320VAC"
	RELAY-POTENTIAL Cat #: 66463 Model/Part #: P-8-1617	1	"SP,N.C.,480V"
	BUSHING-SNAP Cat #: 86065 Model/Part #: P-8-7102	1	"1/2""ID FOR 7/8"" OPENING"
37	CONTACTOR Cat #: 38393 Model/Part #: P-8-7736	1	"3PDT,24V(3PH UNITS)"
38	CAPACITOR-FAN MTR Cat #: 53H02 Model/Part #: 81A3801	1	"5MFD,370VAC(3PH UNITS)"
40	CONTROL-TIMED OFF Cat #: 32F21 Model/Part #: LB-50709BA	1	(OPTIONAL)

COOLING PARTS

Callout	Name	Quantity	Description
	VALVE-EXPANSION(FOOTNOTE 1) Cat #: Model/Part #:	1	
	DRIER Cat #: 12L71 Model/Part #: 12L7101	1	LIQUID LINE(OPT)
	DRIER Cat #: 12L75 Model/Part #: 12L7501	1	SUCTION LINE
	O-RING Cat #: 13B49 Model/Part #: 13B4901PR	1	"FOR 3/8"" SERVICE VALVE"
	CAP Cat #: 18G80 Model/Part #: 18G8001	1	END-FOR SERVICE VALVE
	INSERT Cat #: 28C64 Model/Part #: 28C6401	1	(OPTIONAL)

Callout	Name	Quantity	Description
	UNION Cat #: 37A89 Model/Part #: 37A8901	1	(OPTIONAL)
	FERRULE REPL PKG Cat #: 42C39 Model/Part #: 42C3901PR	1	(OPTIONAL)
	FERRULE REPL PKG Cat #: 45C71 Model/Part #: 45C7101PR	1	(OPTIONAL)
	UNION Cat #: 51A69 Model/Part #: 51A6901	1	(OPTIONAL)
	FITTING-PRESS TAP Cat #: 60F11 Model/Part #: 60F1101	1	FOR PRESSURE SWITCH
	BUSHING-SNAP Cat #: 62A32 Model/Part #: 62A3201	1	"1"ID FOR 1-3/8" OPENING"
	MOUNT-PKG-COMP Cat #: 94H81 Model/Part #: 94H8101PR	1	MOUNT PKG-COMP
	GROMMET Cat #: LB-51460DA Model/Part #: LB-51460DA	1	KIT-FOR COMP SOUND REDUCTION
	DISTRIBUTOR Cat #: 87266 Model/Part #: P-8-10979	1	DISCHARGE LINE
	RESTRICTOR-ORIFICE Cat #: 40A82 Model/Part #: P-8-11322	1	ORIFICE
	VALVE CORE Cat #: 66820 Model/Part #: P-8-1897	1	"FOR 3/8" SERVICE VALVE"
	CAP-SEAL Cat #: 58114 Model/Part #: P-8-3187	1	"FOR 3/8" SERVICE VALVE"
10	COIL-OUTDOOR Cat #: 63G36 Model/Part #: LB-49573AY	1	COIL S.A.
13	VALVE-SERVICE Cat #: 50F72 Model/Part #: 50F7201	1	"LIQUID LINE,3/8"(OPTIONAL)"
13	VALVE-SERVICE Cat #: 64C67 Model/Part #: 64C6701	1	"LIQUID LINE,3/8"
14	VALVE-SERVICE Cat #: 46F76 Model/Part #: 46F7601	1	"SUCTION LINE,7/8""

Callout	Name	Quantity	Description
20	SWITCH-HI PRESS Cat #: 44A97 Model/Part #: 96C2001	1	CUTOUT 410PSIG(OPTIONAL)
21	SWITCH-LO PRESS Cat #: 87265 Model/Part #: P-8-10978	1	"CUTIN 55PSIG,CUTOUT 25PSIG (OPTIONAL)"
22	FAN Cat #: 95C59 Model/Part #: 95C5901	1	"1/2"" BORE,18"" DIA,4 BLADE"
23	SHIELD-RAIN Cat #: 32621 Model/Part #: P-8-6142	1	SHIELD, MOTOR
24	MOTOR-FAN Cat #: 47F99 Model/Part #: 47F9901	1	MOTOR
25	BRACKET-MTR MTG Cat #: 96C31 Model/Part #: 96C3101	1	MOUNT-MOTOR
35	COMPRESSOR Cat #: 46F98 Model/Part #: 46F9801	1	"3-1/2 TON,200- 230/60/3,TEC"

Note:

Note1: SEE EXPANSION VALVE CHART IN CROSS REFERENCE SECTION. Note2: SEE FIELD REPLACEMENT CRANKCASE HEATER CHART ON CRL CARD.