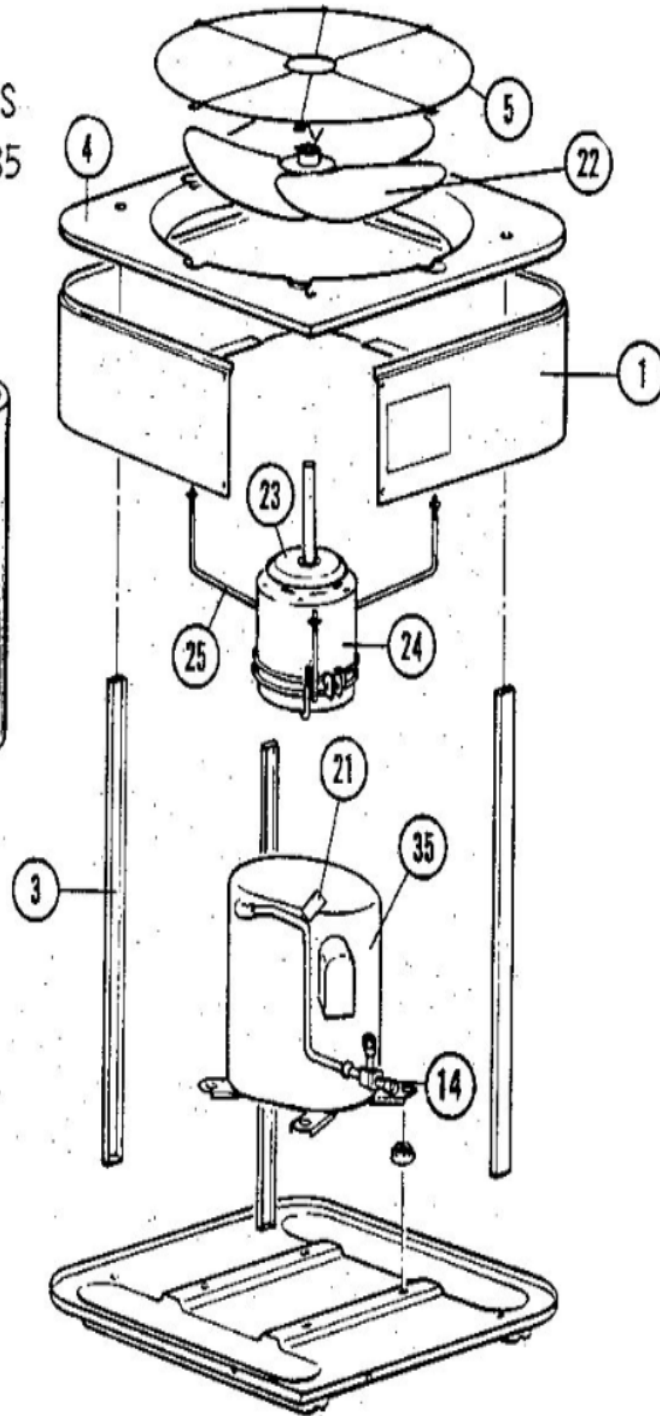
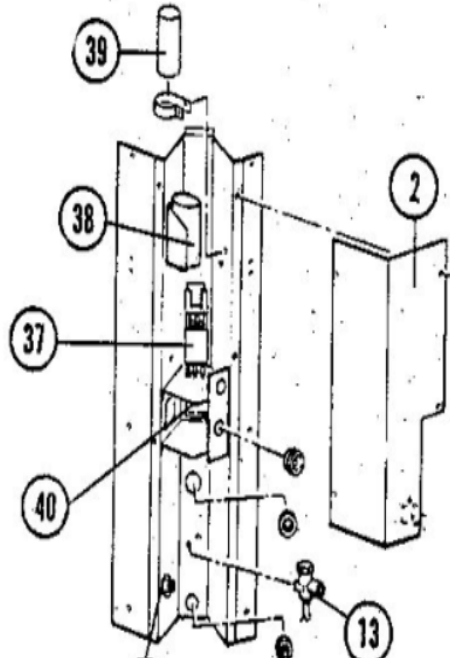
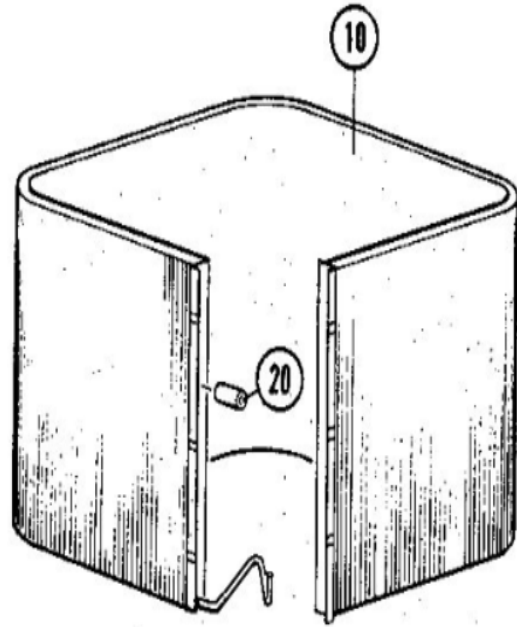


HS18 SERIES
JUNE 11, 1985



Revision Number - 5

*OPTIONAL PARTS-FIELD INSTALLED

| Callout | Name | Quantity | Description |
|---------|----------------------------------------------------------|----------|-----------------------------|
| | TEE Cat #: 87071 Model/Part #: P-8-10569 | 1 | SCHRADER DEPRESSOR |
| | NUT Cat #: 59498 Model/Part #: P-8-1218 | 2 | FLARE |
| | CAP-SEAL Cat #: 58114 Model/Part #: P-8-3187 | 1 | CAP, BRASS |
| | FITTING Cat #: 59784 Model/Part #: P-8-4934 | 1 | STRAIN RELIEF |
| | SWITCH-LO PRESS Cat #: 68493 Model/Part #: P-8-6383 | 1 | "IN 285PSIG,OUT 140PSIG" |
| LB KIT | LOW AMBIENT KIT Cat #: 24H77 Model/Part #: LB-57113BC | 1 | LOW AMBIENT KIT |

CABINET PARTS

| Callout | Name | Quantity | Description |
|---------|-----------------------------------------------------------|----------|----------------------------|
| | GUARD-OUTDOOR COIL Cat #: 25F00 Model/Part #: 25F0001 | 1 | GUARD-COND COIL FLAT |
| 1 | PANEL Cat #: 83F46 Model/Part #: LB-51049A | 1 | TOP WRAPPER(LIGHT) |
| 1 | PANEL Cat #: 51J51 Model/Part #: LB-85799 | 1 | TOP WRAPPER(DARK) |
| 2 | COVER-CONTROL BOX Cat #: 88F08 Model/Part #: LB-50738C | 1 | (3PH-60HZ & INTL UNITS) |
| 3 | SUPPORT-COIL Cat #: 13G26 Model/Part #: LB-48471C | 3 | SUPT-COIL |
| 4 | PANEL-TOP Cat #: 66F77 Model/Part #: LB-51050A | 1 | (LIGHT) |
| 4 | PANEL-TOP Cat #: 51J42 Model/Part #: LB-85797 | 1 | (DARK) |

| Callout | Name | Quantity | Description |
|---------|-------------------------------------------------|----------|-------------|
| 5 | GUARD-FAN Cat #: 96C33 Model/Part #: 96C3301 | 1 | GRILL |

CONTROL PANEL PARTS

| Callout | Name | Quantity | Description |
|---------|------------------------------------------------------------|----------|----------------------------------|
| | RELAY POTENTIAL Cat #: 10B17 Model/Part #: 10B1701 | 1 | "SP,N.C.,480V" |
| | CAPACITOR-START Cat #: 63A06 Model/Part #: 63A0601 | 1 | "216MFD,320VAC" |
| | BUSHING-SNAP Cat #: 86065 Model/Part #: P-8-7102 | 1 | "1/2""ID FOR 7/8"" OPENING" |
| 37 | CONTACTOR Cat #: 38393 Model/Part #: P-8-7736 | 1 | "3PDT,24V(3PH UNITS)" |
| 38 | CAPACITOR-FAN&RUN Cat #: 46F45 Model/Part #: 46F4501 | 1 | "40+5MFD,370VAC" |
| 38 | CAPACITOR-FAN MTR Cat #: 53H02 Model/Part #: 81A3801 | 1 | "5MFD,370VAC(3PH UNITS)" |
| 38 | CAPACITOR Cat #: 81A39 Model/Part #: 81A3901 | 1 | "7MFD,370VAC(460V,3PH UNITS)" |
| 40 | CONTROL-TIMED OFF Cat #: 32F21 Model/Part #: LB-50709BA | 1 | (OPTIONAL) |

COOLING PARTS

| Callout | Name | Quantity | Description |
|---------|-----------------------------------------------------|----------|------------------------------|
| | VALVE-EXPANSION(FOOTNOTE 1) Cat #: Model/Part #: | 1 | |
| | DRIER Cat #: 12L71 Model/Part #: 12L7101 | 1 | LIQUID LINE(OPT) |
| | O-RING Cat #: 13B49 Model/Part #: 13B4901PR | 1 | "FOR 3/8"" SERVICE VALVE" |
| | CAP Cat #: 18G79 Model/Part #: 18G7901 | 1 | END-FOR SERVICE VALVE |

| Callout | Name | Quantity | Description |
|----------------|----------------------------------------------------------|-----------------|---------------------------------------|
| | RESTRICTOR-ORIFICE Cat #: 26F20 Model/Part #: 26F2001 | 1 | (RFC II-60HZ ONLY) |
| | INSERT Cat #: 28C65 Model/Part #: 28C6501 | 1 | (OPTIONAL) |
| | FERRULE REPL PKG Cat #: 42C38 Model/Part #: 42C3801PR | 1 | (OPTIONAL) |
| | FERRULE REPL PKG Cat #: 45C71 Model/Part #: 45C7101PR | 1 | (OPTIONAL) |
| | UNION Cat #: 51A69 Model/Part #: 51A6901 | 1 | (OPTIONAL) |
| | UNION Cat #: 51A71 Model/Part #: 51A7101 | 1 | (OPTIONAL) |
| | DRIER Cat #: 58A63 Model/Part #: 58A6301 | 1 | SUCTION LINE |
| | FITTING-PRESS TAP Cat #: 60F11 Model/Part #: 60F1101 | 1 | FOR HI PRESS SWITCH |
| | BUSHING-SNAP Cat #: 62A32 Model/Part #: 62A3201 | 1 | "1""ID FOR 1-1/8""OPENING" |
| | MOUNT-PKG-COMP Cat #: 94H81 Model/Part #: 94H8101PR | 1 | MOUNT PKG-COMP |
| | DISTRIBUTOR Cat #: 87258 Model/Part #: P-8-10820 | 1 | DISCHARGE LINE |
| | CAP-SEAL Cat #: 66817 Model/Part #: P-8-1401 | 1 | FOR LOW PRESS SWITCH |
| | VALVE CORE Cat #: 66820 Model/Part #: P-8-1897 | 1 | "FOR 3/8"" SERVICE VALVE" |
| | CAP-SEAL Cat #: 58114 Model/Part #: P-8-3187 | 1 | "FOR 3/8"" SERVICE VALVE" |
| | GROMMET Cat #: 66287 Model/Part #: P-8-526 | 1 | "3/8""ID FOR 5/8""OPENING(60HZ ONLY)" |
| 10 | COIL-OUTDOOR Cat #: 63G38 Model/Part #: LB-49573AAB | 1 | COIL ASSY |

| Callout | Name | Quantity | Description |
|----------------|---------------------------------------------------------|-----------------|-----------------------------------------------|
| 13 | VALVE-SERVICE Cat #: 50F72 Model/Part #: 50F7201 | 1 | "LIQUID LINE,3/8""(OPTIONAL)" |
| 13 | VALVE-SERVICE Cat #: 64C67 Model/Part #: 64C6701 | 1 | "LIQUID LINE,3/8"" |
| 14 | VALVE-SERVICE Cat #: 96C65 Model/Part #: 96C6501 | 1 | "SUCTION LINE,5/8"" |
| 20 | SWITCH-HI PRESS Cat #: 44A97 Model/Part #: 96C2001 | 1 | CUTOUT 410PSIG |
| 21 | SWITCH-LO PRESS Cat #: 87265 Model/Part #: P-8-10978 | 1 | "CUTIN 55PSIG,CUTOUT 25PSIG (OPTIONAL)" |
| 22 | FAN Cat #: 95C59 Model/Part #: 95C5901 | 1 | "1/2"" BORE,18"" DIA,4 BLADE" |
| 23 | SHIELD-RAIN Cat #: 32621 Model/Part #: P-8-6142 | 1 | SHIELD, MOTOR |
| 24 | MOTOR-FAN Cat #: 47F99 Model/Part #: 47F9901 | 1 | "1/6HP,1075RPM,208- 230/60/1" |
| 25 | BRACKET-MTR MTG Cat #: 96C31 Model/Part #: 96C3101 | 1 | MOUNT-MOTOR |
| 35 | COMPRESSOR Cat #: 43G34 Model/Part #: 43G3401 | 1 | "3TON,200- 230/60/3,BRIS" |
| 35 | COMPRESSOR Cat #: 43G35 Model/Part #: 43G3501 | 1 | "3TON,200- 230/60/3,BRIS(OPT)" |

Note:

Note1: SEE EXPANSION VALVE CHART ON CRL CARD. Note2: SEE FIELD REPLACEMENT CRANKCASE HEATER CHART ON CRL CARD.